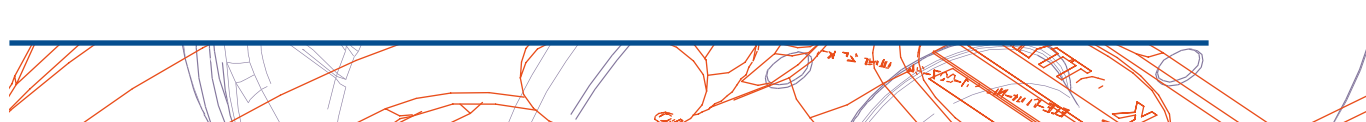




COUPLING HEAD.....	<b>3</b>
TOWING EYE.....	<b>13</b>
UNBRAKED DRAWBAR.....	<b>17</b>
OVERRUN DEVICE.....	<b>25</b>
ADJUSTABLE HEIGHT COUPLING.....	<b>35</b>
UNBRAKED AXLES.....	<b>41</b>
BRAKED AXLES.....	<b>49</b>
RIGID AXLES.....	<b>77</b>
AGRICULTURAL AXLE.....	<b>85</b>
SPIRAL SPRING AXLE.....	<b>91</b>
CHASSIS.....	<b>97</b>
CLAMP.....	<b>105</b>
PROP STAND & JOCKEY WHEEL.....	<b>111</b>
MUDGUARD.....	<b>130</b>
VEHICLE FASTENERS AND ACCESSORIES..	<b>141</b>
WINCHES, ROLLERS AND PLASTIC PARTS.	<b>155</b>
LIGHTING.....	<b>175</b>





# K 30-U UNIVERSAL BALL COUPLING

**FITS MOST TRAILERS!**



[www.autoflex.hu](http://www.autoflex.hu)



# COUPLING HEAD

[www.autoflex.hu](http://www.autoflex.hu)





## OUR COUPLERS

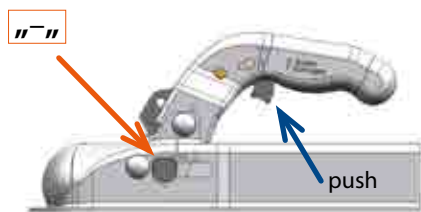
Autoflex-Knott couplers are safe and easy to use

**All Knott ball couplers are equipped with safety check indicator. The red-green-red label shows the position of the computer.**

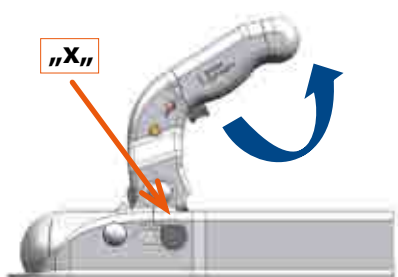
- (red) uncoupled
- + (green) coupled
- x (red) open



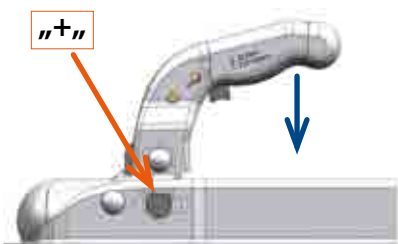
1. Uncoupled (empty)



2. Open



3. Coupled (pushed)



### Uncoupling:

Push the trigger and pull the coupling handle upwards. The coupling is now released and will automatically remain open during which the indicator button stays in the red field with the large "X" in it.

**Do not drive the trailer in this position!**

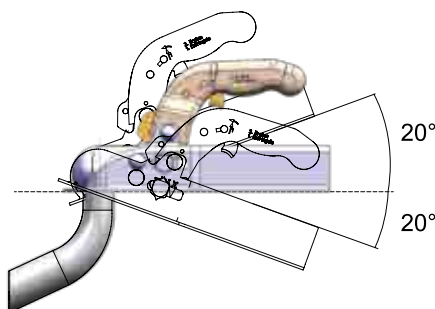
### Coupling:

Place the ball coupler (that should be in an open position marked with X) on the top of the hitch-ball of the tow vehicle, which, if applied correctly, produces a short clicking sound. When the ball coupler is adjusted properly, the indicator automatically jumps to the green zone marked with (+).

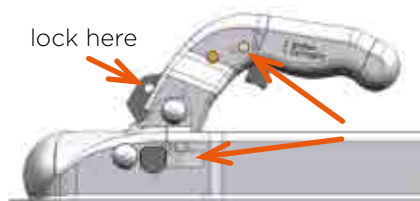
If the indicator is in the red zone marked with (-), the coupling is not applied properly on the tow vehicle. In this case it is prohibited to tow the trailer!

For more information, please read the service book.

The ball coupler's pivot range is max  $\pm 25^\circ$  around the vehicle's longitudinal axis. It can swing within a range of  $\pm 20^\circ$  on the horizontal plane.



The coupler can be blocked in both disconnected and connected state.



### Advantages:

- material steel plate or cast iron
- surface treatment galvanization
- the product went through a 500 hours salt spray test
- comfortable to handle (different types are available)
- easy to use with the trigger
- lockable in both disconnected and connected state
- has a safe construction

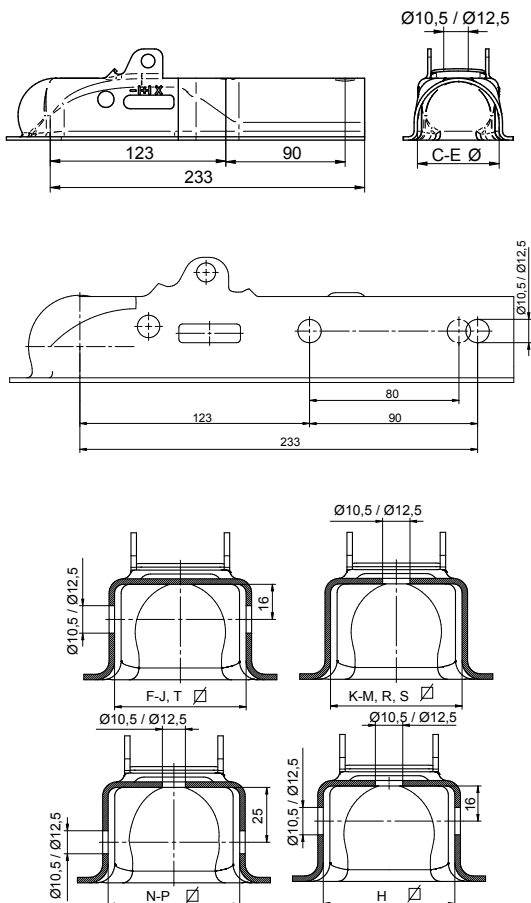
### Additional parts:

- plug holder
- coupler lock
- protector
- safety ball



# K 7,5 Coupling head for ISO/50

Type	Joint size (mm)	ECE number	Art. number
K7.5 CN3	Ø 50 vertical	55R-01 1040	6E0083.023
K7.5 DN3	Ø 60 vertical	55R-01 1040	6E0083.029
K7.5 EN3	Ø 70 vertical	55R-01 1040	6E0083.033
K7.5 FN3	Ø40 horizontal	55R-01 1040	6E0081.005
K7.5 GN3	Ø45 horizontal	55R-01 1040	6E0081.013
K7.5 HN3	Ø50 horizontal	55R-01 1040	6E0081.021
K7.5 IN3	Ø60 horizontal	55R-01 1040	6E0081.031
K7.5 JN3	Ø70 horizontal	55R-01 1040	6E0081.037
K7.5 KN3	Ø50 vertical	55R-01 1040	6E0081.045
K7.5 LN3	Ø60 vertical	55R-01 1040	6E0081.053
K7.5 MN3	Ø70 vertical	55R-01 1040	6E0081.061
K7.5 NN3	Ø50 horizontal / vertical	55R-01 1040	6E0081.072
K7.5 ON3	Ø60 horizontal / vertical	55R-01 1040	6E0081.080
K7.5 PN3	Ø70 horizontal / vertical	55R-01 1040	6E0081.088
K7.5 RN3	Ø45 vertical	55R-01 1040	6E0081.090
K7.5 SN3	Ø40 vertical	55R-01 1040	6E0081.091



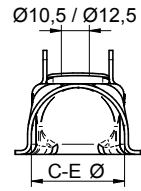
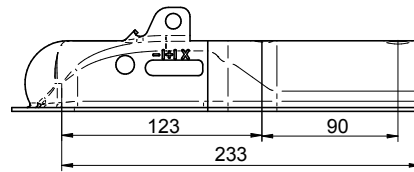
**Max. load capacity: 750 kg**  
**D-value: 7,2 kN**  
**Vert. load capacity: 75 kg**  
**Material: steel**





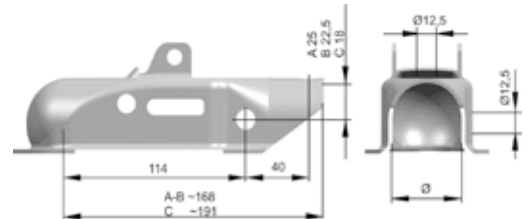
## K 14 Coupling head for ISO/50

Type	Joint size (mm)	ECE number	Art. number
K14 AN3	Ø 50 vertical	55R-01 0505	6E0031.002
K14 BN3	Ø 60 vertical	55R-01 0505	6E0031.004
K14 CN3	Ø 70 vertical	55R-01 0505	6E0031.006



## KK 14 Coupling head for ISO/50

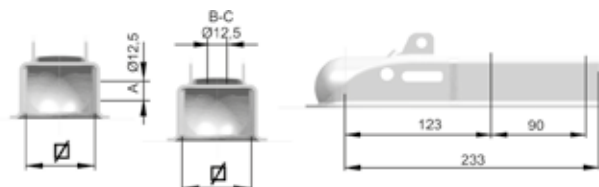
Type	Joint size (mm)	ECE number	Art. number
KK14 AN3	Ø 50 horizontal / vertical	55R-02 3170	6E0040.002
KK14 BN3	Ø 45 horizontal / vertical	55R-02 3170	6E0040.004
KK14 CN3	Ø 36 horizontal / vertical	55R-02 3170	6E0040.006



**Max. load capacity: 1400 kg**  
**D-value: 13,2 kN**  
**Vert. load capacity: 100 kg**  
**Material: steel**

## KQ 14 Coupling head for ISO/50

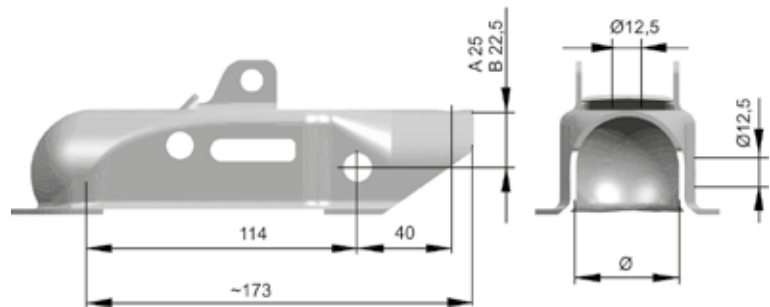
Type	Joint size (mm)	ECE number	Art. number
KQ14 AN3	Ø 50 horizontal	55R-01 0510	6E0042.004
KQ14 BN3	Ø 60 vertical	55R-01 0510	6E0042.006
KQ14 CN3	Ø 70 vertical	55R-01 0510	6E0042.010





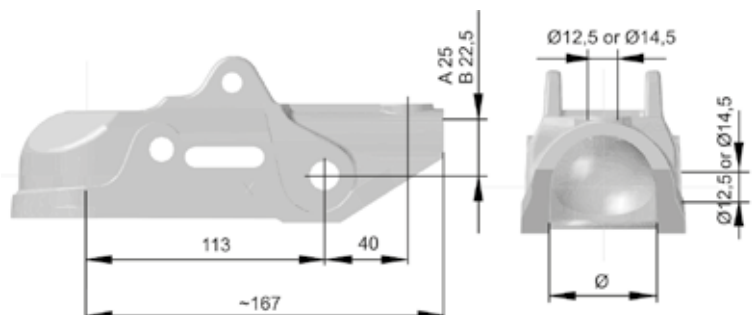
## K 20 Coupling head for ISO/50

Type	Max. load capacity	D-Value	Vert. load capacity	Joint size (mm)	Material	ECE number	Art. number
K20 AN3	2000 kg	18,5 kN	100 kg	Ø 50 horiz./vert.	steel	55R-02 2094	6E0045.002
K20 BN3	2000 kg	18,5 kN	100 kg	Ø 45 horiz./vert.	steel	55R-02 2094	6E0045.004



## K 27 Coupling head for ISO/50

Type	Joint size (mm)	ECE number	Art. number
K27 AN3	Ø 50 horizontal / vertical	55R-02 2122	6E0019.004
K27 BN3	Ø 45 horizontal / vertical	55R-02 2122	6E0019.008
K27 SA	Ø 50 horizontal / vertical	55R-02 2122	6E5302.001

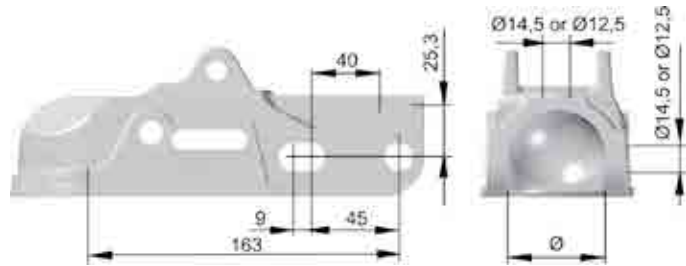


**Max. load capacity: 2700 kg**  
**D-value: 25 kN**  
**Vert. load capacity: 250 kg**  
**Material: cast iron**



## K 30U Coupling head for ISO/50

Type	Joint size (mm)	ECE number	Art. number
K30 UN3	Ø 50 horiz./vert. (12.5)	55R-02 2507	6E0350.001
K30 UN3	Ø 50 horiz./vert. (12.5)	55R-02 2507	6E0350.002



**Max. load capacity: 3000 kg**  
**D-value: 27 kN**  
**Vert. load capacity: 300 kg**  
**Material: cast iron**

## AV 30, 35 Coupling head for ISO/50

Type	Joint size (mm)	X size (mm)	Y size (mm)	ECE number	Art. number
AV 30A	Ø 50 horiz./vert.	Ø 12,5	Ø 12,5	55R-01 1521	202980.001
AV 30A	Ø 50 horiz./vert.	Ø 14,5	Ø 12,5	55R-01 1521	202980.002
AV 30A	Ø 50 horiz./vert.	Ø 14,5	Ø 14,5	55R-01 1521	202980.003
AV 35	Ø 60 horiz./vert.	Ø 14,5	Ø 14,5	55R-01 1520	206044.002

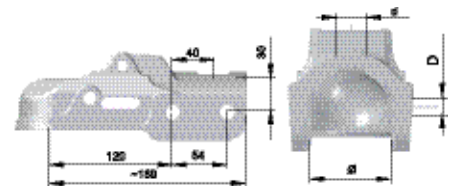
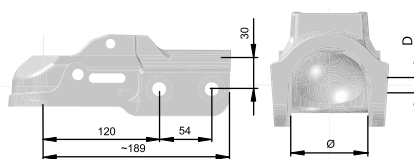
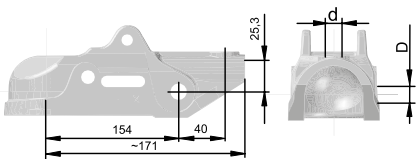






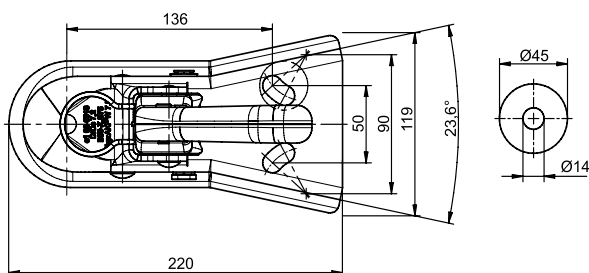
## K 35 Coupling head for ISO/50

Type	Max. load capacity	D-Value	Vert. load capacity	Joint size (mm)	d	D	Material	ECE number	Art. number
K35 AN3	3500 kg	31 kN	200 kg	Ø 50 horiz./vert.	12,5	12,5	cast iron	55R-02 2121	6E0018.004
K35 BN3	3500 kg	31 kN	200 kg	Ø 45 horiz./vert.	12,5	12,5	cast iron	55R-02 2121	6E0018.010
K35 CN3	3500 kg	31 kN	250 kg	Ø 60 horizontal	14,5	14,5	cast iron	55R-02 2121	6E0077.002
K35 CN3	3500 kg	31 kN	250 kg	Ø 60 horiz./vert.	14,5	14,5	cast iron	55R-02 2121	6E5356.001



## AKFW 7,5 Coupling head for ISO/50

Type	Max. load capacity	D-value	Vert. load capacity	Joint size (triangle)	Material	ECE number	Art. number
AKFW7,5 BN3	750 kg	7,2 kN	75 kg	23,6°2 x vertical	steel	55R-01 2468	6E0071.001
AKFW7,5 AN3	750 kg	7,2 kN	75 kg	34,6°2 x vert./horiz.	steel	55R-01 2468	6E0176.001

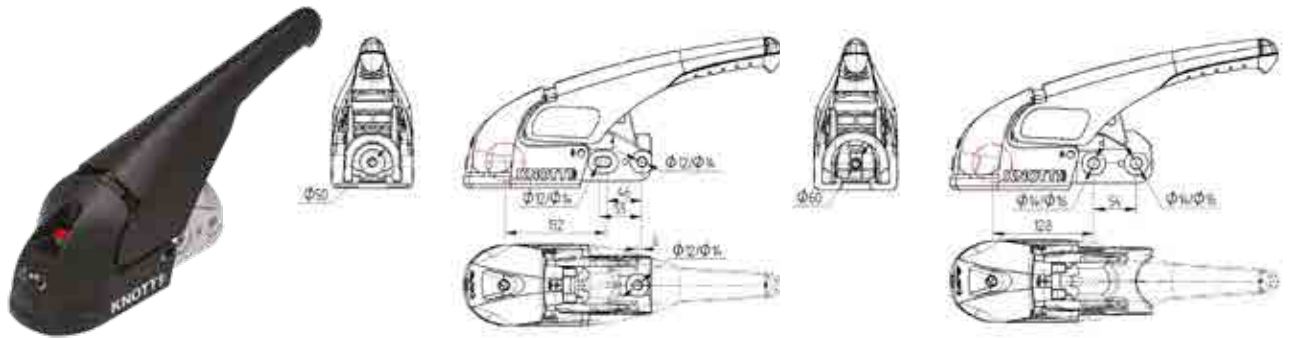




## KS 25-30-35 Coupling head

Type	Max. load capacity	D-value	Max. vert. load capacity	Joint size (mm)	Material	ECE number	Art. number
KS 25	2500 kg	27 kN	250 kg	50	cast iron	55R-01 2928	210197.003
KS 30	3000 kg	27 kN	300 kg	50	cast iron	55R-01 2930	209927.003
KS 35	3500 kg	31 kN	350 kg	60	cast iron	55R-01 2931	210207.001

**USER MANUAL**



## WK 30-35 Coupling head

Type	Max. load capacity	D-value	Max. vert. load capacity	Joint size (mm)	Material	ECE number	Art. number
WK 30-A	3000 kg	27 kN	300 kg	50	cast iron	55R-01 2051	6E0415.001
WK 35-A	3500 kg	27 kN	350 kg	60	cast iron	55R-01 2052	6E0492.001

### WK 30-A



### WK 35-A



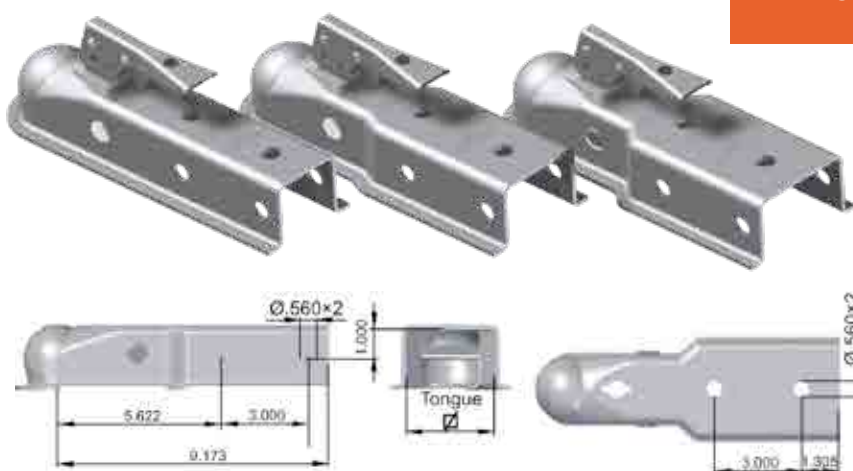


## 2" Coupling head

Trailer capacity	Ball size (inch)	Vert. load capacity	Tongue (inch)	Art. number
3500 lbs	2"	165 lbs	2"	6X1393.008
3500 lbs	2"	165 lbs	2 ½"	6X1393.009
3500 lbs	2"	165 lbs	3"	6X1393.010

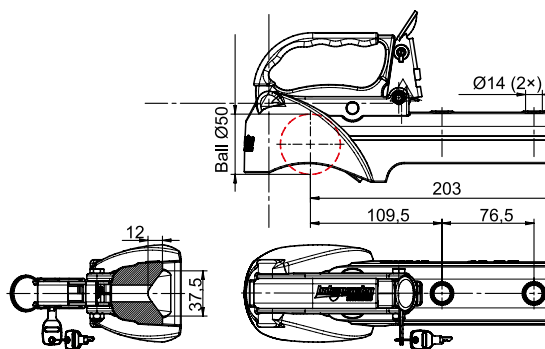
These type of couplers are sold on the USA market.

**SAE Class: II**  
**Construction: stamped steel**



## BQ 27 Coupling head

Type	Max. load capacity	D-value	Vert. load capacity	Material	ECE number	Art. number
BQ-27	2700 kg	24,43 kN	150 kg	cast iron	55R-01 1478	6E0286.001



**Lockable**  
**Soft dock + lock included**



## COUPLING HEAD ACCESSORIES

N°	Description	Colour	Used for	Art. number
1	Soft dock	black	K27, K35	6X0078.001
2	Soft dock	black	K7,5, KK14-K20	6X0078.002
3	Soft dock	blue	K7,5, KK14-K20	6X0078.006
4	Soft dock	black	sheet 2,5 mm	6X0078.008
5	Safety ball	blue	all	203467.001



Customer logo is available



1



2



3



4



5

## Locks for coupling heads

N°	Description	Coupling head type	Art. number
1	Lock for coupling head VZ-2,5	K7,5	6X0002.001
2	Lock for coupling head VZ-4	K14, KQ14, KK14	6X0002.002
3	Lock for coupling head VZ-5	K20	6X0002.003
4	Lock for coupling head	K27, K35	6X0002.004
5	Lock for coupling head VZ-12	K27, K35	6X0002.005
6	Lock for coupling head	all	6X0002.011
7	Lock for coupling head	KS25, KS30, KS35	210174.001



1



2



3



4



5



6



7

This lock is designed to fit into all coupling head with a keyhole shape slot in the handle and will prevent the handle from being lifted to release the coupling.



# TOWING EYE

[www.autoflex.hu](http://www.autoflex.hu)

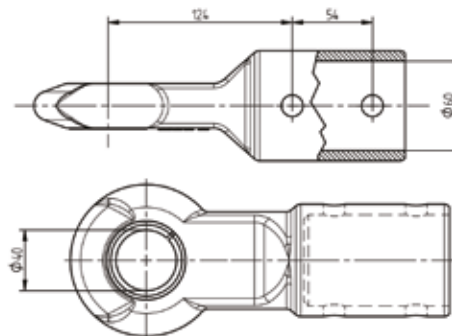
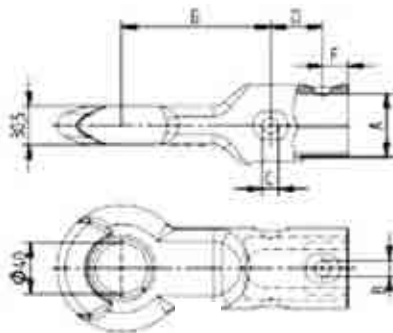




## TOWING EYE For all overrun coupling DIN Version

N°	A (Ø mm)	B (Ø mm)	C (Ø mm)	D (mm)	F (mm)	G (Ø mm)	ECE number	Art. number
1	45	12,5	12,5	40	20	115	55R-01 2026	98761693
1	50	12,5	12,5	40	20	115	55R-01 2026	98949393
1	50	14,5	14,5	40	20	115	55R-01 2026	98761993
1	50	12,5	14,5	40	20	115	55R-01 2026	98949493
2	60	14,5	14,5	54	22	124	55R-01 0681	98762093

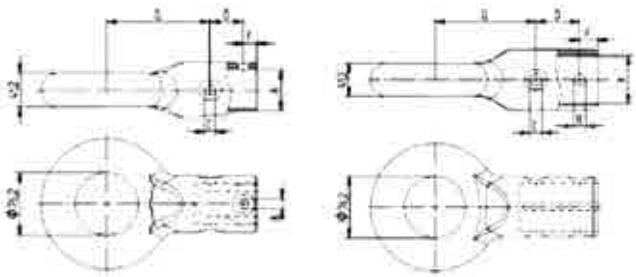
**Type: DIN 74054-40 A**  
**Max. load capacity: 3500 kg**  
**D-value: 31 kN**  
**Vertical load: 350 kg**  
**Material: forged steel**





## NATO Version

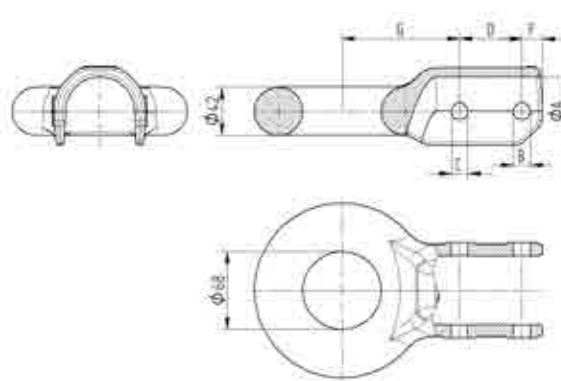
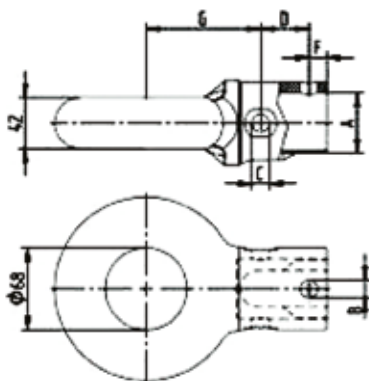
N°	A (Ø mm)	B (Ø mm)	C (Ø mm)	D (mm)	F (mm)	G (Ø mm)	ECE number	Art. number
1	45	12,5	12,5	40	16	124	55R-01 2124	98762193
1	50	12,5	12,5	40	16	124	55R-01 2124	9896059X
1	50	14,5	14,5	40	16	124	55R-01 2124	98762793
2	60	14,5	14,5	54	22	124	55R-01 2123	98762393



**Type: NATO VG 74059**  
**Max. load capacity: 3500 kg**  
**D-value: 31 kN**  
**Vertical load: 350 kg**  
**Material: forged steel**

## FRENCH Version

N°	A (Ø mm)	B (Ø mm)	C (Ø mm)	D (mm)	F (mm)	G (Ø mm)	ECE number	Art. number
1	50	12,5	12,5	40	20	110	55R-01 2272	6BK522.001
1	50	12,5	14,5	40	20	110	55R-01 2272	6BK522.002
1	50	14,5	14,5	40	20	110	55R-01 2272	6BK522.003
2	60	14,5	14,5	54	20	102	55R-01 2173	207045.001



**Max. load capacity: 3500 kg**  
**D-value: 31 kN**  
**Vertical load: 350 kg**  
**Material: forged steel**

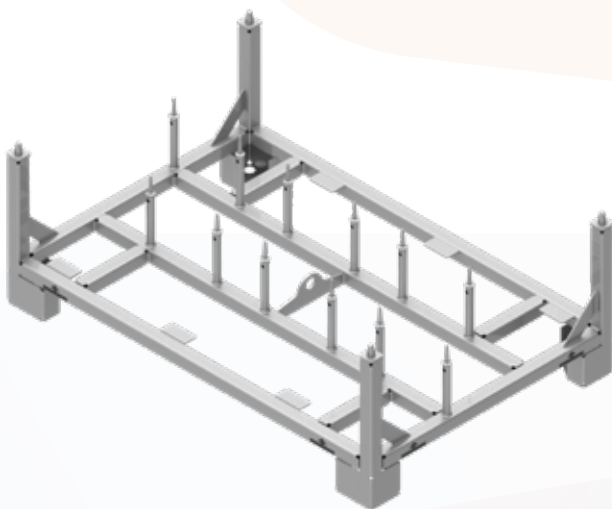
# OUR PACKING METHOD WILL CHANGE IN THE FUTURE!

**We will use metal cages in the name of sustainability.**

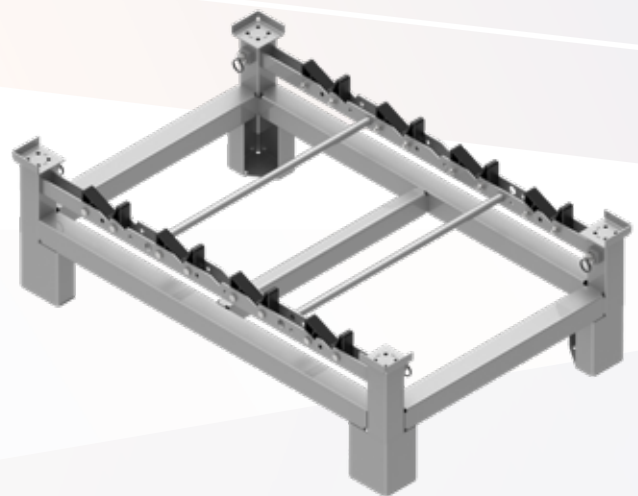
What are the advantages of the metal cages?

- they protect the materials, the products and the devices stored in them from all external influences and any possible damage
- thanks to their extraordinary durability, they have a long service life; in addition, most versions can be repaired and modified, thus by deploying them we can protect the environment
- thanks to their wheels, they can be easily moved, so they can be used not only for storage, but also for transportation
- they are economical, as they are made of metal instead of wood, meaning they can be used several times

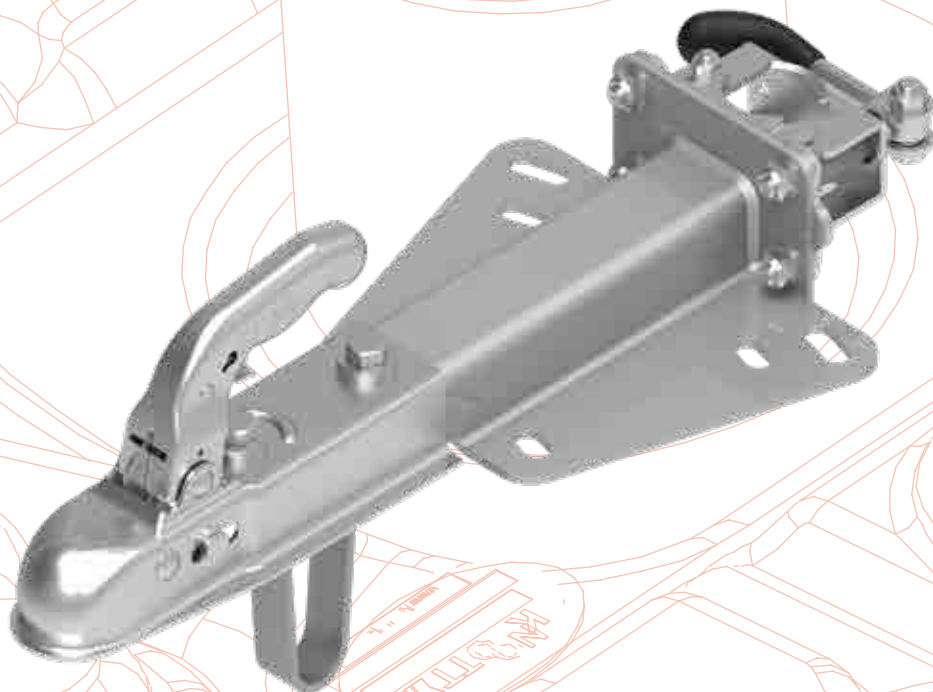
**Art. number: 6BJ106.001**



**Art. number: 6BG722.001**







# UNBRAKED DRAWBAR

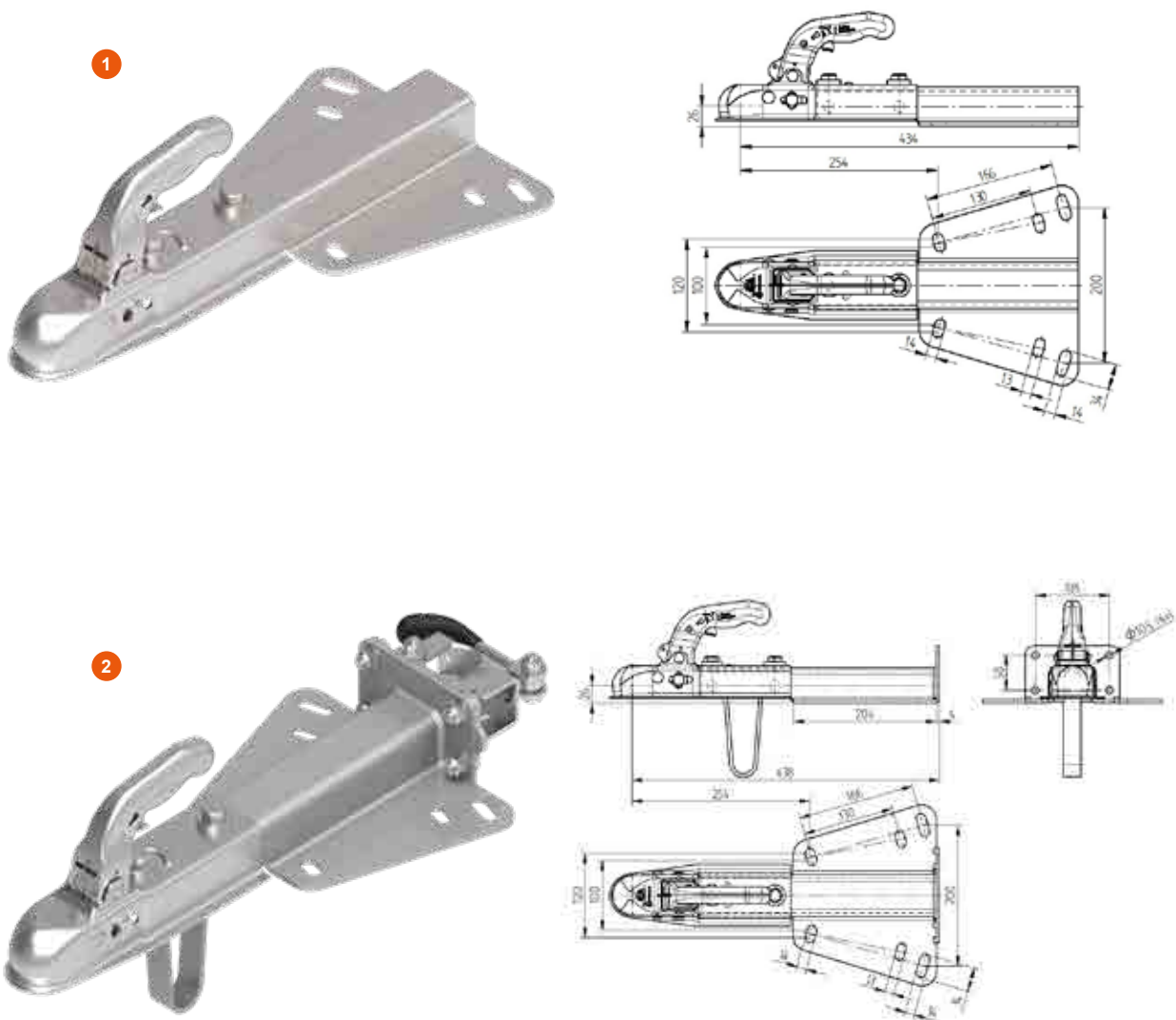
[www.autoflex.hu](http://www.autoflex.hu)





## KZE 7,5 V flange drawbar

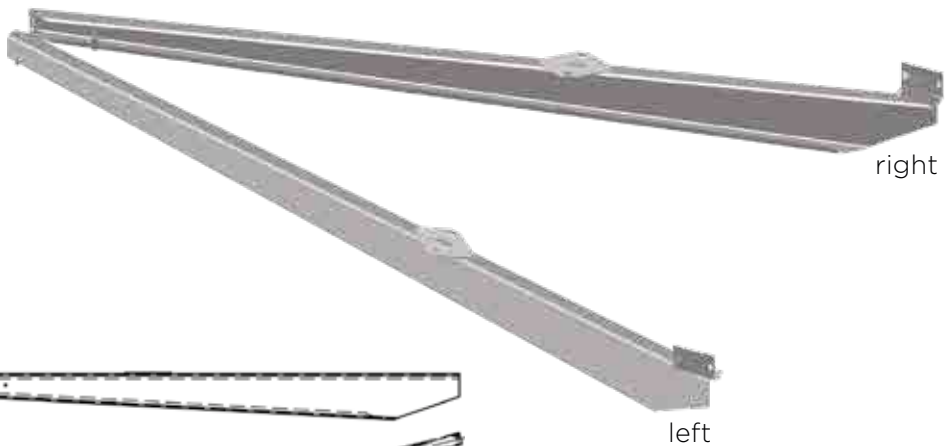
N°	Type	Coupling head	Dc-value (kN)	Vertical load 'S' (max. kg)	GVWR (kg)	ECE number	Art. number
1	KZE 7,5	K7,5 L	7,2	75	750	55R-02 1530	6BG801.001
1	KZE 7,5	KQ14 BN 3	7,2	75	750	55R-02 1530	6BG801.002
2	KZE 7,5	K7,5 LN 3	7,2	75	750	55R-02 1530	6BH344.001
2	KZE 7,5	K7,5 LN 3	7,2	75	750	55R-02 1530	6BH344.002
2	KZE 7,5	K7,5 LN 3	7,2	75	750	55R-02 1530	6BH344.006



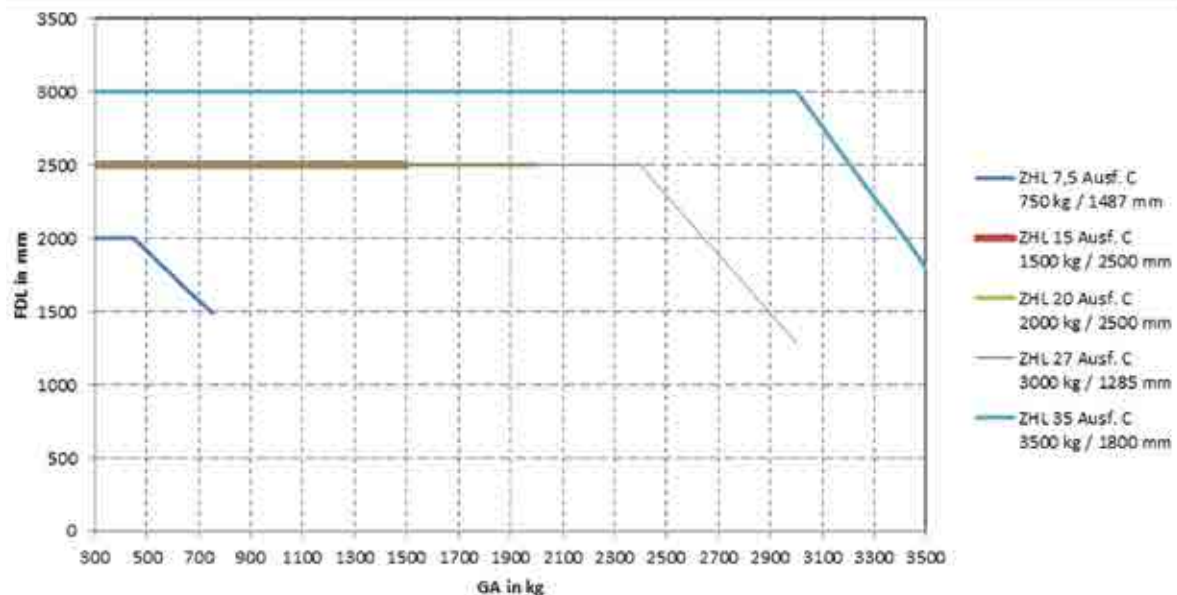
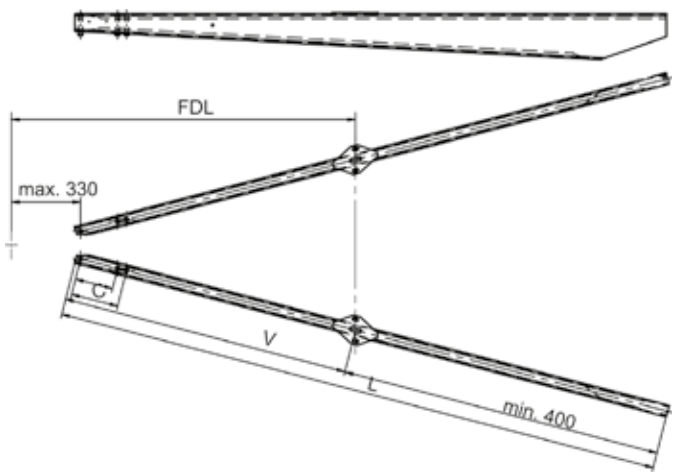


## A-frame drawbar (welded version)

Type	D-value (kN)	Vert. load (max. kg)	FDL	C (mm)	V (mm)	ECE number	Drawing number (recommendation)
ZHL 15	17	100	1500 kg/2500 mm	130/166	1195	55R-01 0565	6A4719
ZHL 20	22	100	2000 kg/2500 mm	166/207	931	55R-01 0579	6A5280
ZHL 27	31	300	3000 kg/1285 mm	166/207	1023	55R-01 0300	6A4003
ZHL 35	31	350	3500 kg/1800 mm	166/207	1260	55R-01 0729	6A4790



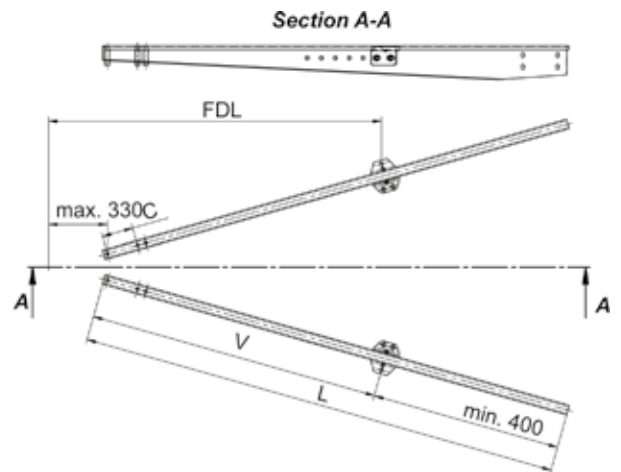
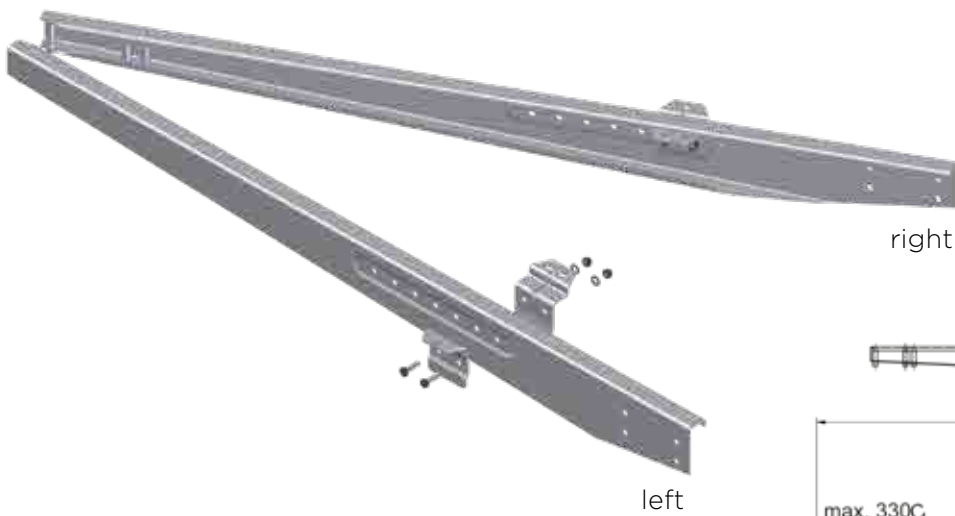
**Version: C**



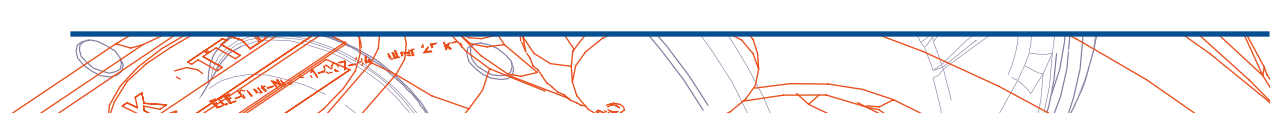
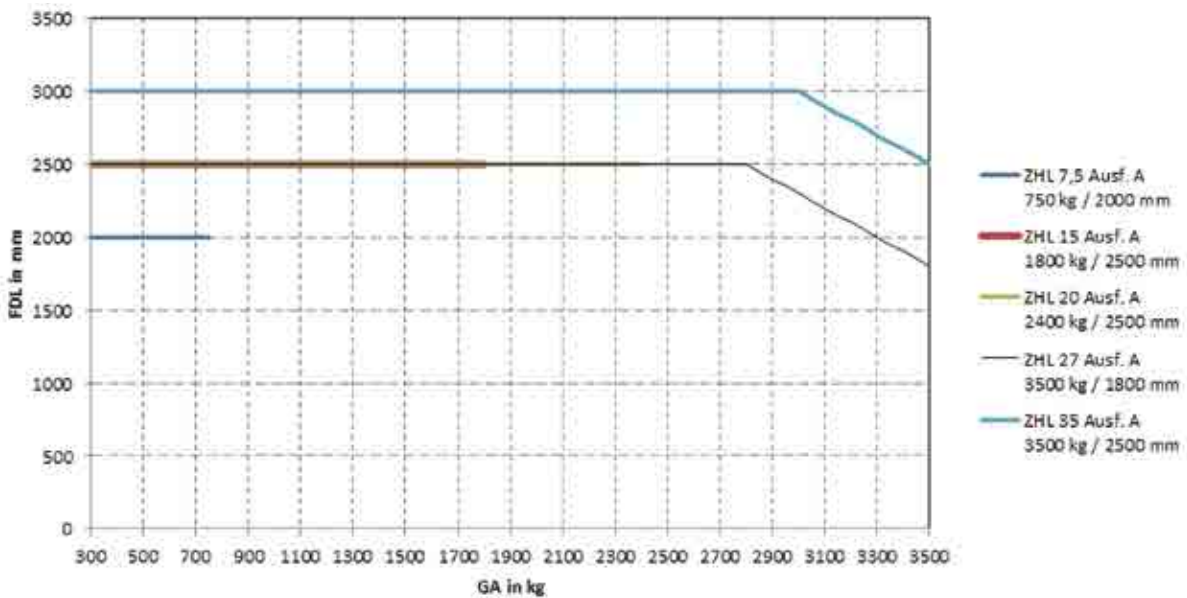


# A-frame drawbar (mountable version)

Type	D-value (kN)	Vert. load. (max. kg)	FDL	C (mm)	V (mm)	ECE number	Drawing number (recommendation)
ZHL 7,5	7,2	75	750 kg/2000 mm	130 or 166	1267	55R-01 1960	6B4465
ZHL 15	17	100	1800 kg/2500 mm	130 or 166	910-1210	55R-01 0565	6A4507
ZHL 20	22	100	2400 kg/2500 mm	166 / 207	910-1210	55R-01 0579	6A1136
ZHL 27	31	300	3500 kg/1800 mm	166 / 207	910-1210	55R-01 0300	6A1176
ZHL 35	31	350	3500 kg/2500 mm	166 / 207	1130-1430	55R-01 0729	6A2775



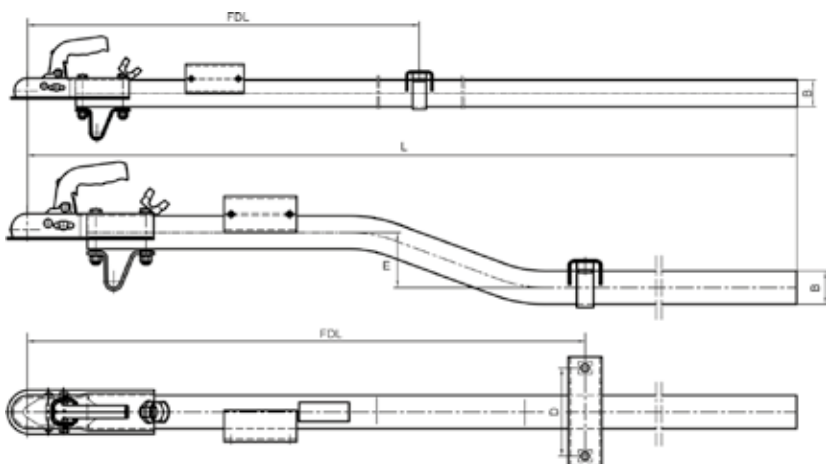
**Version: A**  
**L (min-max): 1500 - 3000 mm**



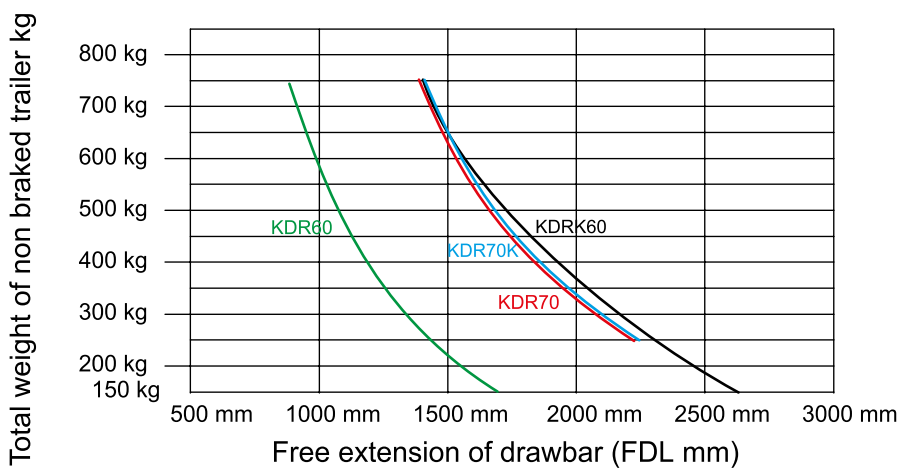


# Round drawbar

Type	E (mm)	FDL (mm)	D (mm)	B (mm)	"L" (mm)		ECE number	Art. number
					standard	max.		
KDR 70	-	1390	160	Ø 70x4	2000	6108	55R-01 0887	6A1246.004
KDRK 70 cranked	100	1365	160	Ø 70x4	2000	5800	55R-01 0947	6A1248.001



**Coupling head: K14CN3**  
**Vert. load: 75 kg**  
**GVWR: 750 kg**





## KDVU 60 Square drawbar

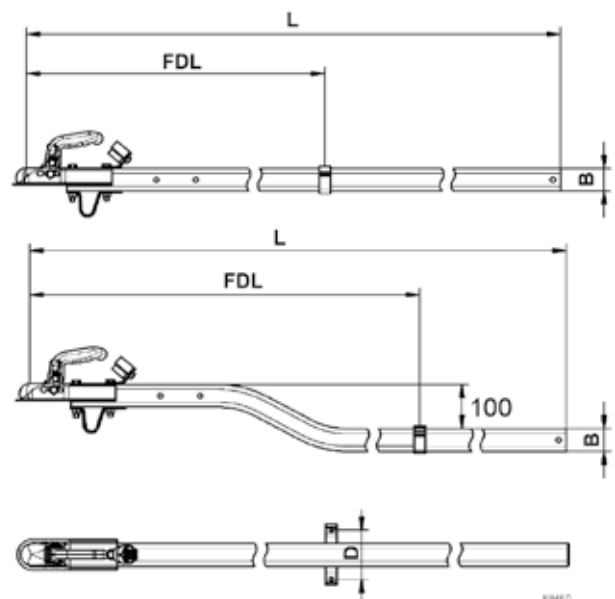
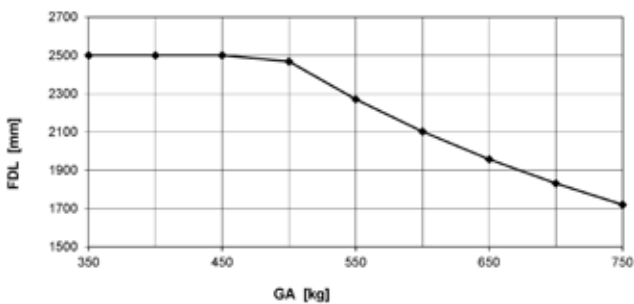
Type	FDL (mm)	D (mm)	B (mm)	L (mm)	Art. number
KDVU 60-B	1227	130	60x60x3	2000	205601.001
KDVU 60-B	1227	130	60x60x3	2500	205601.002
KDVU 60-B	1227	130	60x60x3	3000	205601.003

Type	FDL (mm)	D (mm)	B (mm)	L (mm)	Art. number
KDVU 60-B cranked	1227	130	60x60x3	2000	205930.001
KDVU 60-B cranked	1227	130	60x60x3	2500	205930.002
KDVU 60-B cranked	1227	130	60x60x3	3000	205930.003

**Coupling head: K7,5 LN3**  
**Vert. load: 75 kg**  
**GVWR: 750 kg**  
**ECE-number: 55R-01 1877**



KDVU60 - B



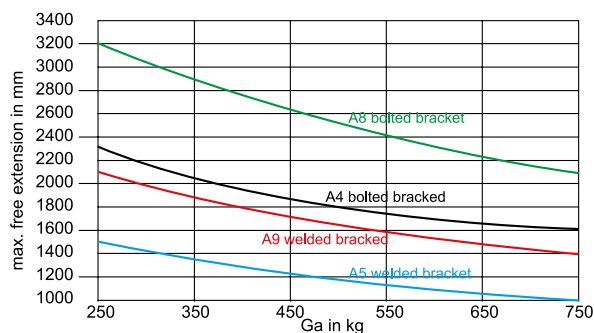
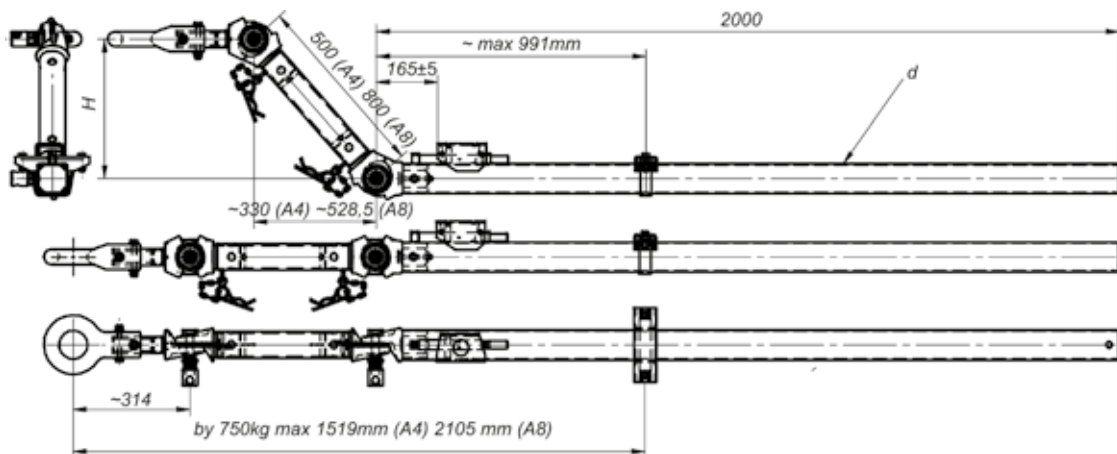


## KDVV 7,5 Adjustable height drawbar

Type	Coupling	Adjustable Height H (mm)	d (mm)	Art. number
KDVV 7,5 A4	NATO 45	375	80x80x3	6G0020.100
KDVV 7,5 A4	DIN 45	375	80x80x3	6G0020.110
KDVV 7,5 A4	KK14 BN3	375	80x80x3	6G0020.120
KDVV 7,5 A8	NATO 45	600	80x80x4	6G0021.100
KDVV 7,5 A8	DIN 45	600	80x80x4	6G0021.110
KDVV 7,5 A8	KK14 BN3	600	80x80x4	6G0021.120



**Vert. load: 100 kg**  
**GVWR: 750 kg**  
**ECE number: 55R-01 1271**



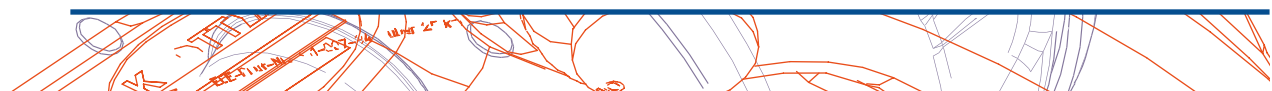
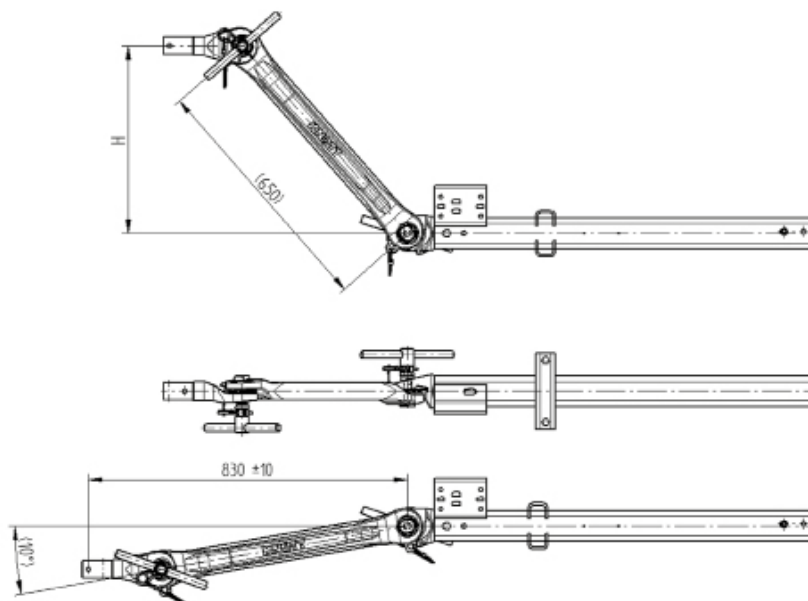


## AHG 7,5 Adjustable height drawbar

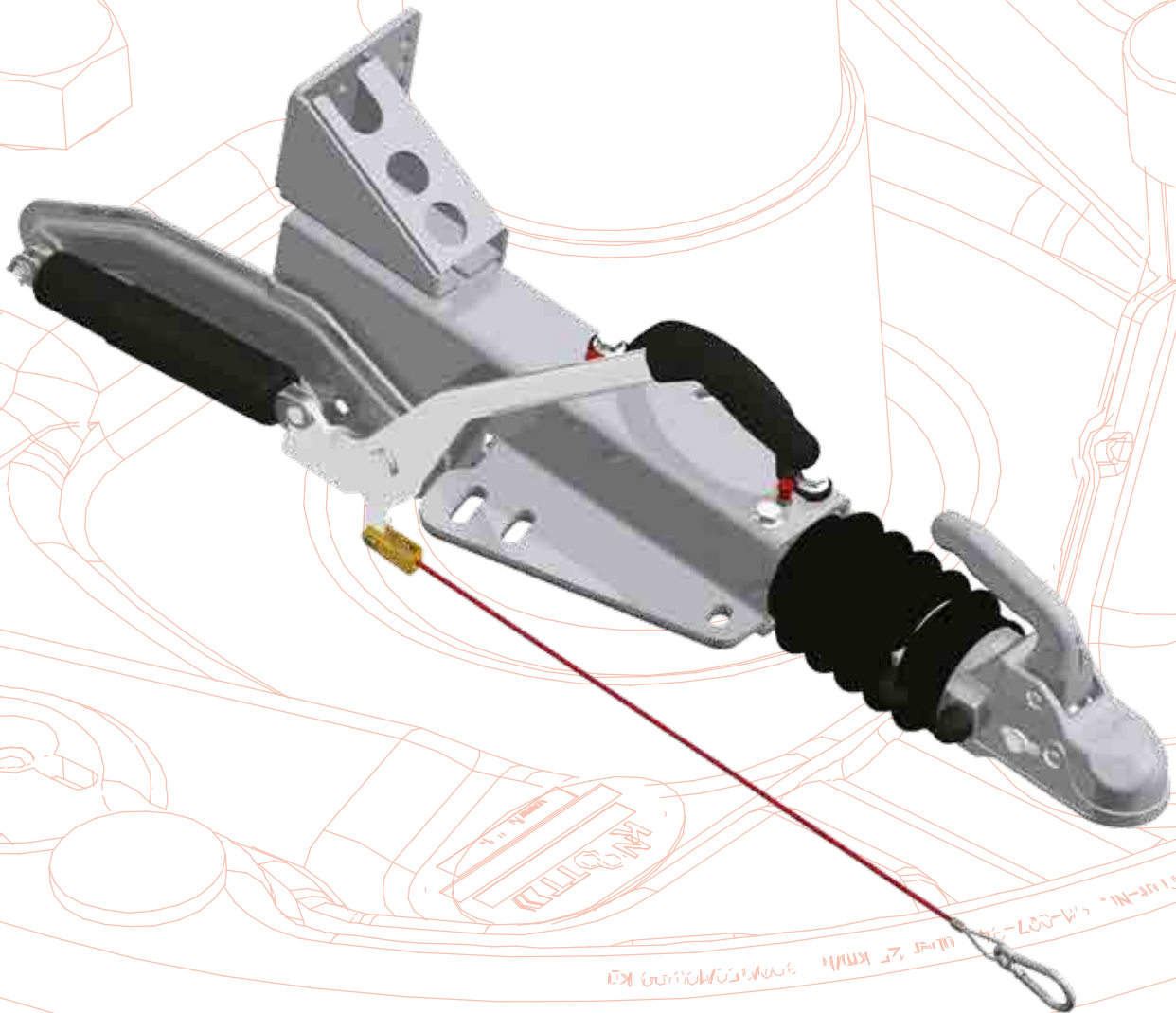
Type	Coupling	Adjustable Height H (mm)	d (mm)	Art. number
AHG 7,5 A4	no	500	80x80x4	6G1352.001



**Vert. load: 75 kg**  
**GVWR: 750 kg**  
**ECE-number: E7-55R-01 2102**







# OVERRUN DEVICE

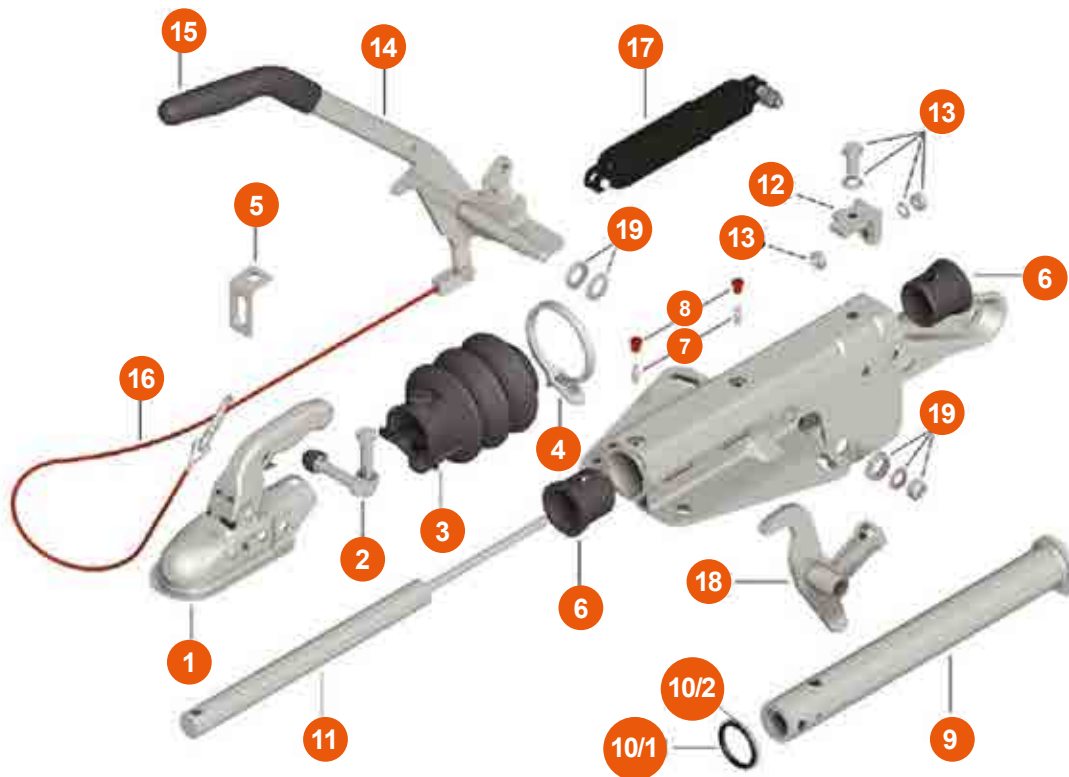
[www.autoflex.hu](http://www.autoflex.hu)



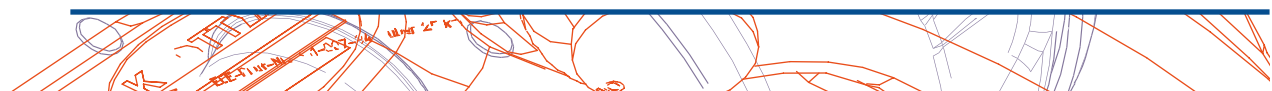


## SPARE PARTS

for overrun coupling (KF 13-27)



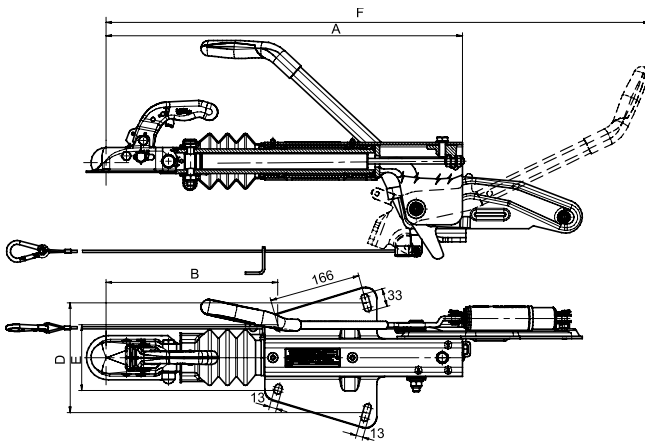
N°	Description
1	Coupling head
2	Hexagon head bolt
3	Rubber bellows KF13-KF27
4	Tie wrap
5	Bracket for breakaway cable
6	Guide bearing
7	Greasing nipple
8	Greasing nipple cap
9	Drawtube
10/1	Rubber stop ring
10/2	Support ring
11	Gas-filled shock absorber
12	Shock absorber bracket KF13-KF27
13	Hexagon head bolt kit
14	Hand-brake assembly
15	Handgrip
16	Breakaway cable (complete) l=1200
17	Handbrake energy store
18	Transmission lever, complete
19	Washer
20	Hexagon head bolt kit





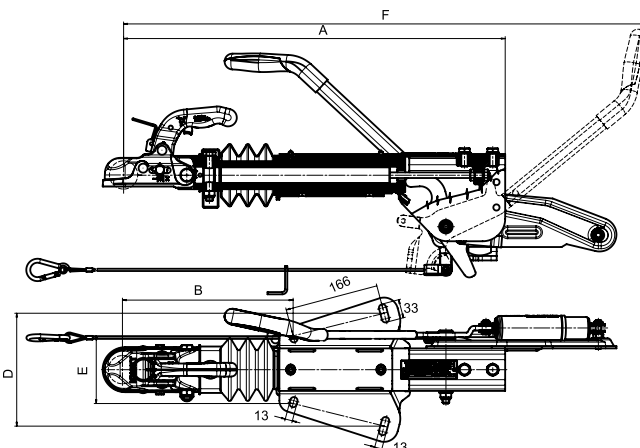
## KF 7,5 - 20 Overrun A-frame coupling

Type	Coupling head	Vertical load 'S' (max. kg)	GVWR (kg)	A (mm)	B (mm)	D (mm)	E (mm)	F (mm)	ECE number	Art. number
KF 7,5 C	KK14 BN3	75	750	649	313	200	110	990	55R-01 2073	6J1356.502
KF 13 C	KK14 BN3	100	1300	649	313	200	110	990	55R-01 2073	6J1060.502
KF 20 A	K20 BN3	100	2000	649	313	200	110	990	55R-01 2073	6J1191.507



## KF 27 - 30 Overrun A-frame coupling

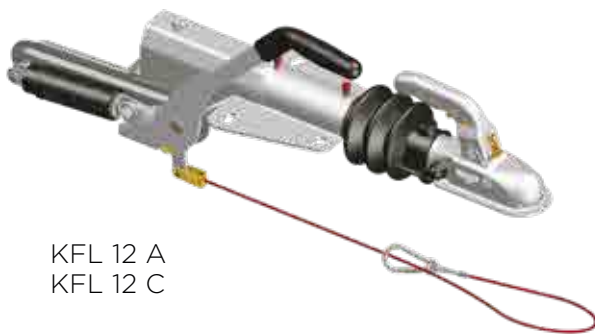
Type	Coupling head	Vertical load (max. kg)	GVWR (kg)	A (mm)	B (mm)	D (mm)	E (mm)	F (mm)	ECE number	Art. number
KF 27 A1	K27 AN3	150	2700	676	302	200	110/120	925	55R-01 2063	6J2200.004
KF 30 C	K35 AN3	150	3000	682	313	200	110/120	946	55R-01 2066	205244.001



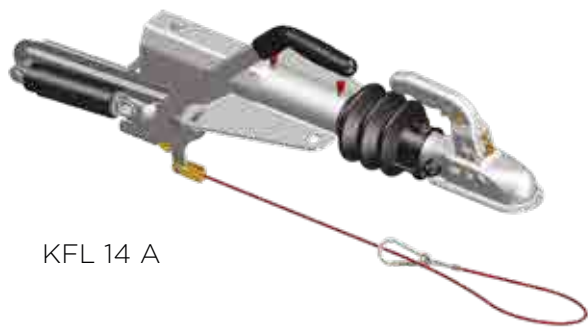


## KFL 12 - 14 Overrun A-frame coupling

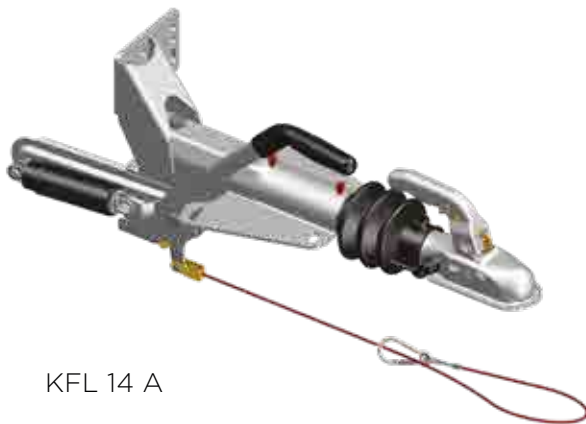
Type	Coupling head	Vertical load 'S' (max. kg)	GVWR (kg)	A (mm)	B (mm)	C (mm)	D (mm)	E (mm)	F (mm)	ECE number	Art. number
KFL 12 C	KK14 BN3	100	450-750	588	288	130	158	100/110	804	55R-01 1590	204005.001
KFL 12 A	KK14 BN3	100	750-1300	588	288	130	158	100/110	858	55R-01 1590	203595.001
KFL 14 A	KK14 BN3	100	750-1400	588	288	166	200	100/120	810	55R-01 1590	205521.001
KFL 14 A	KK14 BN3	100	750-1400	588	288	166	200	100/120	810	55R-01 1590	205800.001



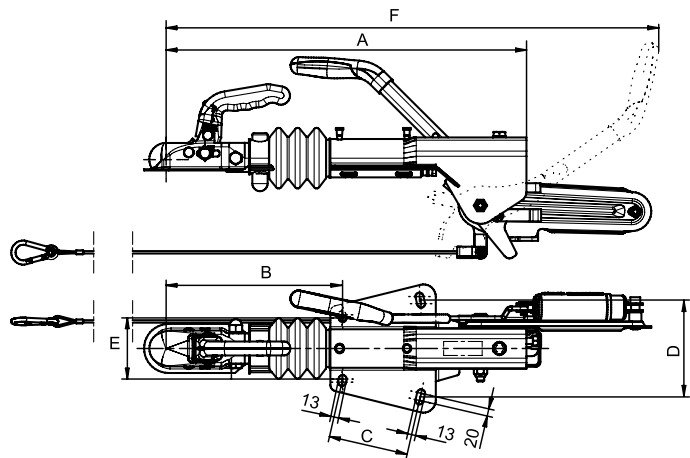
KFL 12 A  
KFL 12 C



KFL 14 A



KFL 14 A



**With bracket for jockey wheel**

**Coupling head: KK14 BN3**  
**Vert. load: 100 kg**  
**ECE-number: 55R-01 1590**  
**Model: GF**

**The overrun device can be ordered either with DIN or with NATO eye.**





# KFL 20 - 27 GFV Overrun A-frame coupling

Type	Coupling head	Vertical load 'S' (max. kg)	GVWR (kg)	A (mm)	B (mm)	D (mm)	E (mm)	F (mm)	ECE number	Art. number
KFL 20 A	K24 N3	100	2000	670	296	200	110/120	764	55R-01 1950	205179.001
KFL 20 B	K24 N3	100	2400	670	296	200	110/120	824	55R-01 1950	206174.001
KFL 27 A	K27 AN3	150	669	299	200	110/120	833	55R-01 2116	206606.001	



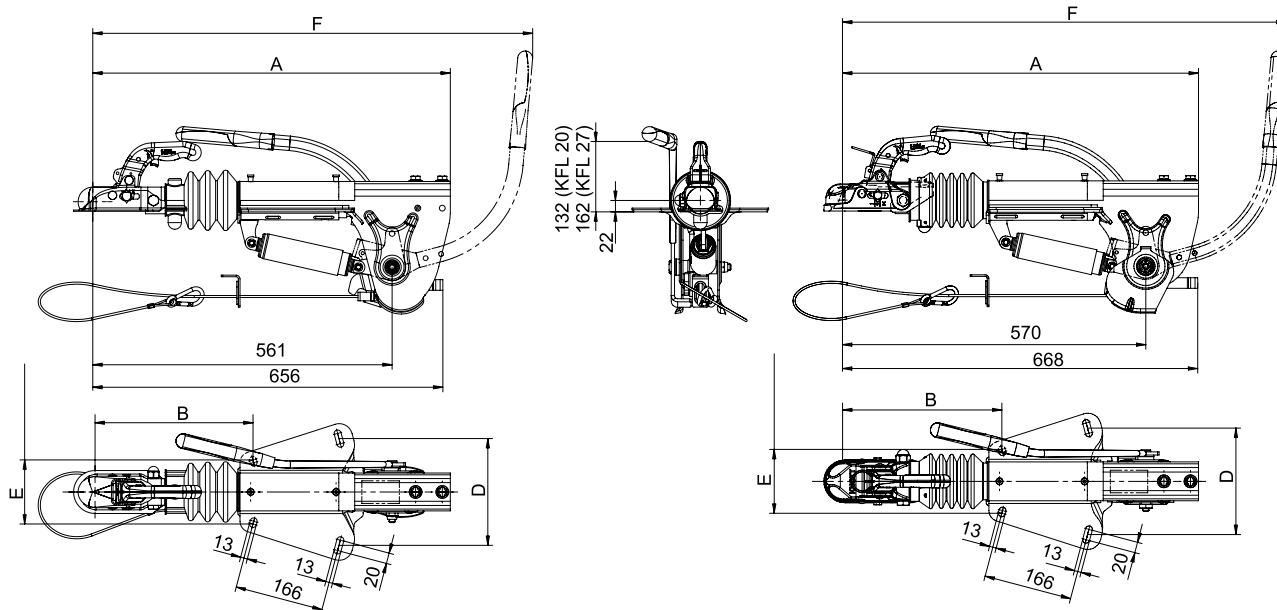
KFL 20



KFL 27

**With bracket for jockey wheel**

**The overrun device can be ordered either with DIN or with NATO eye.**

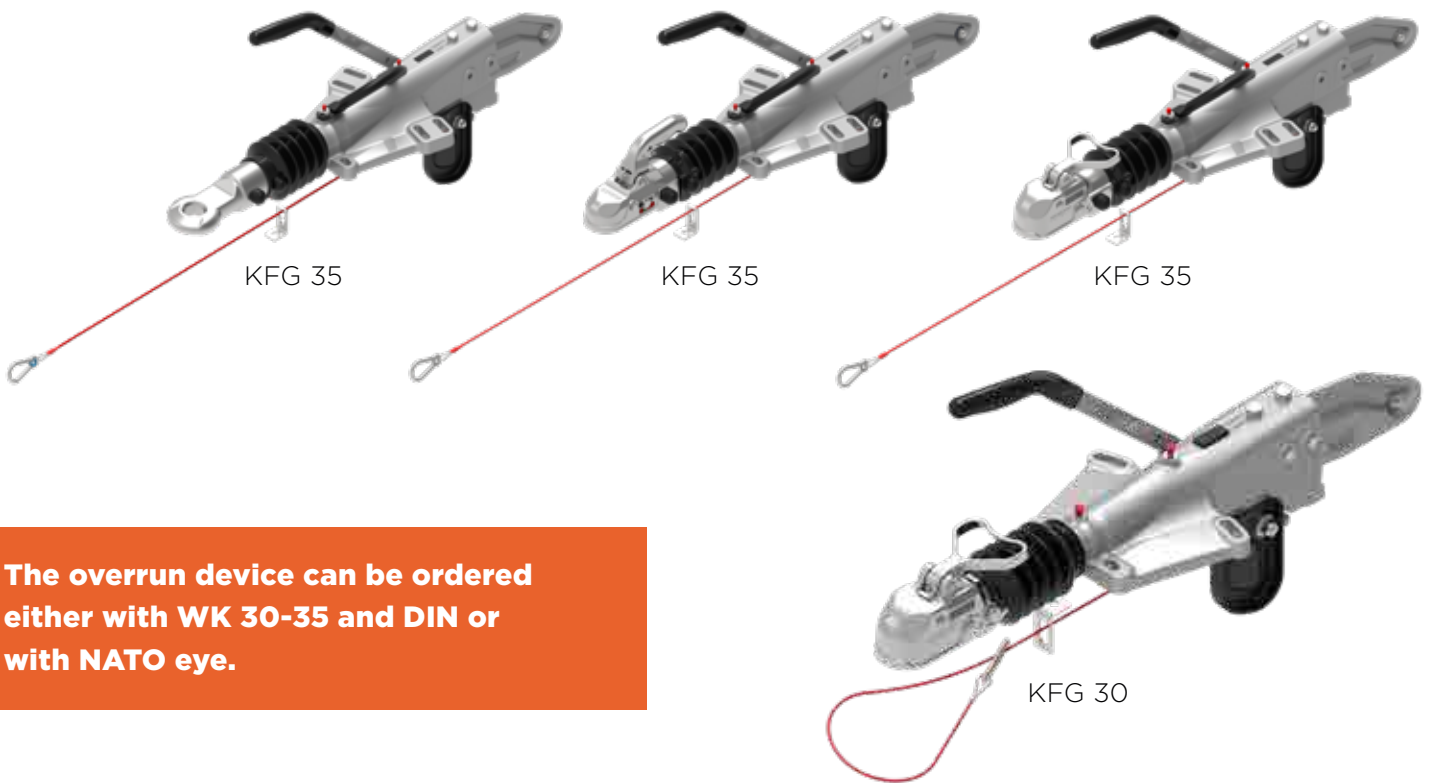




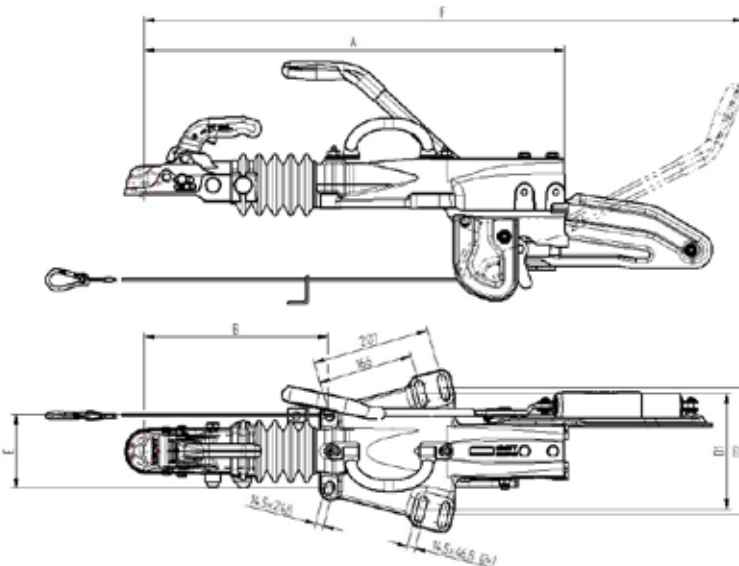
# KFG 30 - 35 GF Overrun A-frame coupling

Type	Coupling head	Vertical load 'S' (max. kg)*	GVWR (kg)	A (mm)	B (mm)	D1 (mm)	D2 (mm)	E (mm)	F (mm)	ECE number	Art. number
KFG 30A	K35 AN3	300	3000	673	300	181	239	120	988	55R-01 0646	202350.004
KFG 35D	K35 CN3	350	3500	738	326	203	220	120/140	1052	55R-01 0647	6J1599.402
KFG 35D	DIN eye	350	3500	738	326	203	220	120/140	1052	55R-01 0647	6J1599.404
KFG 35D	NATO eye	350	3500	738	326	203	220	120/140	1052	55R-01 0647	6J1599.405

\* Vertical load can vary depending on coupling head/towing eye.



The overrun device can be ordered either with WK 30-35 and DIN or with NATO eye.

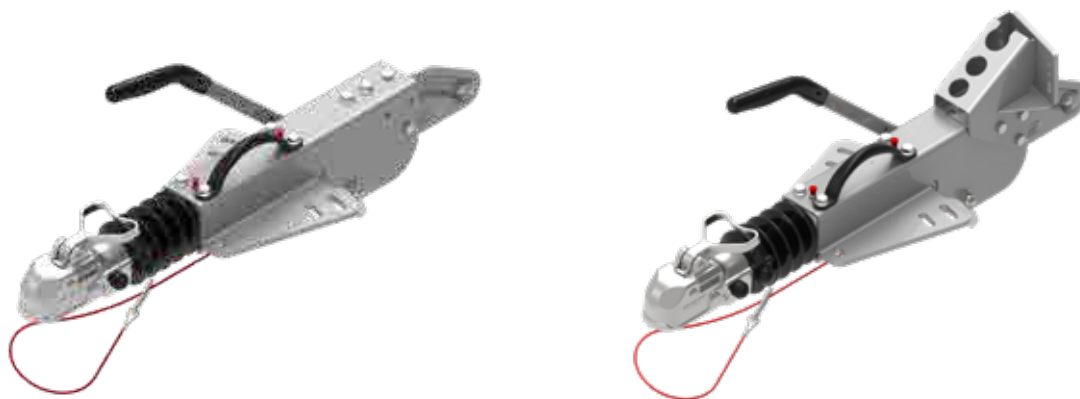




## KFGL 35 Overrun A-frame coupling

Type	Coupling head	Vertical load 'S' (max. kg)*	GVWR (kg)	A (mm)	B (mm)	D1 (mm)	D2 (mm)	E (mm)	F (mm)	ECE number	Art. number
KFGL 35 AGF	K35 CN3	350	3500	774	324	206	225	120/140	1056	55R-01 1730	204530.001
KFGL 35 AGF	K35 CN3	350	3500	774	324	206	225	120/140	1056	55R-01 1730	204532.001

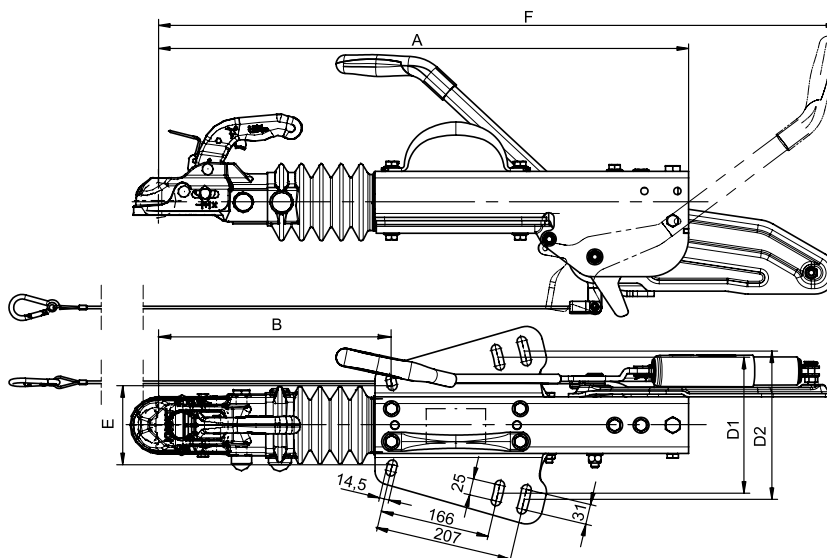
\* Vertical load can vary depending on coupling head/towing eye.



**Coupling head: K35 CN3**  
**Vert. load: 350 kg**  
**GVWR: 3500 kg**  
**ECE number: 55R-01 1730**

**With bracket for jockey wheel**

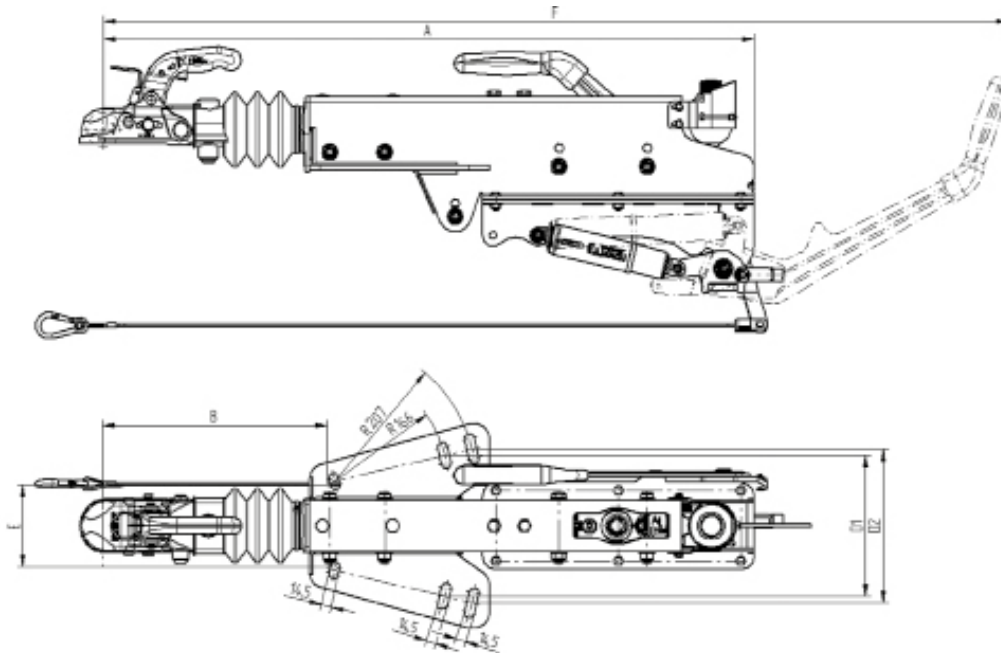
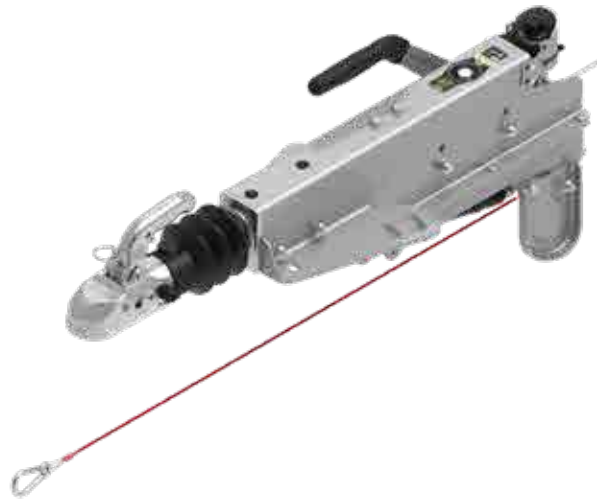
**The overrun device can be ordered either with DIN or with NATO eye.**





# AHR 18 Overrun A-frame hydraulic coupling

Type	Coupling head	Vertical load 'S' (max. kg)	GVWR (kg)	A (mm)	B (mm)	D1 (mm)	D2 (mm)	E (mm)	F (mm)	ECE number	Art. number
AHR 18	K27 BN3	150	1800	848	339	206	225	120/140	1325	55R-01 1217	6J2732.001





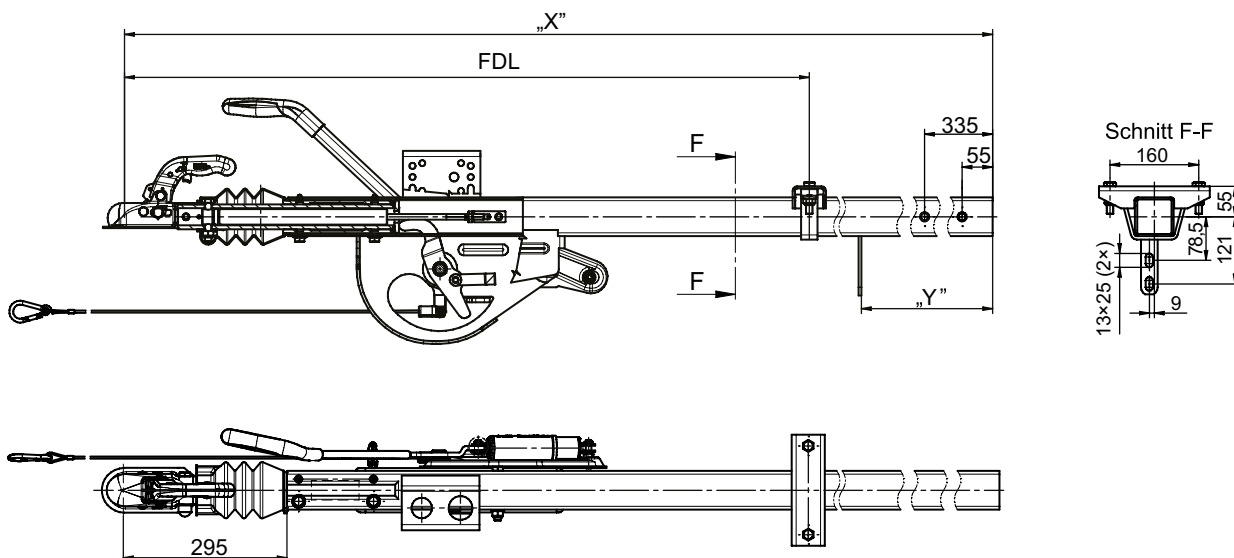


# KV 13-18 Overrun in-line coupling-square tube

Type	Model	Coupling head	Vertical load (max. kg)	X (mm)	Y (mm)	D (mm)	ECE number	Art. number
KV 13 C2	GF	KK14 BN3	100	2520	1130	70x70x4	55R-01 0766	6J2439.001
KV 18 C	GF	K20 BN3	100	2600	1130	70x70x5	55R-01 0553	6J2442.001

Type	FDL at GA	GVWR (kg)
KV 13 C2	1400 kg / 1235 mm	1300
KV 18 C	2000 kg / 1044 mm	2000

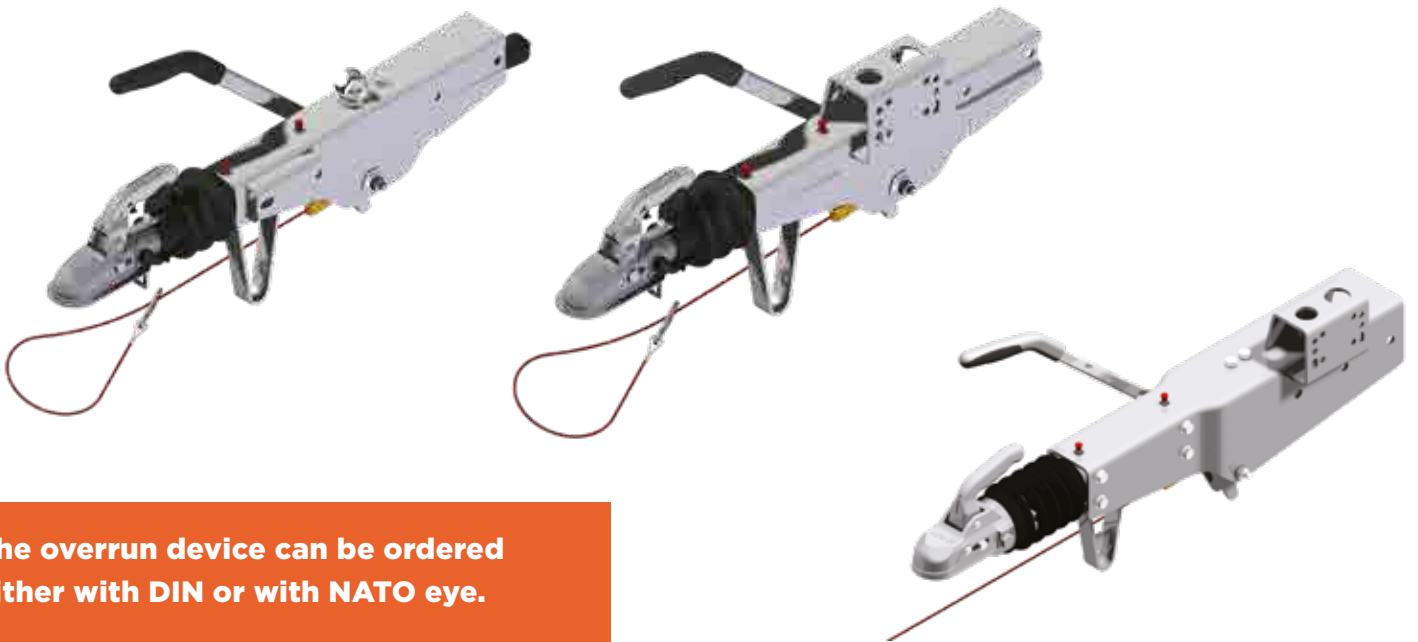
**Length "X" can be specified according to the requirements. The overrun device can be ordered either with DIN or with NATO eye.**



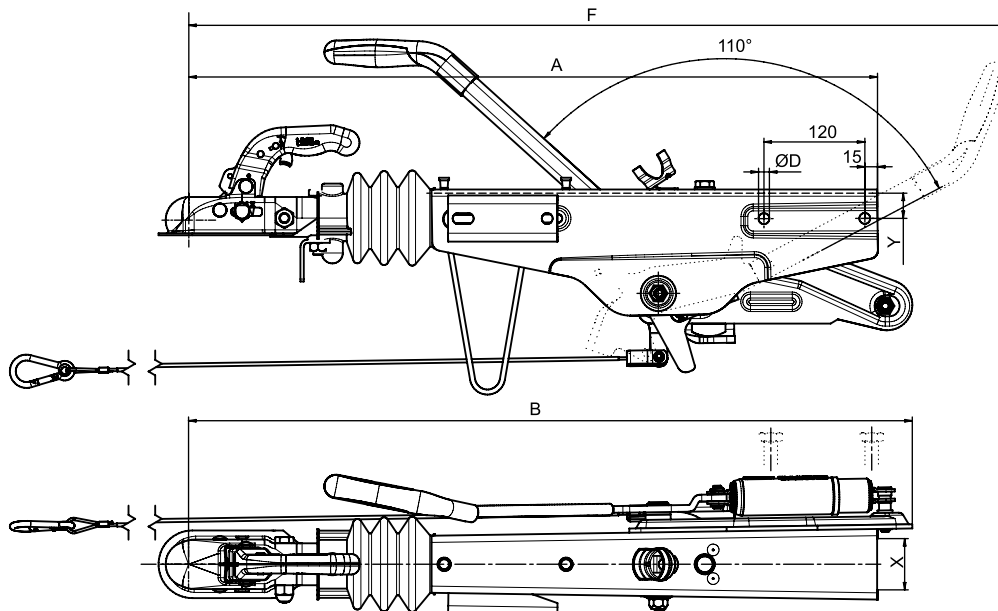


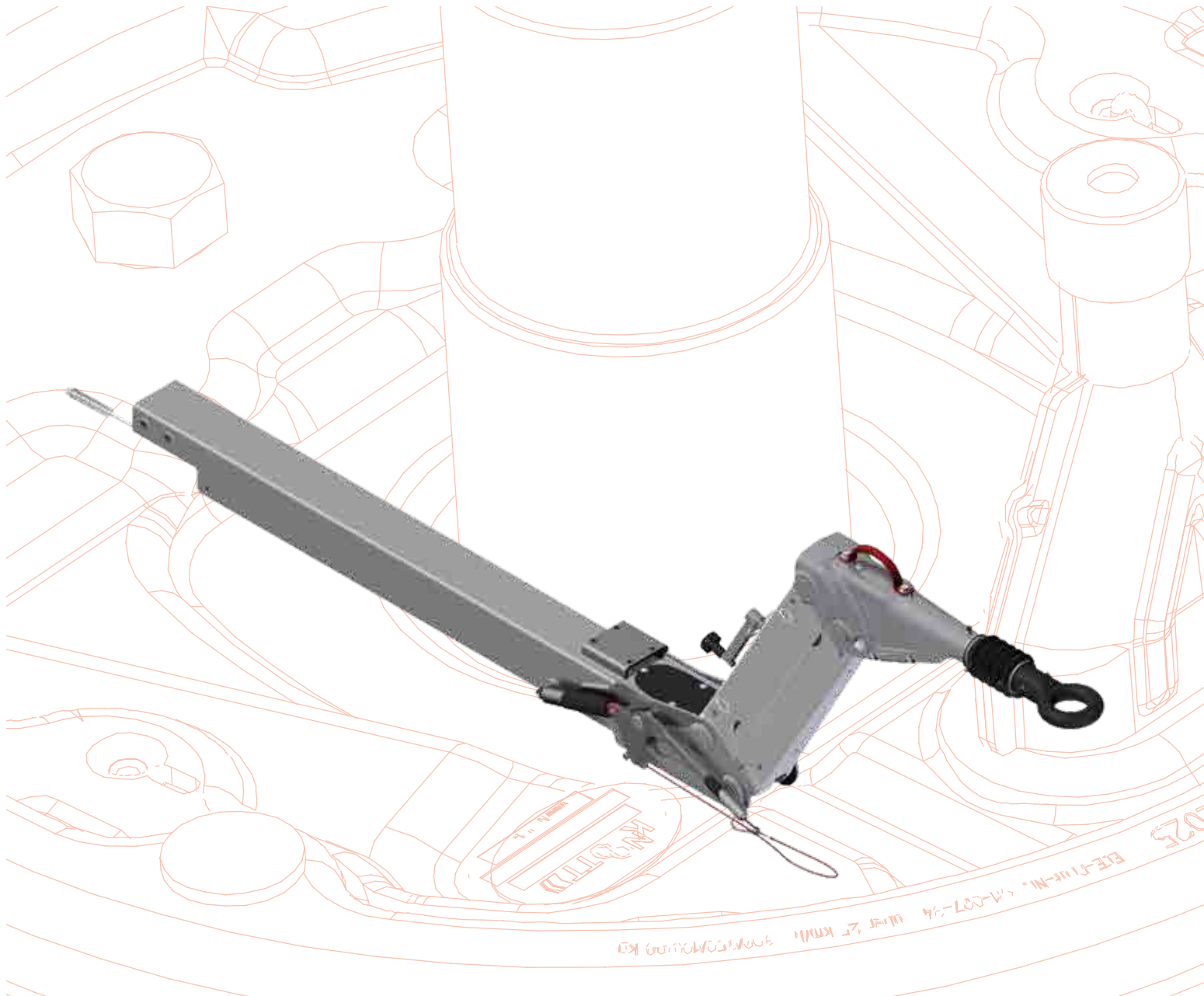
## KRV 7,5-35 Overrun in-line coupling-square tube

Type	Coupling head	Vertical load 'S' (max. kg)	GVWR (kg)	A (mm)	B (mm)	D (mm)	F (mm)	X (mm)	ECE number	Art. number
KRV 13 CGF	KK14 BN3	75	750	819	861	13	972	70	55R-01 1010	6J3061.001
KRV 13 CGF	KK14 BN3	100	1300	819	861	13	972	60	55R-01 1010	6J3061.061
KRV 17 CGF	K20 BN3	100	1700	819	861	13	972	70	55R-01 1010	6J3065.001
KRV 20 AGF	K20 BN3	100	2000	836	873	16,5	984	100	55R-01 1018	209264.001
KRV 30 BGF	K35 AN3	150	3000	853	842	16,5	913	100	55R-01 1052	203579.001
KRV 35 AGF	K35 CN3	350	3500	988	1010	16,5	1037	120	55R-01 1588	203995.001



The overrun device can be ordered either with DIN or with NATO eye.





# ADJUSTABLE HEIGHT COUPLING

[www.autoflex.hu](http://www.autoflex.hu)

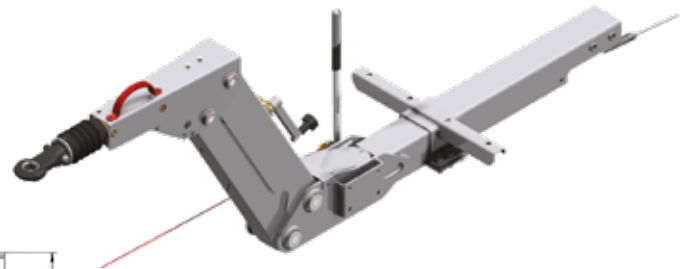
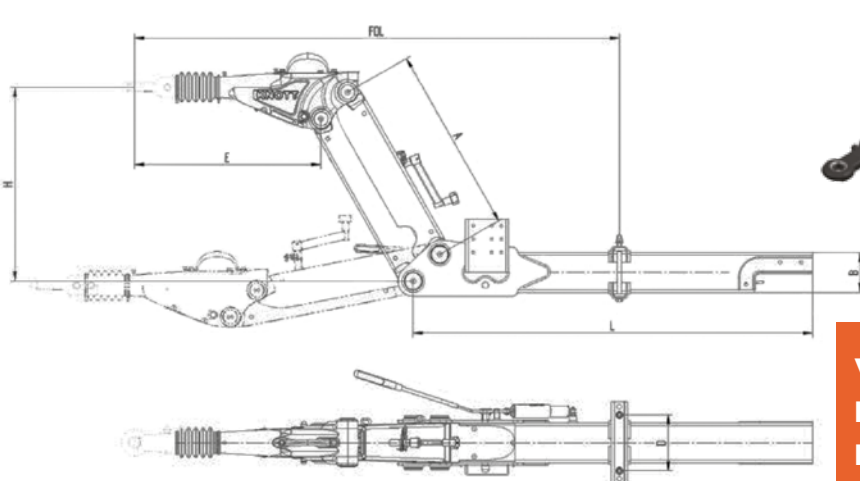




## KHD

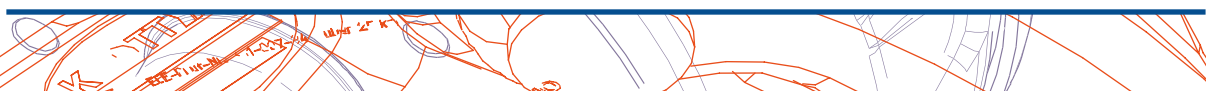
Type	Vertical load 'S' (kg) (max.)*	GVWR (kg)	A (mm)	B (mm)	D (mm)	E (mm)	H (mm)	∅	FDL (G <sub>A</sub> max. kg)	Wheel Brake	ECE number	Art. number
KHD9	100 kg	500-900	500	80x120x4	160	609	520	13	2500	200x50 250x40	55R-012 090	708500.060
KHD15	100 kg	800-1600	700	90x90x6,3	160	641	704	15	2075	200x50 250x40	55R-01 1623	707960.006
KHD20	150 kg	1600-2000	700	120x120x4	180	641	732	15	2138	200x40 250x50	55R-01 2781	709600.006
KHD25	150 kg	1600-2500	700	120x120x6	180	683	725	15	2583	300x60	55R-01 1690	709383G168
KHD25	150 kg	1600-2500	700	120x120x6	180	683	725	15	2583	200x50 250x40	55R-01 1690	709383G169
KHD27	150 kg	1600-2700	700	150x150x5	210	672	733	15	3550	300x60	55R-01 1549	706140.060
KHD27	150 kg	1600-2700	700	150x150x5	210	672	733	15	3550	200x50 250x40	55R-01 1549	706140.132
KHD35	350 kg	2500-3500	700	150x150x5	210	701	727	15	2511	300x60	55R-01 1548	706914.331
KHD35	350 kg	2500-3500	700	150x150x5	210	701	727	15	2511	200x50 250x40	55R-01 1548	706914.367

\* Vertical load can vary depending on coupling head/towing eye.



**Vert. load:**  
**KHD 9-15: 100 kg**  
**KHD 20- 27: 150 kg**  
**KHD 35: 350 kg**

**A (mm):**  
**KHD 9: 500**  
**KHD 15-35: 700**  
**L: 2000 mm**





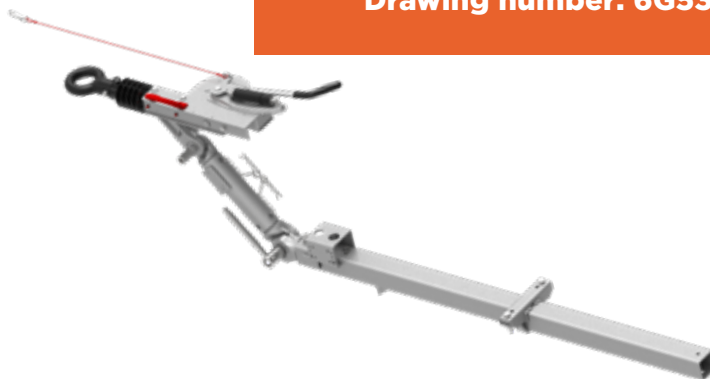
## AHV

Type	H1 (mm)	H2 (mm)	S (mm) max.	V (mm)	L1 (mm) max.	ECE number	B (mm)
AHV 16 LS	535	75	2182	500	1150	55R-01 1472	90x90x6
AHV 20 S	535	73	2116	500	1125	55R-01 1473	100x100x8
AHV 25 LS	485	117	2316	400	1400	55R-01 1474	100x100x8
AHV 35 S	485	117	1840	400	925	55R-01 1475	90x160x6

## AHV 16 LS

Type	ECE number	Art. number
K20 BN3	55R-01 1472	6G5375S120
DIN 45	55R-01 1472	6G5375S110
NATO 45	55R-01 1472	6G5375S101

**Vert. load: 100 kg**  
**Load capacity: 1100-1600 kg**  
**ECE number: 55R-01 1472**  
**Drawing number: 6G5375S**



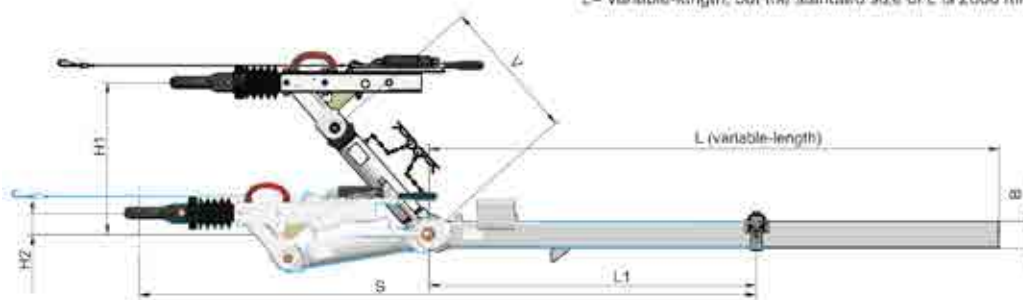
## AHV 20 S

Type	ECE number	Art. number
K27 BN3	55R-01 1473	6G5200S120
DIN 45	55R-01 1473	6G5200S110
NATO 45	55R-01 1473	6G5200S101

**Vert. load: 100 kg**  
**Load capacity: 1100-2000 kg**  
**ECE number: 55R-01 1473**  
**Drawing number: 6G5200S**



L = variable-length, but the standard size of L is 2000 mm





## AHV 25 LS

Towing element	Art. number
K35 CN3	6G5372S120
DIN 60	6G5372S110
NATO 60	6G5372S101

**Vert. load: 150 kg**  
**Load capacity: 2000-2500 kg**  
**ECE-number: 55R-01 1474**  
**Drawing number: 6G5372S**



## AHV 35 S

Towing element	Middle part	Art. number
K35 CN3	400	6G5027S120
DIN 60	400	6G5027S110

**Vert. load: 150 kg**  
**Load capacity: 2700-3500 kg**  
**ECE-number: 55R-01 1475**  
**Drawing number: 6G5027S**



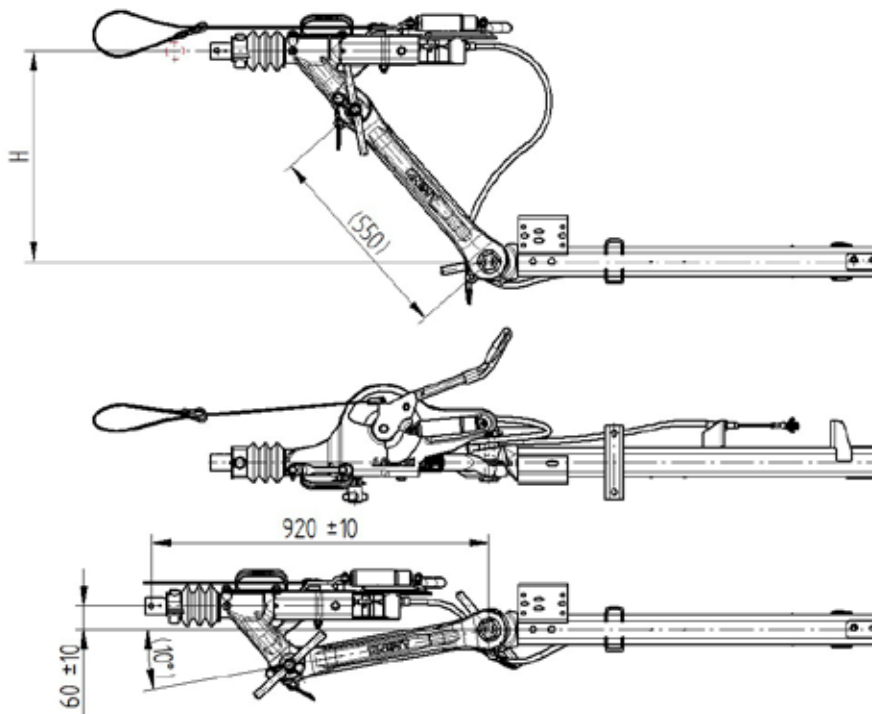


## AHG 8,5

Type	Coupling	Adjustable Height H (mm)	d (mm)	Art. number
AHG 8,5 A6	no	650	80x80x5	6G1350.001



**Vert. load: 85 kg**  
**GVWR: 850 kg**  
**ECE number: E7-55R-01 2103**

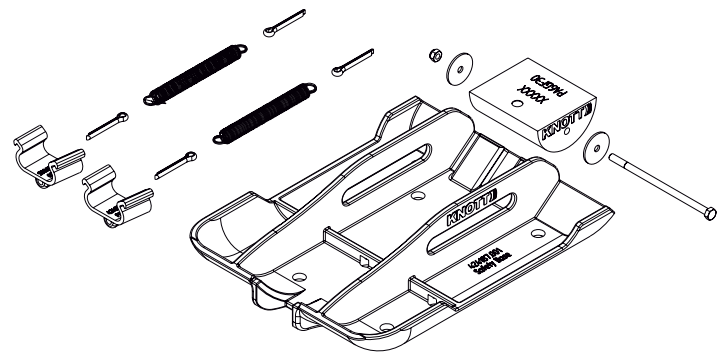


## SAFETY BASE

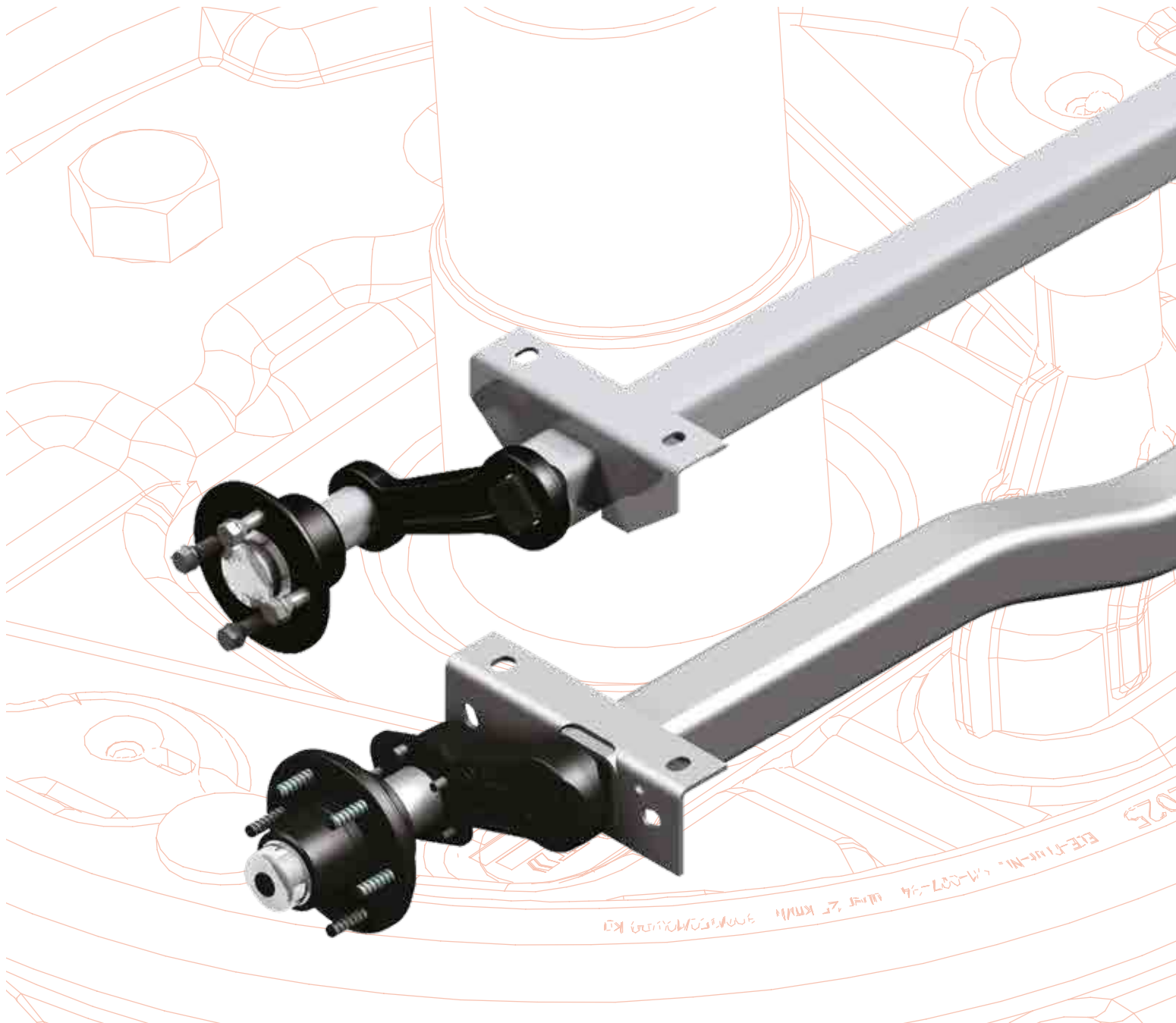
Art. number: **424187.001**



- The unique solution of fixing the foot ensures that the support is firmly fixed to the ground.
- The feet are equipped with a spring that keeps the SafetyBase in the closed position while driving, thanks to which the noise level is much lower than in similar solutions available on the market.
- An additional advantage of the offered solution is the fact that the special structure allows for „tightening” the support without damaging the foot by dragging it over the ground.







# UNBRAKED AXLES

[www.autoflex.hu](http://www.autoflex.hu)





## VARIETY OF SWING ARMS

**Rolled steel swing arm**  
with square tube axle stub

**Axle load max.: 500 kg**



**Bended steel swing arm**  
with square tube axle stub

**Axle load max.: 750 kg**



**Pressed steel swing arm**  
with square tube axle stub

**Axle load max.: 1800 kg**



**Pressed steel swing arm**  
with square bar axle stub

**Axle load max.: 1800 kg**



**Forged steel swing arm**  
with square bar axle stub

**Axle load max.: 2500 kg**



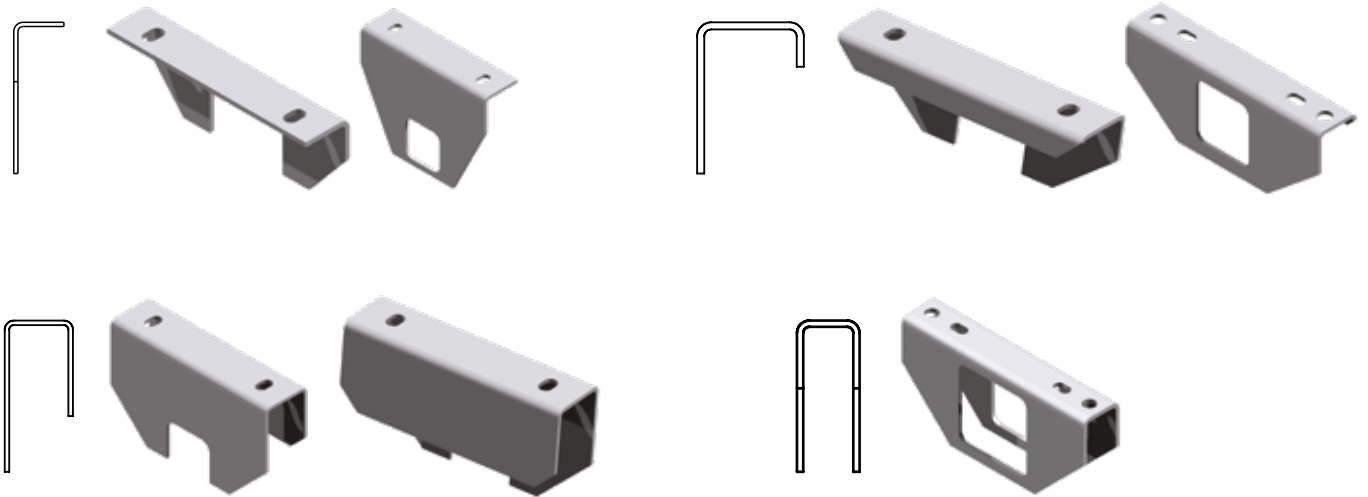
**Forged steel swing arm**  
with square bar axle stub

**Axle load max.: 2500 kg**





## VARIETY OF MOUNTING BRACKET STYLES



These brackets are just a part of our complete range.

## LONG MOUNTING BRACKETS



**Material: steel plate**  
**Surface treatment: hot-dip galvanization**  
**Use: mounting the axle to the chassis**  
**Mounting possibility to chassis with bolt**

For more types please contact our sales personnel!





## HUBS

**All of our wheel hubs are also available in water resistant version.**

- Surface treatment: e-coating
- Bearing: compact roller bearing or tapered roller bearing



**The advantages of compact roller bearings over taper roller bearings and ball bearings:**

- These bearings can accommodate axial loads in both directions, as well as radial loads
- Available in stainless & waterproof version, or in waterproof version only
- Sealed unit which is highly dirt resistant
- Maintenance free

**Equipped with sealed - for life - bearing to ensure extended usage time.**

**Oil lubricated hub**

Advantages:

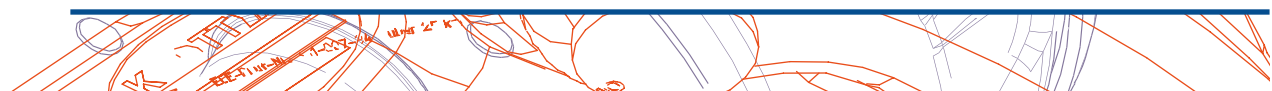
- water resistant
- transparent dustcap
- easy to refill



## Spare parts for non braked rubber suspension axles



N°	Description
1	Grease cap
2	Axle end nut
3	Wheel bolt
4	Wheel hub
5	Wheel bearing
6	Circlip
7	Seal for lifetime bearing
8	Stub cpl. welded





## VARIETY OF UNBRAKED WHEEL HUBS

### FNK 22 - 23

Type	Offset	Drawing number
FNK 22	0-45 mm	6A7741
FNK 23	0-45 mm	6A7861

Axle load capacity up to 750 kg

Wheel connection	Hub
98x4	FNK 22, FNK 12
100x4	FNK 22, FNK 12
100x5	FNK 12
108x4	FNK 22, FNK 12
110x4	FNK 12, FNK 6
110x5	FNK 12, FNK 6
112x5	FNK 12, FNK 6
112x3	FNK 12, FNK 6
114,3x5	FNK 12, FNK 6
115x4	FNK 12, FNK 6
120x5	FNK 12, FNK 6
120x6	FNK 12, FNK 6
130x4	FNK 23, FNK 13, FNK 8
130x5	FNK 13, FNK 8
130x6	FNK 13, FNK 8
139,7x4	FNK 14, FNK 8
139,7x5	FNK 14, FNK 8
139,7x6	FNK 14, FNK 8
140x5	FNK 14, FNK 8
140x6	FNK 14, FNK 8
150x3	FNK 14, FNK 8
150x5	FNK 14, FNK 8
152,4x5	FNK 14, FNK 8
160x5	FNK 14, FNK 8
165,1x5	FNK 14, FNK 8
170x5	FNK 14, FNK 8



**FNK 22**



**FNK 23**



All wheel hubs are available in water-resistant version too.



## FNK 12 - 13 - 14

Type	Offset (mm)	Drawing number
FNK 12	25-35	6B1302
FNK 13	25-35	6B1303
FNK 14	25-35	6B1383



**FNK 12**



**FNK 13**



**FNK 14**

**Axle load capacity up to 1350 kg**

## FNK 6 - 8

Type	Offset	Drawing number
FNK 6	up to 1500 kg 0-35 over 1500 kg 25-35	6B0724
FNK 6W	up to 1500 kg 0-35 over 1500 kg 25-35	6B0724
FNK 8	up to 1500 kg 0-35 over 1500 kg 25-35	6B0800
FNK 8W	up to 1500 kg 0-35 over 1500 kg 25-35	6B0800

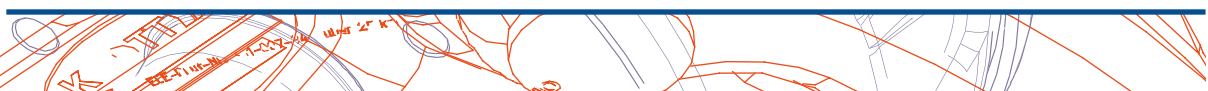


**FNK 6**



**FNK 8**

**Axle load capacity up to 1800 kg**





## VG UNBRAKED RUBBER SUSPENSION AXLE

Type	Load capacity	c (mm)	b (mm)	PCD (mm)	Offset (mm)	Drawing number
VG 7 L	750 kg	1450	1000	Ø100x4	0-45	6A8712.001
VG 8-10 M	1050 kg	1450	1000	Ø100x4	0-45	6AA013.001
VG 10-13 M	1350 kg	1450	1000	Ø100x4	26-35	6AA028.001
VG 14-18 MV	1850 kg	1450	1000	Ø112x5	26-35	6AA304.005

**Product can be used for:**

- jet skis
- snow-mobiles
- dog trailers
- utility trailers such as generators
- boats
- utility vehicles
- horse trailers

**Standard surface treatment:**

- hot-dip galvanization

**Load capacity:**

- up to 1350 kg

**Bearing type:**

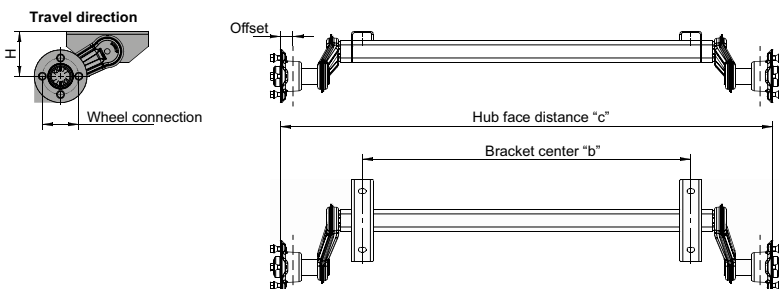
- lifetime compact ball bearing
- taper roller bearing

**The product package includes:**

- rubber torsion axle and type plate
- hub
- swing arm

**If you are interested in our product, please give the following parameters to our sales personnel to help you choose the best product suited to your needs:**

- H, c, b size
- load capacity
- wheel connection
- offset



**Axle load capacity up to 1350 kg**



## UNBRAKED RUBBER SUSPENSION BENDED AXLE

Coating Method	Symbol	Salt spray testing result
Powder Coating	P	300 h
Galvanization	G	> 500 h
Galvanization & powder coating	G&P	700 h
E-coating	E	> 800 h
Hot-dip galvanization	HG	> 1000 h
E-coating & powder coating	E&P	> 1000 h

**Product can be used for:**

- boat trailers

**Standard surface treatment:**

- hot-dip galvanization

**Load capacity:**

- 350 kg to 800 kg

**Bearing type:**

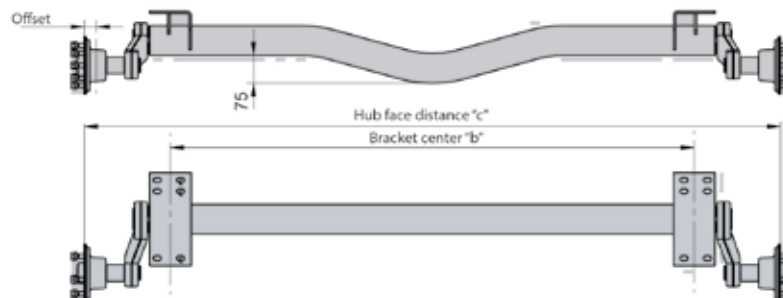
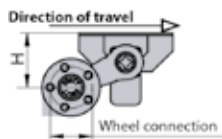
- lifetime compact ball bearing
- taper roller bearing

**Advantages:**

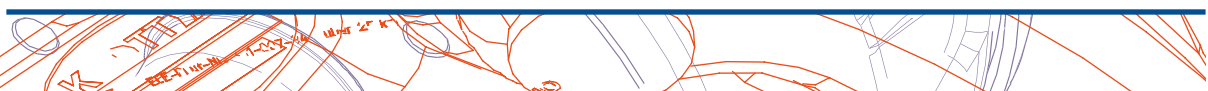
- The new design allows an easier transportation of boats and other vehicles
- The lower centre of gravity makes it more stable

**If you are interested in our product, please give the following parameters to our sales personnel to help you choose the best type suited to your needs:**

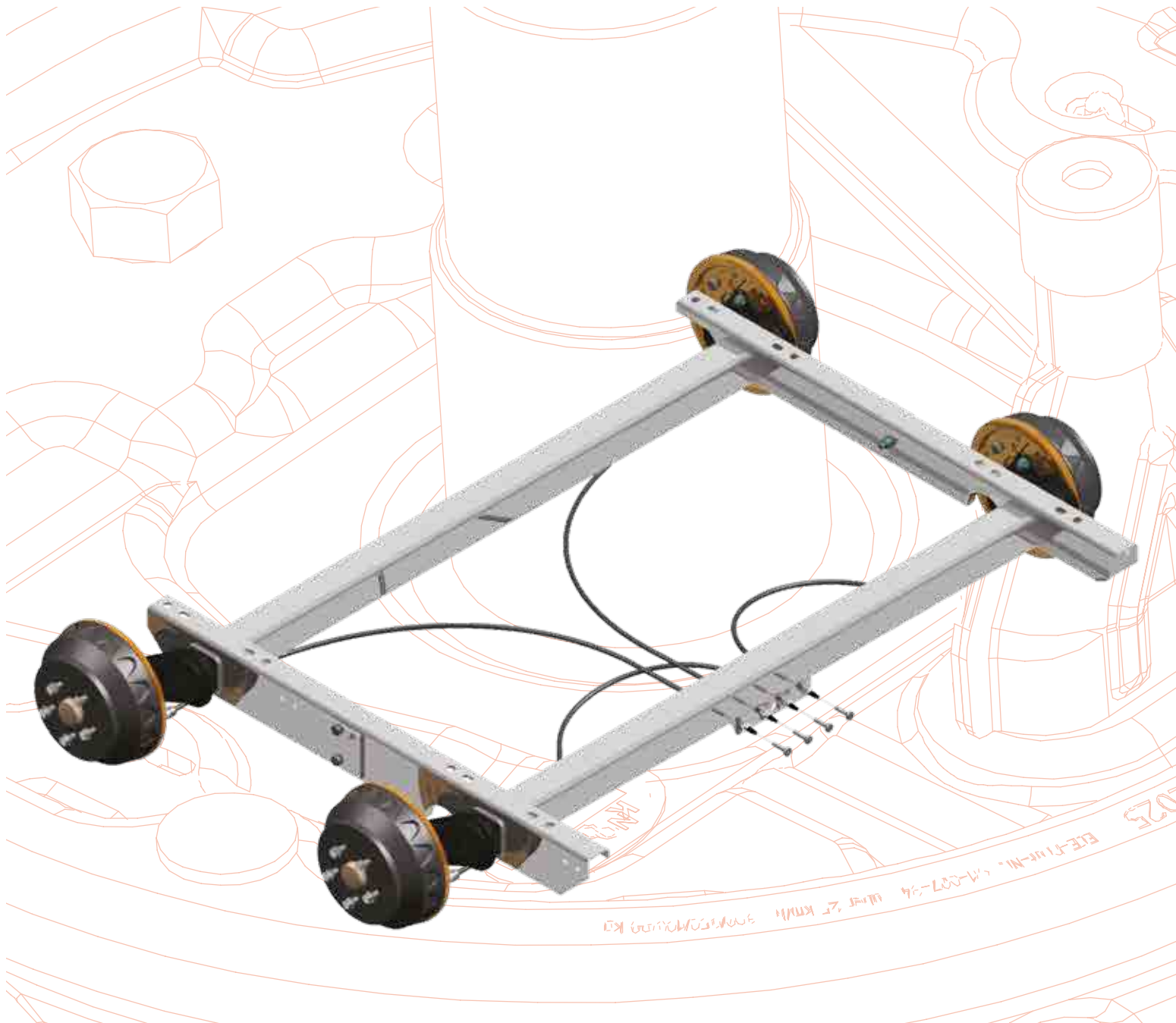
- H, c, b size
- load capacity
- wheel connection
- offset



**Axle load capacity up to 800 kg**







# BRAKED AXLES

[www.autoflex.hu](http://www.autoflex.hu)

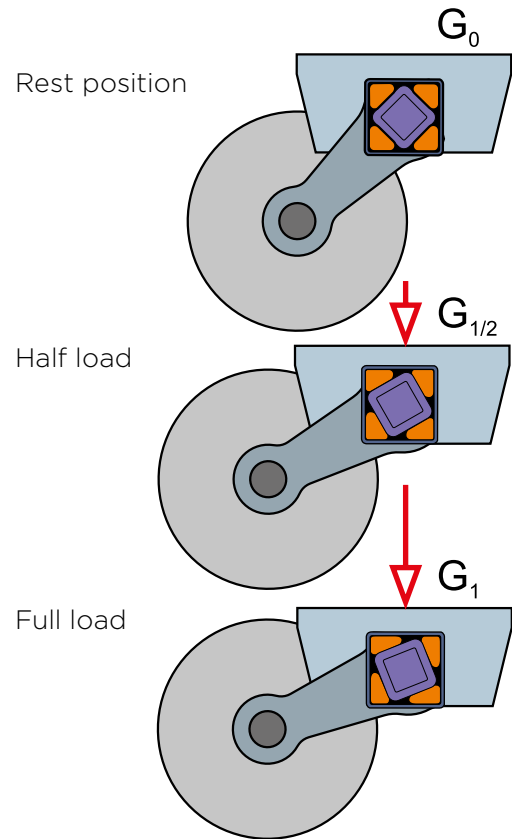
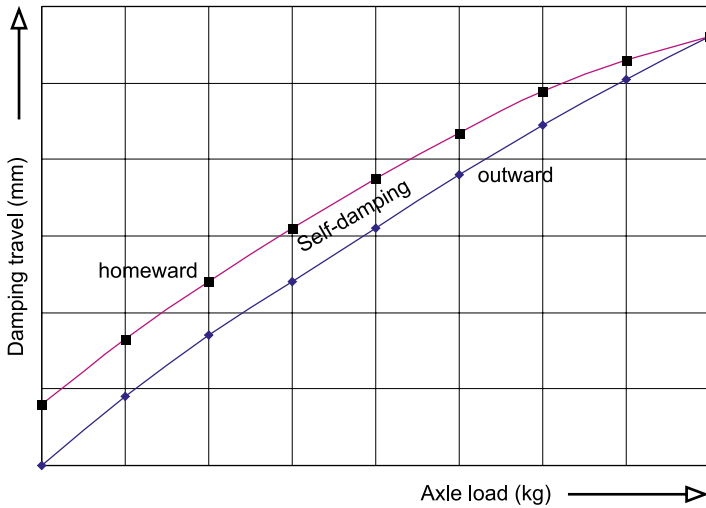




# EUROPEAN QUALITY TRAILER AXLES

## Rubber torsion axle

### Suspension diagram



**Advantages of the 4 piece rubber torsion axle:**

- correct guideline
- stable underpinning
- inner self-damping
- precisely adjustable spring power

## Suspension systems comparison

Type	4 piece Rubber Torsion Axle	Spiral Spring	Solid axle with Leaf Spring	Steel torsion axle	Rubber torsion axle
<b>Advantages:</b>	- easy mounting - correct guideline - stable underpinning - inner self-damping	maximum suspension comfort	- less temperature dependent - easy mounting - big load capacity	- less temperature dependent - easy mounting - big load capacity	- good suspension comfort - precise handling - maintenance free
<b>Contains:</b>	- square tube - inner tube - 4 rubber cords	spiral spring suspension	leaf spring	axle	axle
<b>Axle type:</b>	rubber torsion axle	no axle	rigid axle	steel torsion axle	rubber torsion axle
<b>Shock absorber</b>	possible, but not necessary	yes	yes	possible, but not necessary	possible, but not necessary
<b>Usability</b>	for all kinds of trailers	for sensible goods and animal transportation	in harsh environments	in harsh environments, even for sensible goods	for sensible and valuable goods and animal transportation





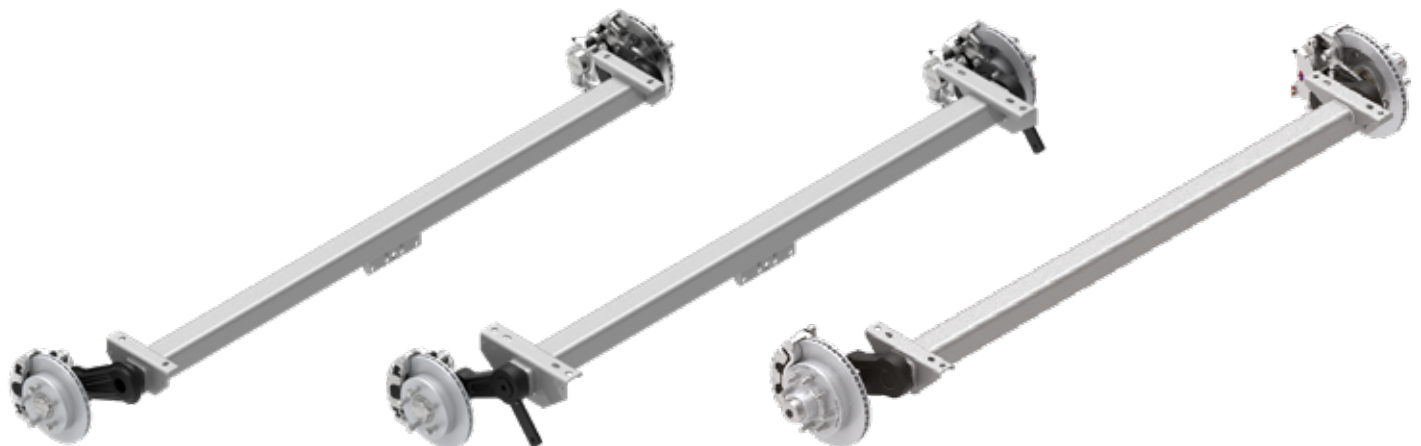
## VGB Braked axle

Type	Load capacity (kg)	c (mm)	b (mm)	PCD (mm)	Offset (mm)	Art. number
VGB 7-10 M	1050	1550	1100	Ø 100x4	0-45	6A9627.015
VGB 10-13 M	1350	1550	1100	Ø 112x5	26-35	6A9627.018
VGB 15 MV	1500	1470	1000	Ø 112x5	0-45	6AA014.001
VGB 18 MV	1850	1470	1000	Ø 112x5	26-35	6AA255.001



## VGB Braked axle with disc brake

Type	Load capacity (kg)	c (mm)	b (mm)	PCD (mm)	Offset (mm)	Art. number
VGB 13 M	1350	2250	1800	Ø 112x5	25-35	6AE363.001
VGB 18 MV	1800	2070	1600	Ø 112x5	25-35	6AE490.001
VGB 37 MV	3700	2280	1700	Ø 165,1x6	25-35	6AE723.001





## **AXLE HUB CAP**

# **Introducing our new type of Axle Hub Cap**

**A characteristic feature of our products is to adapt them to our customer's constantly changing needs, whilst we offer innovative solutions for their increased comfort and safety.**



**The caps are provided with a groove which allows the insertion of a wheel reflector improving visibility at night.**

**It also worth mentioning that the caps are:**

- zinc plated and resistant to weather conditions
- an effective thread shield
- available in two sizes: Ø 52 mm and Ø 64 mm

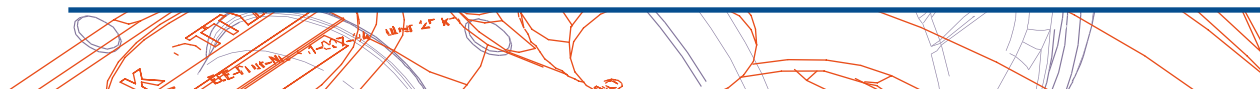
<b>Axle hub cap size</b>	<b>Art. number</b>
Ø 52 mm	47117
Ø 64 mm	47151



**For more details please contact KNOTT Sales Department.**

## **WHEEL REFLECTOR**

<b>Axle hub cap size</b>	<b>Art. number</b>
Ø 52 mm	417563.001
Ø 64 mm	417561.001



## WHEEL REFLECTOR

No doubt everyone will agree with the statement that safe behavior on the road is an absolute priority.

To improve the lateral visibility of the trailer we have designed an innovative wheel reflector, which is mounted on to the grease cap of the hub.

This significantly increases the visibility of the trailer to other road users.



### **We propose the wheel reflectors to increase road safety:**

- Easy mounted with a new type of hub cap.
- Made of reflective foil certification to ECE R 104 Class C.
- Ensure the optimum protection of wheel bolts.
- Made of durable plastic.





## KNOTT BRAKES

Each of our braked axles are fitted with high quality Knott brakes that have been market leaders for over 70 years.

The new generation of brakes include an “automatic adjustment” feature that will not need any maintenance.

**Our brakes supply include:**

- mechanical drum brakes
- hydraulic drum brakes
- hydraulic disc brakes (innovation)
- electric brakes



### Brake system comparison

Types	Mechanical Drum Brake	Hydraulic Drum Brake	Hydraulic Disc Brake	Electric Drum Brake
<b>Advantages:</b>	- serial product (lower price level) - automatic reversing - automatic adjustment is possible - compact - easy installation	- precise - long lifetime	- maintenance free - better braking quality - long lifetime - automatic adjustment	- simple construction - automatic reversing - rigid drawbar (lower price level)
<b>Supplementary equipment</b>	- overrun device - brake cables - balance	- hydraulic overrun device - hydraulic cables - brake cables - balance	- hydraulic overrun device - electronic reversing control - hydraulic cables - brake cables - balance	- coupling - brake cables - balance
<b>Max. load capacity</b>	900 kg	900 kg	900 kg	900 kg
<b>Bearing</b>	- lifetime compact ball bearing - taper roller bearing	compact bearing	- compact bearing - taper roller bearing	taper roller bearing
<b>Surface treatment</b>	e-coated	e-coated	powder coated	e-coated
<b>Water resistant</b>	possible	possible	yes	possible
<b>Status</b>	serial product	serial product	new product	in development

**When ordering, please indicate whether you would like to get your axle with a self-adjusting brake.**





## Variety of mechanical drum brakes

Type	Brake drum	Brake shoe width (mm)	Permissible mass $G_{Bo}$ (kg)	Brake Torque $M$ max (Nm)	Tyre $\varnothing$ (m)		ECE number
					min.	max.	
16-1365	F 160	35	500	1050	0.368	0.580	361-0035-97
20-2425/1	F 200	50	750	1700	0.506	0.720	361-006-94
25-2025	F 250	40	900	2000	0.506	0.720	361-007-94
30-2261	F 300	60	1500	6500	0.660	0.900	361-1076-97

Type	Offset (mm)	Drawing number
F 160	0 - 45	6A0113
F 160 W	0 - 45	6A2263
F 200	0 - 45	6A1121
F 200 W	0 - 45	6A2265
F 200 ETO	(-5) - 35	6A1303
F 200 ETOW	(-5) - 35	6A2578

W= water resistant / waterproof

### F 160



### F 200



### F 200 ETO





## Variety of mechanical drum brakes

Wheel connection	Brake
98x4	F 160, F 200
100x4	F 160, F 200
100x5	F 200
108x4	F 160, F 200
110x4	F 200
110x5	F 200
112x5	F 200, F 250
114,3x5	F 200, F 250
115x4	F 200, F 250
120x5	F 200, F 250
120x6	F 200, F 250
130x4	F 200, F 250
130x5	F 200, F 250
130x6	F 200, F 250
139,7x4	F 200, F 250
139,7x5	F 200, F 250
139,7x6	F 200, F 250
140x5	F 200, F 250
140x6	F 200, F 250
150x5	F 250
152,4x5	F 250
160x5	F 250
165,1x5	F 250
205x6	F 300
205x5	F 300
205x5	F 300

Type	Offset (mm)	Drawing number
F 250	0 - 45	6A0428
F 250 W	0 - 45	6A2327
F 250 ET 10	0 - 10	6B7714
F 300	0 - 45	6A2548

W= water resistant / waterproof

### F 250



### F 250 ETO



### F 300



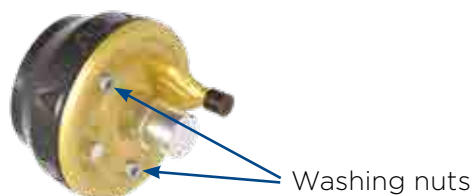
### Washing nozzle for waterproof drum brakes

**For longer life time use the washing nozzle.**

It cleans the drum from the inside, so the brake shoe and spring remain clean.

**How to use:**

Plug the hose to the nozzle and turn on the water. The salt water and dirt will flow out.







## Safety & comfort - simple and easy to maintain

**1. Replacing the wheel or the brake** can be done within a couple of minutes.

There are only 4 or 5 nuts to be loosened and the whole wheel can be removed together with the brake and the bearing.

**2. Camber and toe-in positioning in factory conditions**

**3. Protection against corrosion even in extreme circumstances:**

- completely galvanized brake
- high endurance
- clear visibility of the brake linings

**4. The bearing of the wheel is protected against contamination and water**

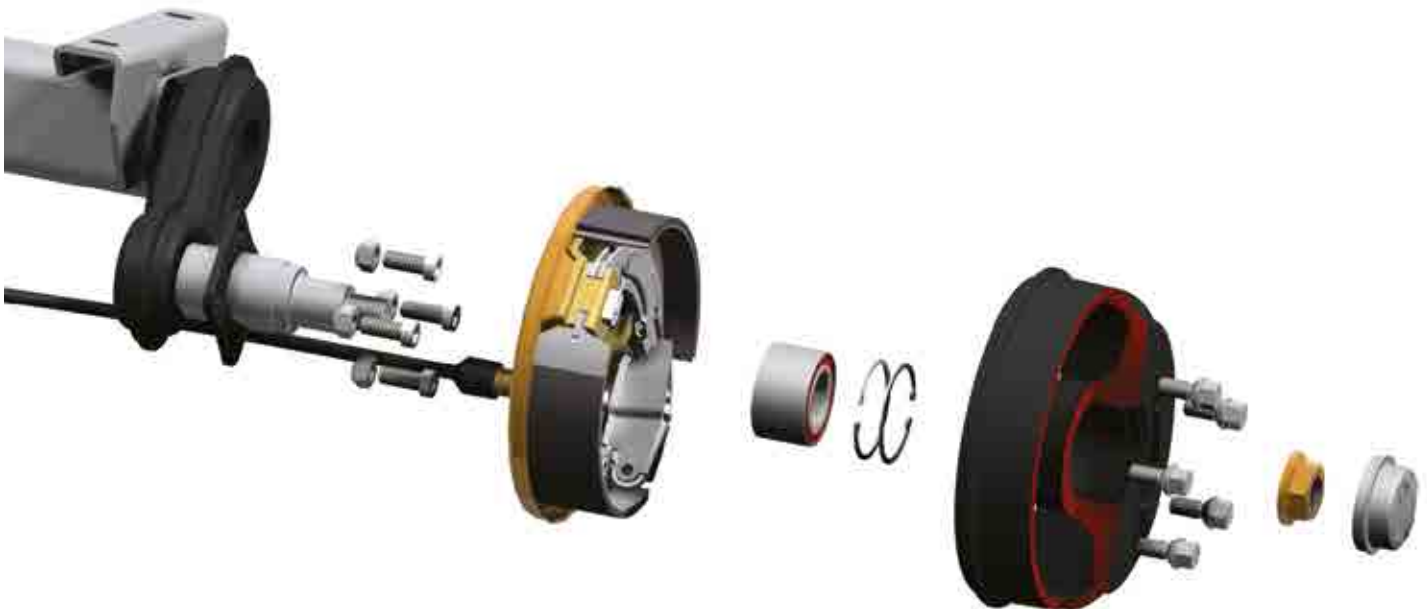
The bearing is treated with special lubricant and maintenance-free.

**5. Bowden cable connection system**

Without disassembling it, a brake cable is attached to the brake mechanism.

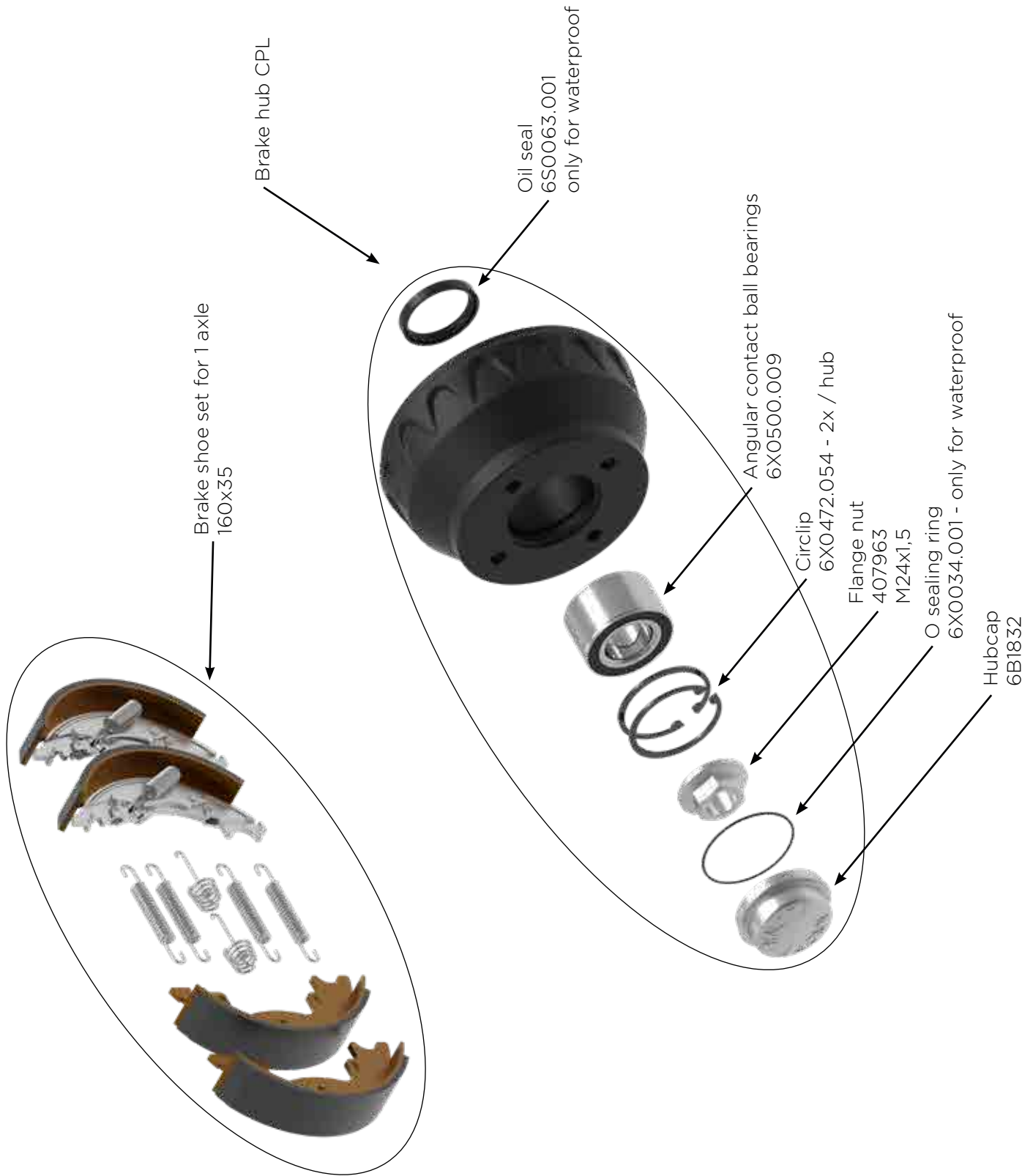
**6. Self-locking axle nut**

A torque of 280 Nm ensures the proper position of the bearing.





# SPARE PARTS FOR WHEEL BRAKE F 160x35 6BH892 - F160X35



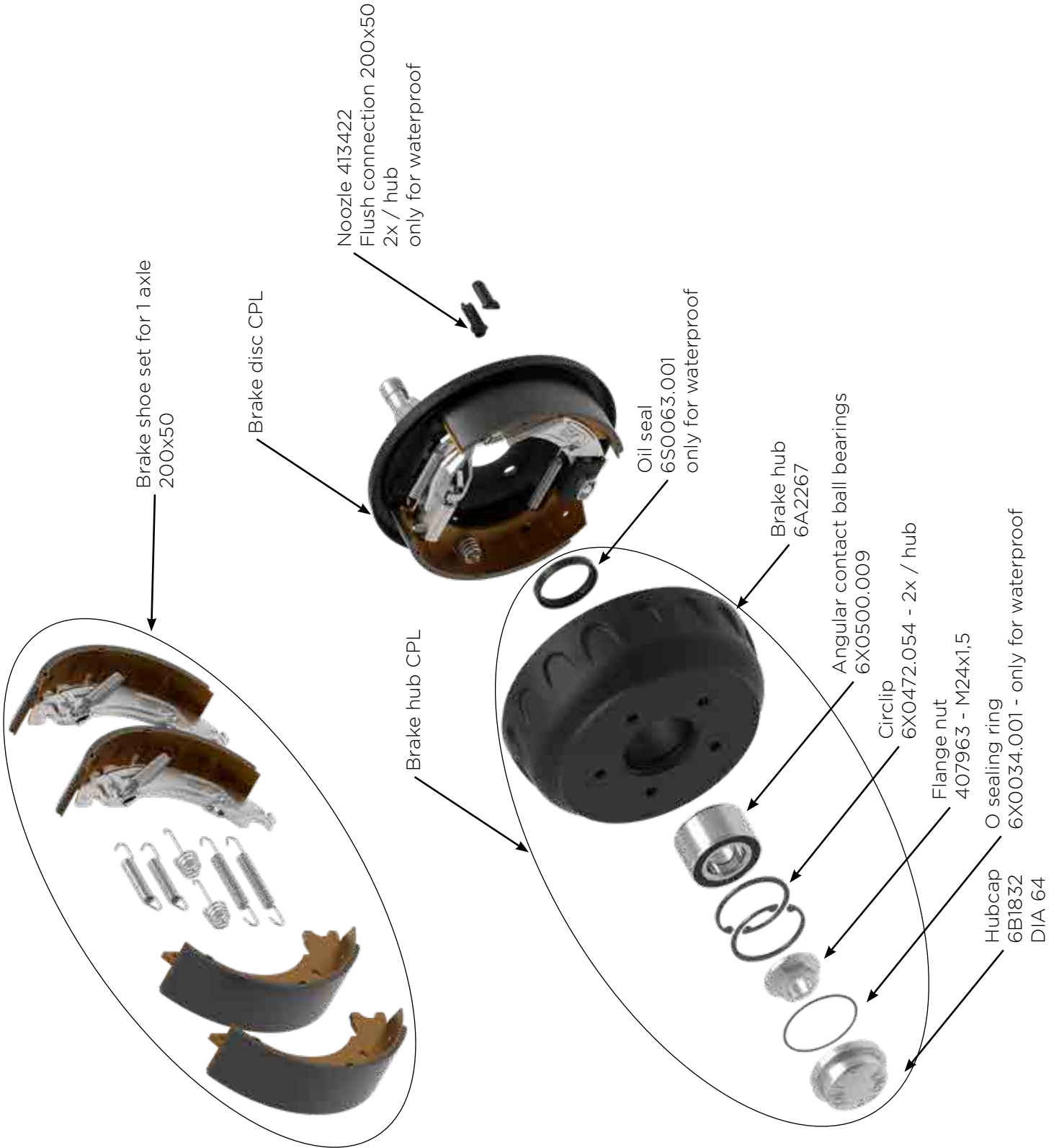


## 6BH892 - F160X35

Ref. number	Description	Brake hub set	Brake hub	Brake hub	Seeger 2x/hub	Angular contact ball bearings	Hub cap	Oil seal	"O" Sealing ring	Flange nut	Brake shoe set for 1 axle
6BH892.004	100x4 <sub>waterproof</sub>	6A2267.039	6A2266.001	6x0472.054	6x0500.009	6B1832C017	6S0063.001	6x0034.001	6B0053.001	402611	
6BH892.003	100x4	6A2266.017	6A2266.001	6x0472.054	6x0500.009	6B1832C002	-	-	6B0053.001	402611	
6BH892.002	112x5 <sub>waterproof</sub>	6A2267.028	6A2266.001	6x0472.054	6x0500.009	6B1832C017	6S0063.001	6x0034.001	6B0053.001	402611	
6BH892.001	112x5	6A2267.025	6A2266.001	6x0472.054	6x0500.009	6B1832C002	-	-	6B0053.001	402611	



# SPARE PARTS FOR WHEEL BRAKE F 200x50 6BH888 - F200X50



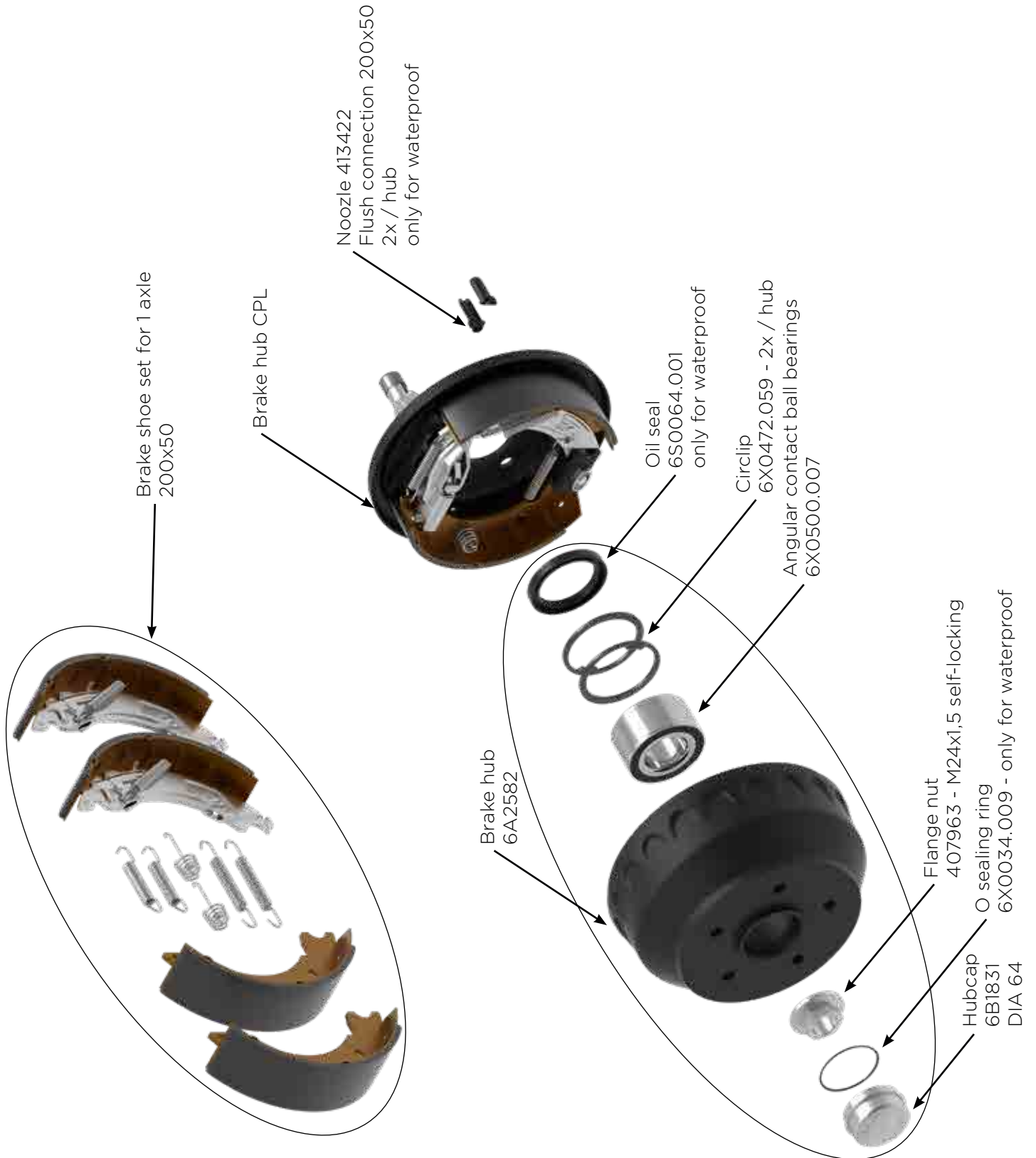
# 6BH888 - F200X50

## BRAKED AXLES

Ref. nr.	Description	Brake hub set	Brake hub	Seeger 2x/hub	Angular contact ball bearings	Hub cap	Oil seal	"O" Sealing ring	Flange nut	Brake plate CPL	Brake shoe set for 1 axle
6BH888.010	112x5 ANS	6A2267.050	6A2267.001	6x0472.054	6x0500.009	6B1831C002	-	-	6B0053.001	L: 413051.001 R: 413051.002	409930.001
6BH888.009	112x5 waterproof without brake disc	6A2267.254	6A2267.001	6x0472.054	6x0500.009	6B1831C017	6S0063.001	6x0034.001	6B0053.001	-	-
6BH888.008	112x5 without brake disc	6A2267.050	6A2267.001	6x0472.054	6x0500.009	6B1831C002	-	-	6B0053.001	-	-
6BH888.007	112x5 waterproof	6A2267.254	6A2267.001	6x0472.054	6x0500.009	6B1831C017	6S0063.001	6x0034.001	6B0053.001	L: 26617.45 R: 26617.46	47276
6BH888.006	112x5	6A2267.050	6A2267.001	6x0472.054	6x0500.009	6B1831C002	-	-	6B0053.001	L: 26617.45 R: 26617.46	47276
6BH888.005	112x5	6A2267.062	6A2267.002	6x0472.054	6x0500.009	6B1831C002	-	-	6B0053.001	L: 413051.001 R: 413051.002	409930.001
6BH888.004	100x4 waterproof without brake disc	6A2267.155	6A2267.002	6x0472.054	6x0500.009	6B1831C017	6S0063.001	6x0034.001	6B0053.001	-	-
6BH888.003	100x4 without brake disc	6A2267.062	6A2267.002	6x0472.054	6x0500.009	6B1831C002	-	-	6B0053.001	-	-
6BH888.002	100x4 waterproof	6A2267.155	6A2267.002	6x0472.054	6x0500.009	6B1831C017	6S0063.001	6x0034.001	6B0053.001	L: 26617.45 R: 26617.46	47276
6BH888.001	100x4	6A2267.062	6A2267.002	6x0472.054	6x0500.009	6B1831C002	-	-	6B0053.001	L: 26617.45 R: 26617.46	47276



# SPARE PARTS FOR WHEEL BRAKE F 200X50 ETO 6BH889 - F200X50 ETO



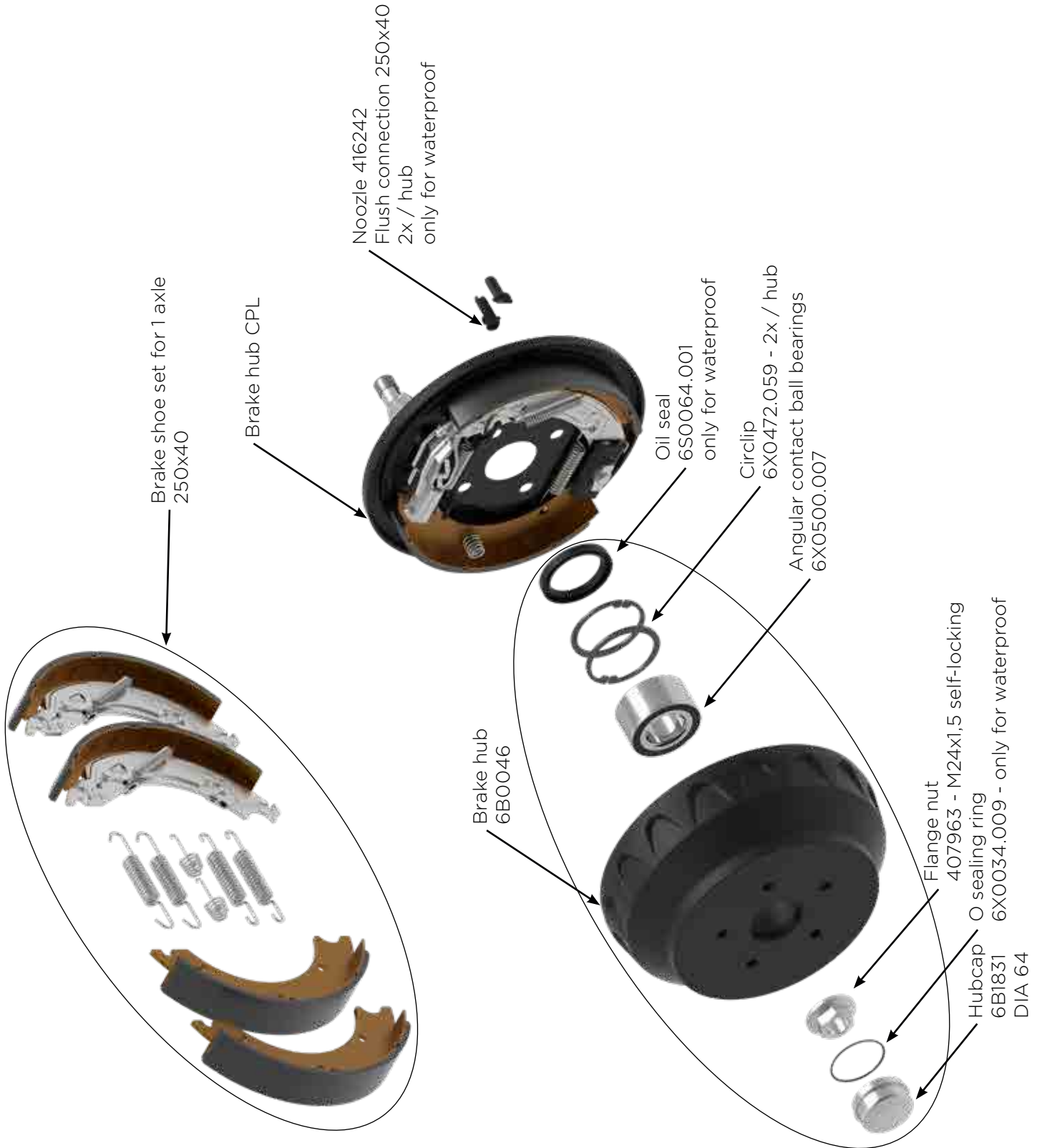
# 6BH889 - F200X50 ETO

Ref. nr.	Description	Brake hub set	Brake hub	Seeger 2x/hub	Angular contact ball bearings	Hub cap	Oil seal	"O" Sealing ring	Flange nut	Brake plate CPL	Brake shoe set for 1 axle connection	Flush 2x/hub
6BH889.006	112x5 ANS waterproof	6A2582.031	6A2582.001	6x0472.059	6x0500.007	6B1831C017	6S0064.001	6x0034.009	6B0053.001	L: 413051.001 R: 413051.002	409930.001	413422.001
6BH889.005	112x5 ANS	6A2582.007	6A2582.001	6x0472.059	6x0500.007	6B1831C002	-	-	6B0053.001	L: 413051.001 R: 413051.002	409930.001	-
6BH889.004	112x5 waterproof without brake disc	6A2582.031	6A2582.001	6x0472.059	6x0500.007	6B1831C017	6S0064.001	6x0034.009	6B0053.001	-	-	-
6BH889.003	112x5 waterproof without brake disc	6A2582.007	6A2582.001	6x0472.059	6x0500.007	6B1831C002	-	-	6B0053.001	-	-	-
6BH889.002	112x5 waterproof	6A2582.031	6A2582.001	6x0472.059	6x0500.007	6B1831C017	6S0064.001	6x0034.009	6B0053.001	L: 26617.45 R: 26617.46	47276	413422.001
6BH889.001	112x5	6A2582.007	6A2582.001	6x0472.059	6x0500.007	6B1831C002	-	-	6B0053.001	L: 26617.45 R: 26617.46	47276	-





# SPARE PARTS FOR WHEEL BRAKE F 250X40 6BH890 - F250X40





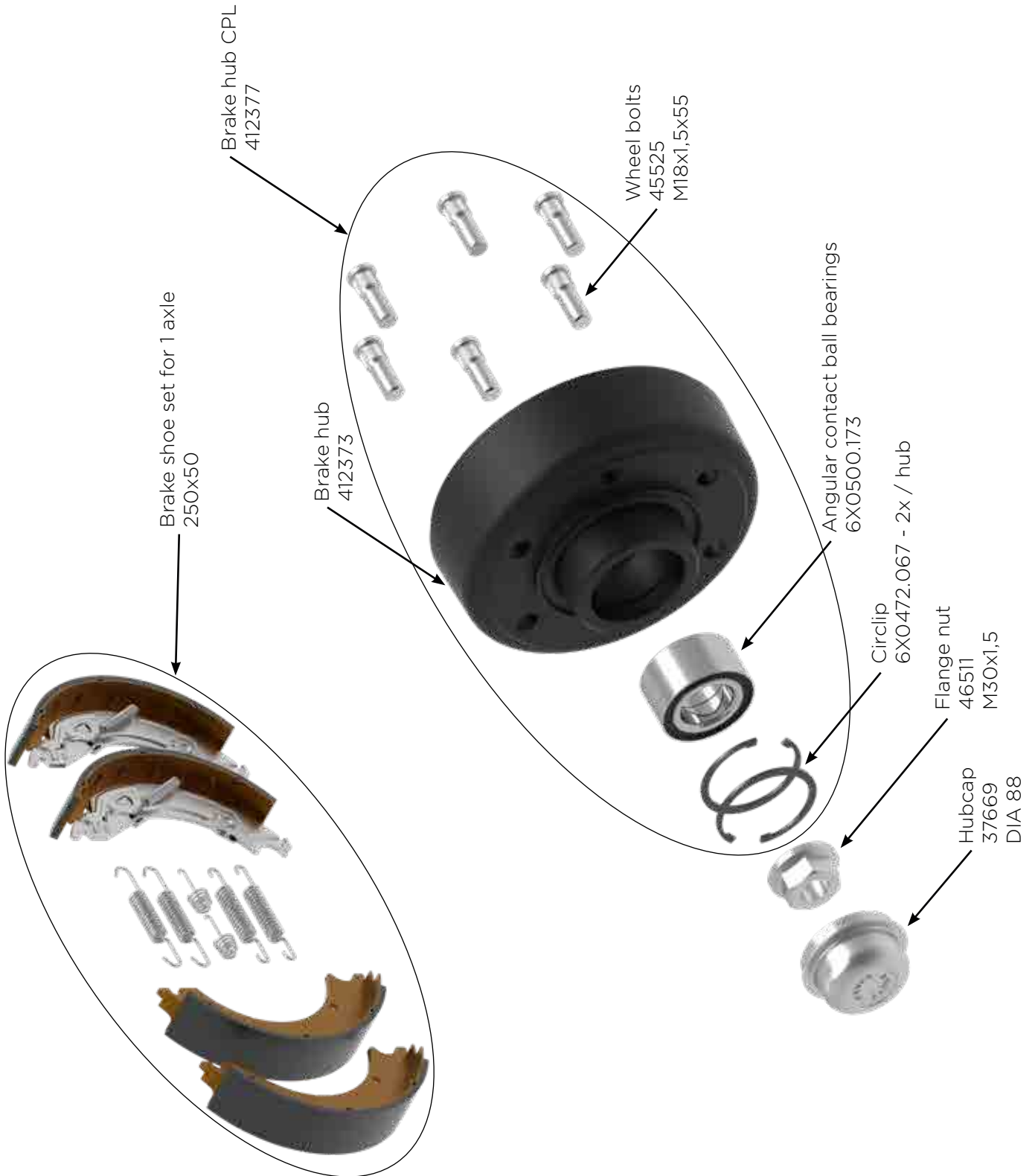
# 6BH890 - F250X40

Ref. nr.	Description	Brake hub set	Brake hub	Seeger 2x/hub	Angular contact ball bearings	Hub cap	Oil seal	"O" Sealing ring	Flange nut	Brake plate CPL	Brake shoe set for 1 axle connection	Flush 2x/hub
6BH890.006	112x5 ANS waterproof	6B0046.045	6A2582.001	6x0472.059	6x0500.007	6B1831C017	6S0064.001	6x0034.009	6B0053.001	L: 413066.001 R: 413066.002	409931.001	416242.001
6BH890.005	112x5 ANS	6B0046.004	6A2582.001	6x0472.059	6x0500.007	6B1831C002	-	-	6B0053.001	L: 413051.001 R: 413051.002	409931.001	-
6BH890.004	112x5 waterproof without brake disc	6B0046.045	6A2582.001	6x0472.059	6x0500.007	6B1831C017	6S0064.001	6x0034.009	6B0053.001	-	-	-
6BH890.003	112x5 without brake disc	6B0046.004	6A2582.001	6x0472.059	6x0500.007	6B1831C002	-	-	6B0053.001	-	-	-
6BH890.002	112x5 waterproof	6B0046.045	6A2582.001	6x0472.059	6x0500.007	6B1831C017	6S0064.001	6x0034.009	6B0053.001	L: 412435.997 R: 412435.998	402677.001	416242.001
6BH890.001	112x5	6B0046.004	6A2582.001	6x0472.059	6x0500.007	6B1831C002	-	-	6B0053.001	L: 412435.997 R: 412435.998	402677.001	-





# SPARE PARTS FOR WHEEL BRAKE F 250X50 ETO 6BH900 - F250X50 ETO





## 6BH900 - F250X50 ETO

Ref. number	Description	Brake hub set	Brake hub	Seeger 2x/hub	Angular contact ball bearings	Hub cap	Flange nut	Brake shoe set for 1 axle
6BH900.002	205x6 ANS	412377.001	412373.001	6x0472.054	6x0500.173	376694	6511	416158.001
6BH900.001	205x6	412377.001	412373.001	6x0472.054	6x0500.173	376694	6511	416163.001



## Rubber suspension axle with auto-reverse drum brake

### Product can be used for:

- jet skis
- snow-mobiles
- dog trailers
- utility trailers such as generators
- boat trailers
- horse trailers

### Standard surface treatment:

- hot-dip galvanization

### Load capacity:

- 750 kg to 2500 kg

### Bearing type:

- compact ball bearing with long lifetime
- taper roller bearing

### The product package includes:

- axle with torsion rubber and type plate
- brake drum
- swing arm

### Additional equipment:

- brake cable
- balance
- brake cable holder
- bracket
- shock absorber
- self-adjusting brake for 200, 250 and 300 brakes



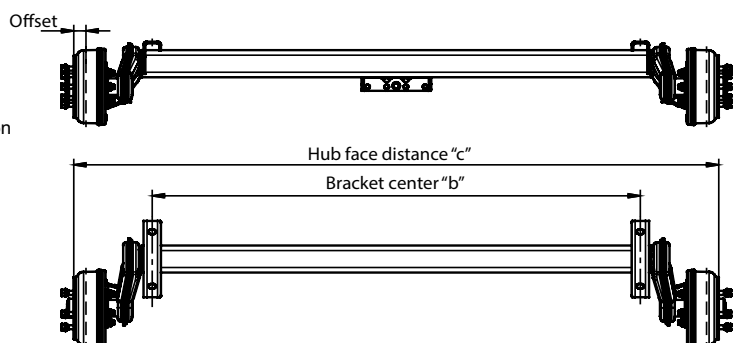
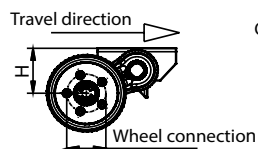
If you are interested in our product, please give the following parameters to our sales personnel to help you choose the best type suited to your needs:

- H, c, b size
- load capacity
- wheel connection
- offset

YOUTUBE VIDEO



Axle load capacity up to 2500 kg





# Rubber suspension bended axle with auto-reverse drum brake

## Product can be used for:

- boat trailers

## Standard surface treatment:

- hot-dip galvanization

## Load capacity:

- 750 kg to 1800 kg

## Bearing type:

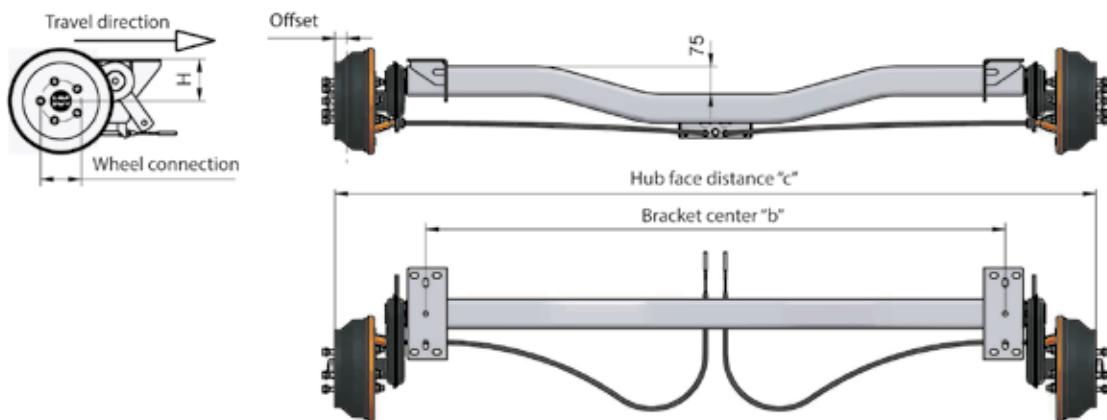
- compact ball bearing with long lifetime
- conical bearing

## Advantages:

- the new design allows easier the transportation of boats and other vehicles
- the lower centre of gravity makes it more stable

If you are interested in our product, please give the following parameters to our sales personnel to help you choose the best type suited to your needs:

- H, c, b size
- load capacity
- wheel connection
- offset



Axle load capacity up to 1800 kg



## Rubber suspension tandem axle with auto-reverse drum brake

### Product can be used for:

- utility trailers
- horse trailers

### Standard surface treatment:

- hot-dip galvanization

### Load capacity:

- 1500 kg to 3500 kg

### Bearing type:

- compact ball bearing with long lifetime
- taper roller bearing

### The product package includes:

- axle with torsion rubber and type plate
- brake drum
- swing arm

### Mounting types:

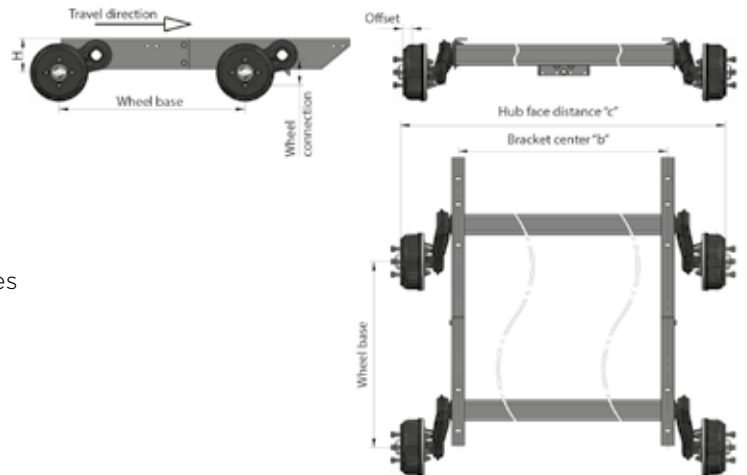
- welded
- bolted

### Additional parts:

- brake cable
- balance
- brake cable holder
- bracket
- shock absorber
- self-adjusting brake for 200, 250 and 300 brakes

If you are interested in our product, please give the following parameters to our sales personnel to help you choose the best type suited to your needs:

- H, c, b size
- load capacity
- wheel connection
- offset



YOUTUBE  
VIDEO



Axle load capacity up to 3500 kg



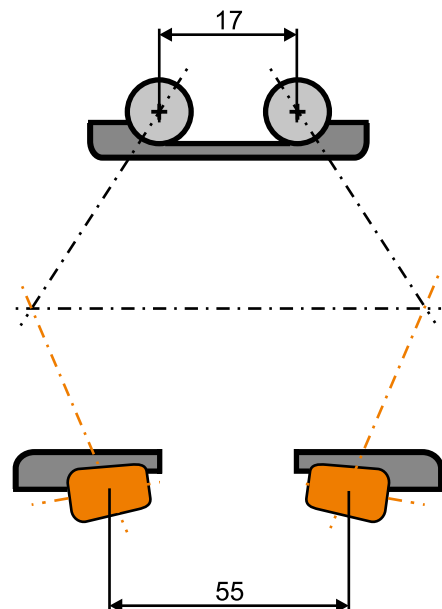


## DOUBLE ROW ANGULAR BEARING

### Heavy duty, maintenance free, water resistant double row bearings

**Heavy duty, maintenance free, water resistant double row bearings are applied in the axle series production.**

In connection with the mechanical characteristics, the influence line of angular bearing with ball-row distance of 17 mms, is equivalent to two pieces of taper roller bearings with a roller distance of 55 mm.





## **BALANCE BAR**

### **New balance bar kit for single axle**

Mounting kit for old version brake cables **with hexagon nut**

**Art. number: 410335.001**

Mounting kit for old version brake cables **with self-locking hexagon nut**

**Art. number: 409905.001**

New balance bar mounting kit for **new brake cables**

**Art. number: 409904.001**



### **New balance bar kit for single axle**

**New balance bar kit for tandem axle** with self-locking hexagon nut

**Art. number: 409907.001**

**New balance bar kit for tandem axle**

**Art. number: 409906.001**



**An example** for mounting the old version brake cables for tandem axle

**An example** for mounting the new version brake cables for tandem axle







## Simple installation of the brake cable

1. Remove the protective cover.
2. Lift the upper part of the cable bracket.



3. Connect the end of the brake cable.



4. Close the cable bracket cover.
5. Move the cover of the cable forward.



6. The brake mechanism is ready for use.





## BRAKE ROD, BOWDEN CABLE

**Our brake rods come with the following dimensions:**

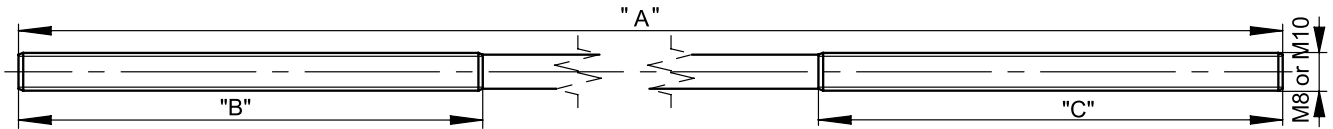
A = between 400 and 3000 mm

B = between 50 and 150 mm

C = between 50 and 500 mm length

Drawing number: 6B1842

**Different sizes can be provided on request.**



## Standard trailer brake cable

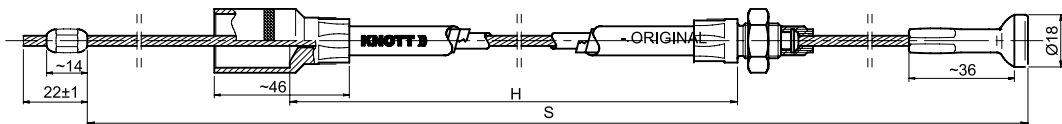
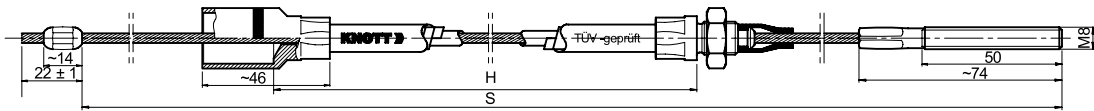
**Our trailer brake cables come with the following dimensions:**

H = between 530 and 2230 mm

S = between 720 and 2420 mm length

Drawing numbers: 33921-1, 980202

**Different sizes can be provided on request.**



## Stainless steel trailer brake cable

**The stainless steel cable is made of corrosion resistant steel, the threaded end and sleeve are treated with high corrosion protection in extreme conditions.**





## THE NEW RANGE OF STAINLESS STEEL BRAKE CABLES

### The Zinc-Nickel finishing of our new range of stainless steel brake cables increases their resistance to oxidation

Compared to the standard versions the stainless steel inner cable's construction has a significantly greater efficiency and lifespan - as proven by our salt spray laboratory testing. Additionally the inner stainless cable is lubricated in order to obtain the highest quality and durability, reducing the friction with the outer cable.

**KNOTT stainless steel brake cables with zinc-nickel plating guarantee the highest quality, durability and comfort.**

Flange - Flange c	H	S	Order number
1450	730	920	980207.06
1550	730	920	980207.06
1650	730	920	980207.06
1750	830	1020	980207.07
1850	830	1020	980207.07
1950	1030	1220	980207.11
2050	1030	1220	980207.11
2150	1030	1220	980207.11
2250	1230	1420	980207.14
2350	1230	1420	980207.14



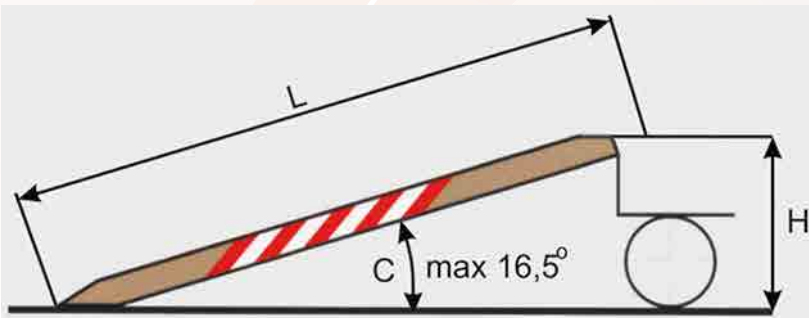
## LOADING RAMPS

- KNOTT offers high capacity and lightweight loading ramps.
- The capacity of our loading ramps range from 400 kg to 4000 kg (per pair of ramps).
- The range of available length is also wide, from 1500 mm up to 3000 mm.
- Depending on your needs, we offer deflected and non-deflected loading ramps.
- Non-deflected loading ramps are also available in a reinforced version where capacity can range up to 4000 kg at a length of 3000 mm - Cat. No. 408970.002

The non-reinforced loading ramp of the same size has a capacity up to 2000 kg (per pair of ramps) - Cat. No. 408970.001

- The deflected loading ramps intended for lower loads are available in 3 length options and 2 width options.
- The maximum capacity of deflected loading ramps is 1000 kg.

### How to determine the vehicle length correctly:



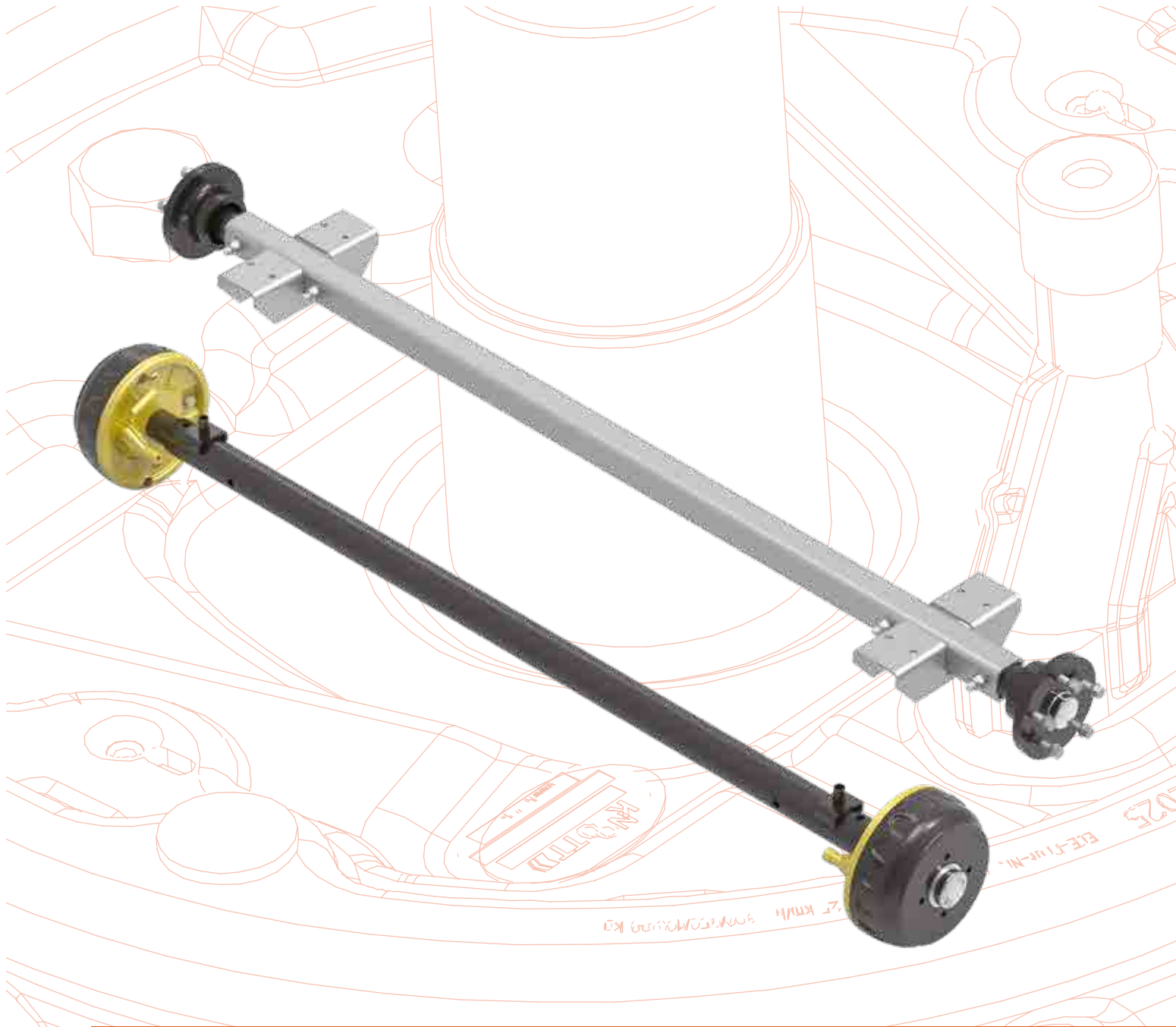
$$L = \frac{H}{C} \times 100$$

- vehicle length (mm)
- height (mm)
- inclination (%)

#### Safety rules:

- **The inclination of loading ramps cannot exceed 30%, which corresponds to the angle of approx. 16,5°.**
- **The loading ramp must be fixed at the end to prevent it from falling.**





# RIGID AXLES

[www.autoflex.hu](http://www.autoflex.hu)





## UNBRAKED RIGID AXLE

### Product can be used for:

- utility trailers

### Standard surface treatment:

- hot-dip galvanization
- paint

### Load capacity:

- 500 kg to 1800 kg

### Axle body type:

- tube
- square tube

### Bearing type:

- compact ball bearing with long lifetime
- taper roller bearing

### The product package includes:

- axle with type plate
- hub or drum brake

### NEW DESIGN!

Solid axle with additional protector cup. It protects the seal against stones and debris in a harsh environment.

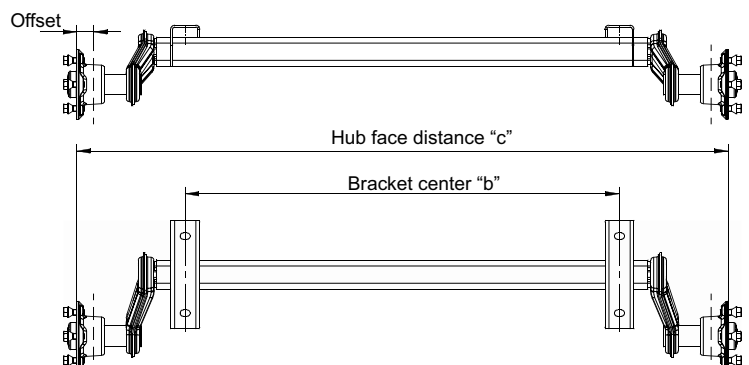
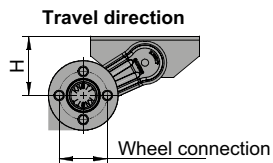
### Additional:

- leaf spring
- shock absorber
- protector cup

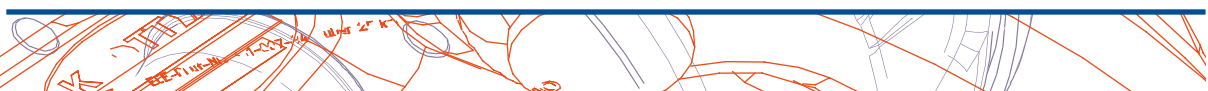


If you are interested in our product, please give the following parameters to our sales personnel to help you choose the best type suited to your needs:

- c, b size
- load capacity
- wheel connection
- offset



Axle load capacity up to 1800 kg





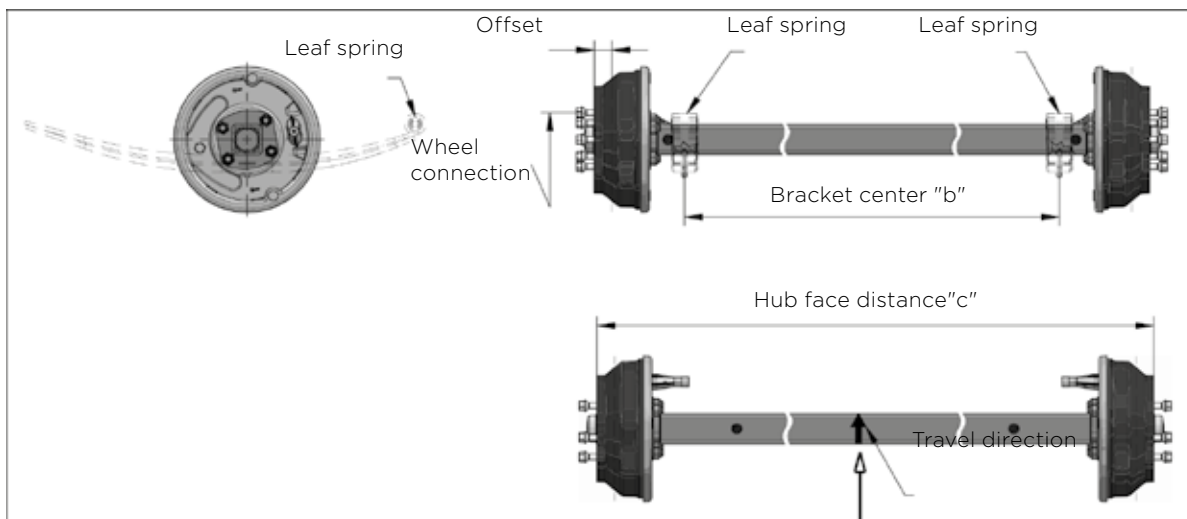
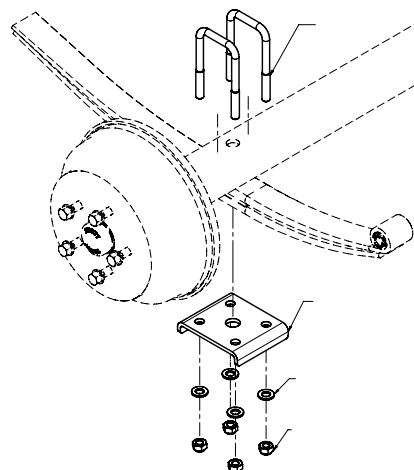
# Rigid axle with auto-reverse drum brake



**Axle load capacity up to 1800 kg**

For more sizes and info please contact our sales personnel!

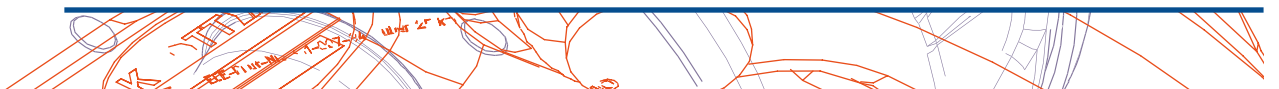
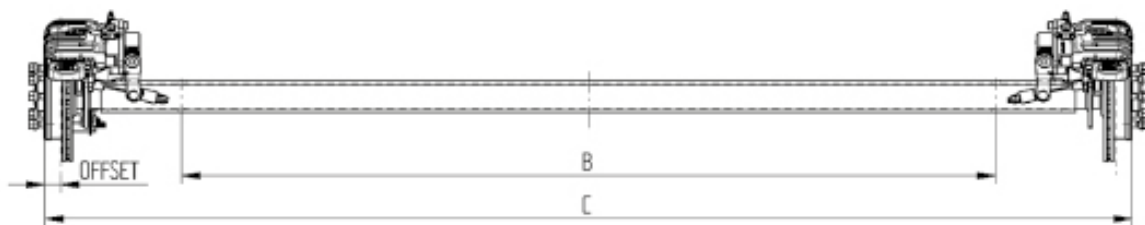
## Mounting of the Leaf Spring





## **VRB** Braked axle with disc brake

Type	Load capacity	c (mm)	b (mm)	PCD (mm)	Offset (mm)	Art. number
VRB-18 MV	1800 kg	2070	1550	∅112x5	25-35	6AE925.001

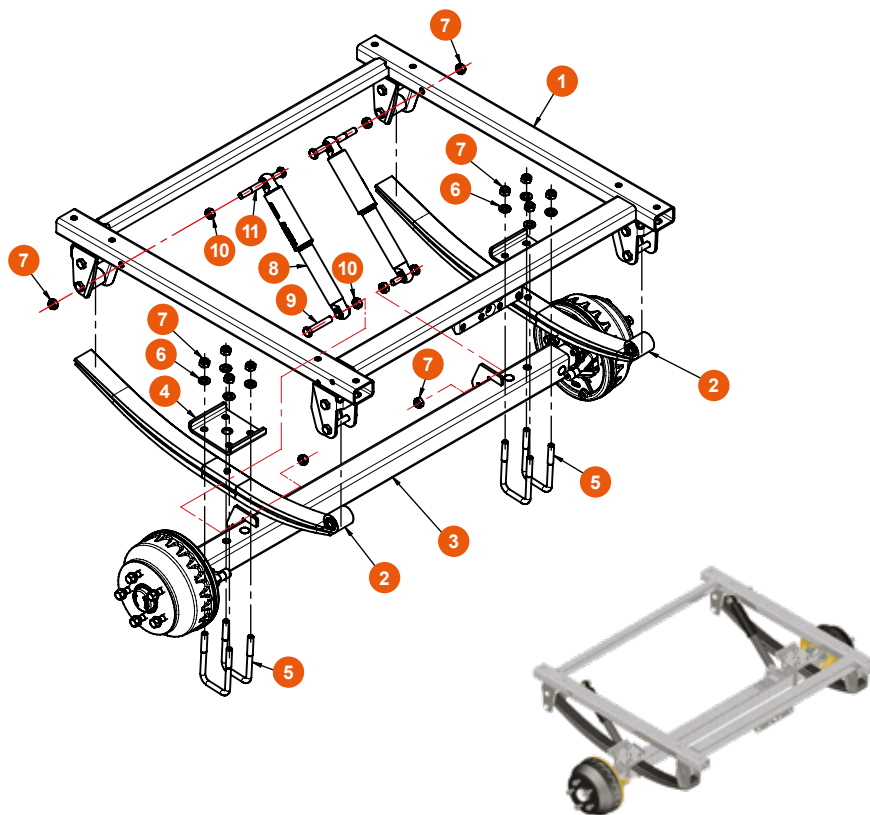






## MOUNTING OF THE LEAF SPRING

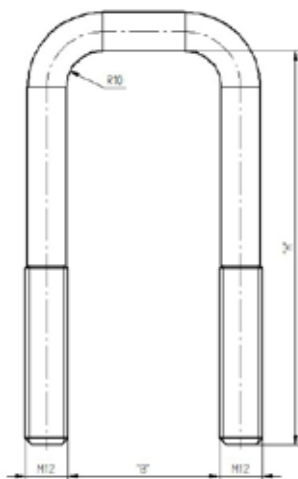
N°	Pcs	Spare part name
1	1	Frame kpl.
2	2	Leaf spring
3	1	Axle cpl.
4	2	Bolt-on element
5	4	U-Bolt
6	8	Washer
7	12	Hexagon lock nut
8	2	Shock absorber
9	2	Hexagon bolt
10	4	Hexagon nut
11	2	Hexagon bolt



## U-BOLT

### Used for fixing:

- axles
- mudguards
- rollers
- glide bunk
- winches
- jacks
- and other trailer part elements



Art. number	H (mm)	B (mm)
6X1126.001	110	52
6X1126.002	120	52
6X1126.003	130	52
6X1126.004	150	52
6X1126.005	170	52
6X1126.006	110	42
6X1126.007	130	42
6X1126.008	150	42
6X1126.009	120	60
6X1126.010	120	40
6X1126.011	150	60
6X1126.012	150	100
6X1126.013	150	80
6X1126.014	90	60
6X1126.015	150	120
6X1126.016	90	80
6X1126.017	140	70
6X1126.018	70	80
6X1126.019	140	40
6X1126.020	105	100
6X1126.021	100	100

Art. number	H (mm)	B (mm)
6X1126.022	120	100
6X1126.023	150	90
6X1126.024	120	82
6X1126.025	140	60
6X1126.026	90	40
6X1126.027	80	60
6X1126.028	170	60
6X1126.029	160	41
6X1126.030	140	106
6X1126.031	180	41
6X1126.032	115	61
6X1126.033	80	86
6X1126.034	140	42
6X1126.035	140	53
6X1126.036	80	74
6X1126.037	70	62
6X1126.038	105	62
6X1126.039	70	86
6X1126.040	170	42
6X1126.041	130	106
6X1126.042	145	56

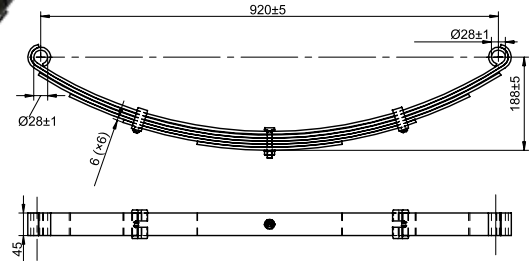


# LEAF SPRING FOR RIGID AXLES

## 6X1356.001

### Double-eye leaf spring

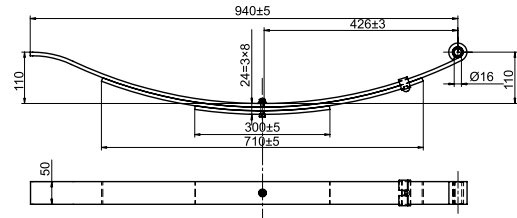
(6 mm leaf 6 pcs)  
Spring capacity: 375 kg  
Self weight: 11 kg



## 6X1356.004

### Open-eye leaf spring with flat end

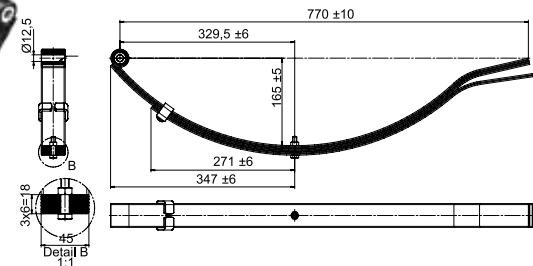
(8 mm leaf 3 pcs)  
Spring capacity: 375 kg  
Self weight: 6,6 kg



## 6X1356.010

### Open-eye leaf spring with flat end

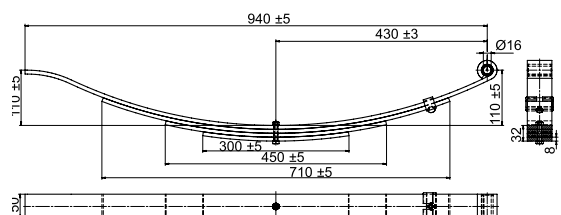
(6 mm leaf 3 pcs)  
Spring capacity: 375 kg  
Self weight: 5,6 kg



## 6X1356.009

### Open-eye leaf spring with flat end

(8 mm leaf 4 pcs)  
Spring capacity: 450 kg  
Self weight: 8 kg

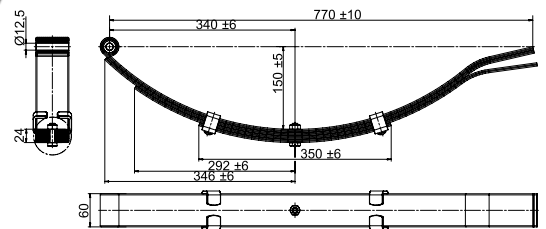




## 6X1356.011

### Open-eye leaf spring with flat end

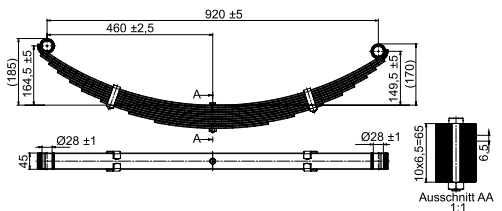
(6 mm leaf 4 pcs)  
Spring capacity: 450 kg  
Self weight: 8,5 kg



## 6X1356.006

### Double-eye leaf spring

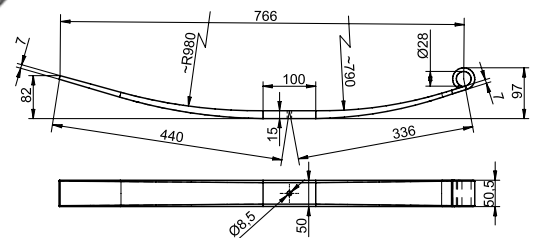
(6,5 mm leaf 10 pcs)  
Spring capacity: 900 kg  
Self weight: 18,8 kg



## 6B4699.011

### Open-eye parabolic leaf spring with flat end

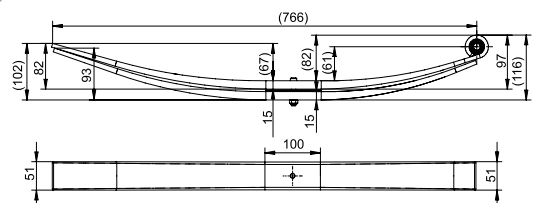
(7-15 mm leaf 1 pcs)  
Spring capacity: 500 kg  
Self weight: 3,7 kg



## 6B4590.001

### Open-eye parabolic leaf spring with flat end

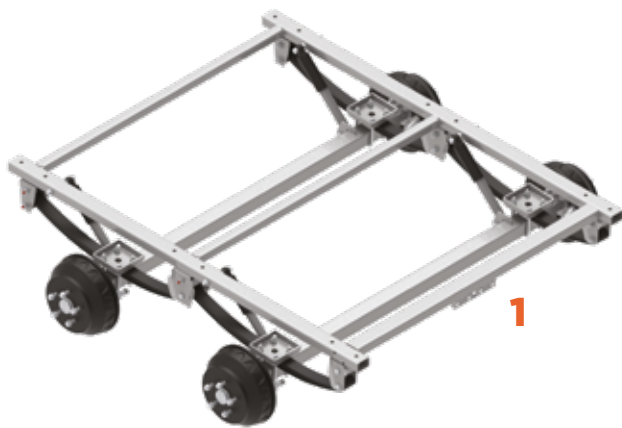
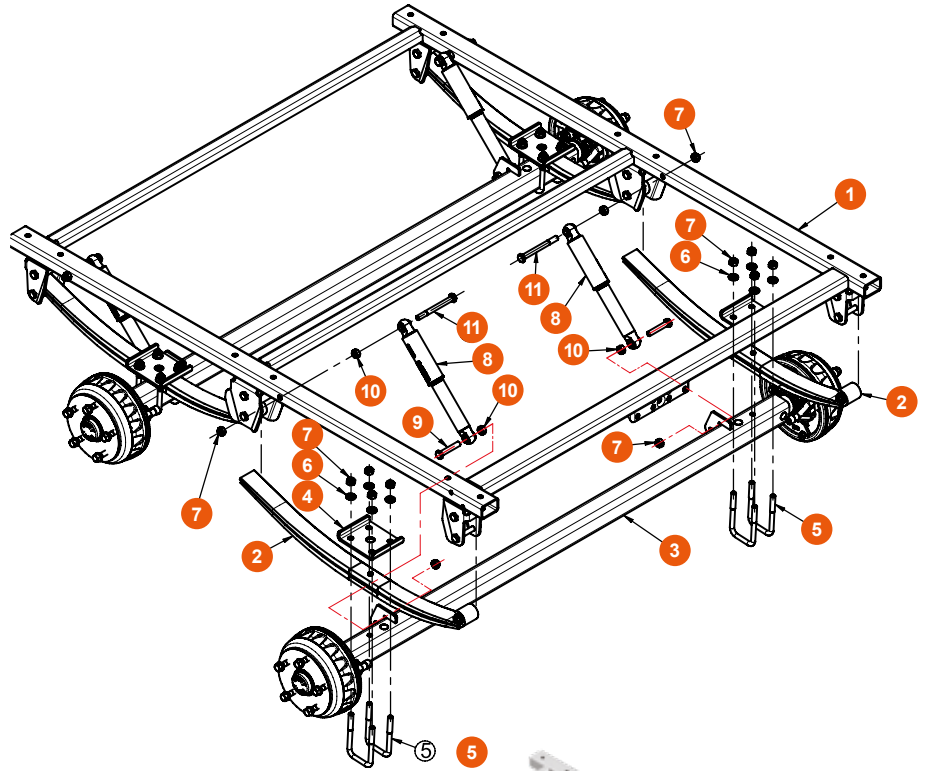
(7-15 mm leaf 2 pcs)  
Spring capacity: 900 kg  
Self weight: 7,3 kg





## MOUNTING OPTION OF THE LEAF SPRING

N°	Pcs	Spare part name
1	1	Frame kpl.
2	4	Leaf spring
3	2	Axle cpl.
4	4	Bolt-on element
5	8	U-Bolt
6	16	Washer
7	24	Hexagon lock nut
8	4	Shock absorber
9	4	Hexagon bolt
10	8	Hexagon nut
11	4	Hexagon bolt



1



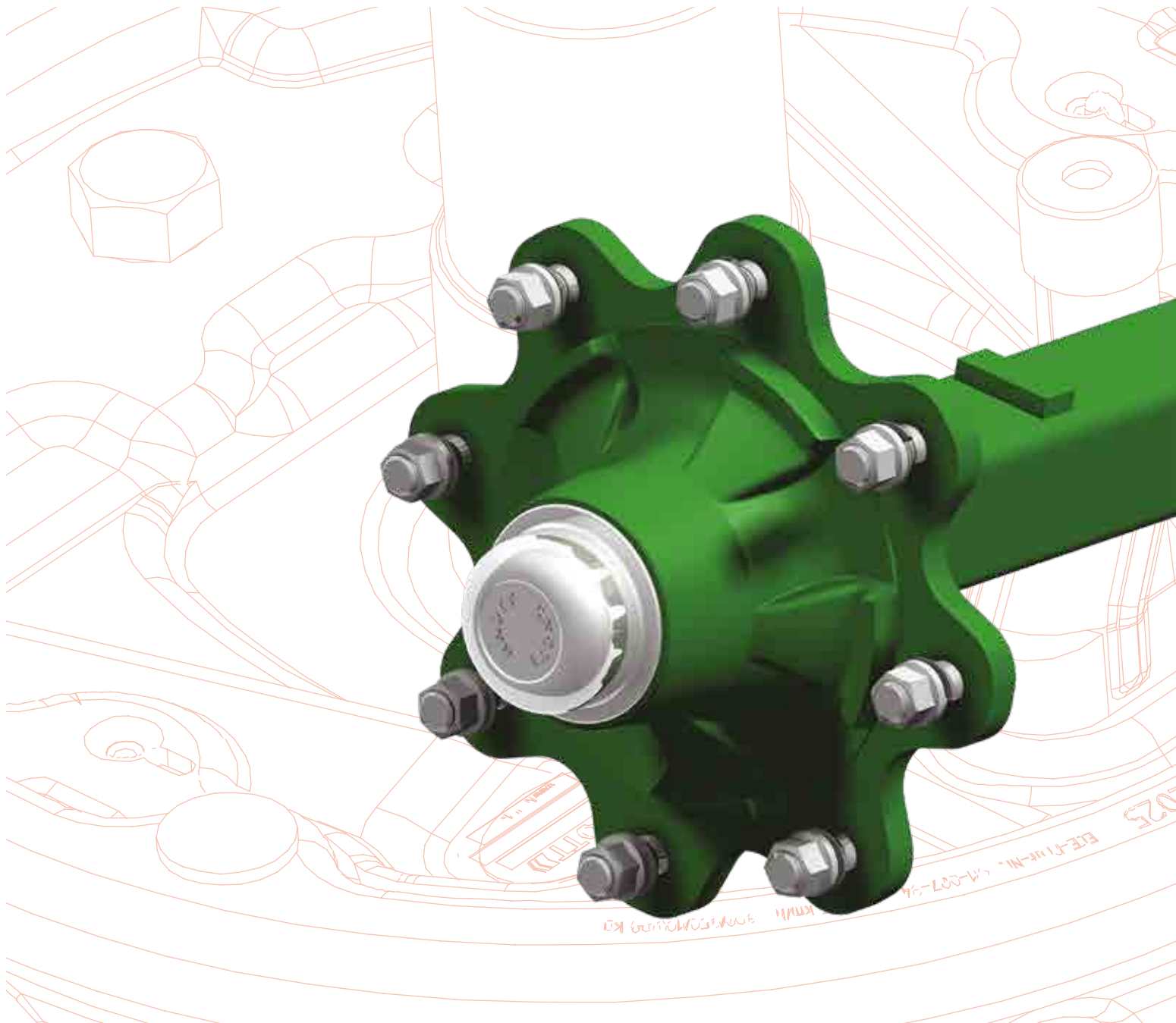
2

The leaf springs can be overslung (placed over the axle) (1) or underslung (placed under the axle) (2). Either way, the U-bolts fit around the axle and secure the metal plate that rests against the leaf springs.

## RUBBER BUFFER

### 6BB471.001





# AGRICULTURAL AXLES

[www.autoflex.hu](http://www.autoflex.hu)



# FOUR ARE BETTER THAN THREE. Safer journeys with the original comfort axle from KNOTT.

## Why four are better than three?

Are you already safely on the road with your caravan or trailer? It's worth noting that on many rubber torsion spring axles the suspension load is distributed over just three rubber elements.

### We insist using four rubber elements at the heart of our axles;

- for greater resistance against dangerous swaying
- because they surround a larger area of the inner member preventing the axle from "steering"
- for greater stability
- for better suspension characteristics and a significantly more accurate suspension setting

**For more comfort and safety on all your journeys.**

## But all good things can be made better.

The square axle inner tube has concave sides, this guarantees **accuracy of assembly, long service life and outstanding suspension characteristics.** Our comfort axle adapts to different road conditions like no other; a smooth and comfortable ride whether the trailer or caravan is partially or fully laden - coupled with a large safety factor in case of overload.

Your journeys are now even safer with original KNOTT trailer technology, no matter what type of trailer you have.

### 0° = unloaded

Not three but four rubber elements surround the inner member of the original KNOTT axle to provide greater towing stability.



### 15° = 1,0 x nominal load

The inner member gently flexes the rubber thanks to its unique shape, instead of crushing it: for a long service life and significantly more comfortable ride.



### 30° = 2,0 x nominal load

The clever bead in the axle tube prevents the inner member from rotating in the event of overload.

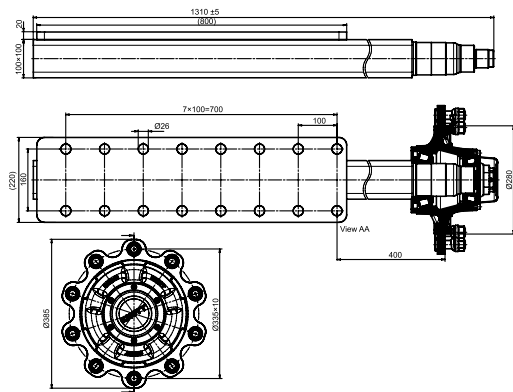




# UNBRAKED HALF-AXLE FOR AGRICULTURAL RIGID AXLES

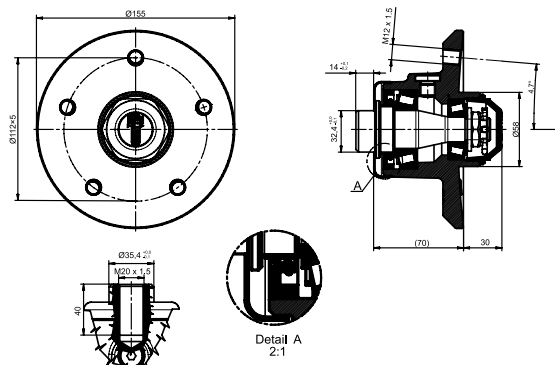
## FNK 46

Type	40 km / h			Offset (mm)	PCD (mm)	Center hole (mm)	Art. number
FNK 63	825	975	725	0	∅140x5	94	6BC195.001
FNK 45	1350	1600	1200	0	∅205x6	160	6BB558.001
FNK 62	1750	2050	1500	0	∅205x6	160	6BC194.001
FNK 47	2000	2500	1750	0	∅205x6	160	6B7455.001
FNK 61	3250	3750	3000	0	∅205x6	160	6BC193.001
FNK 44	3350	3700	3000	0	∅275x8	220	6B8230.001
FNK 59	3850	4200	3500	0	∅205x6	160	6BB565.001
FNK 60	4000	4500	3750	0	∅275x8	220	6BE747.001
FNK 46	5500	6250	4750	0	∅335x10	280	6B7445.001
FNK 64		3500			∅205x6	160	6BC227.001
FNK 65		6000			∅229x6	160	6BC228.001



# UNBRAKED HUB AND STUB FOR AGRICULTURAL AXLES

## FNK 66





## UNBRAKED HUB AND STUB FOR AGRICULTURAL RIGID AXLES

### **FNK 63**

Art. number: 6BC195.001



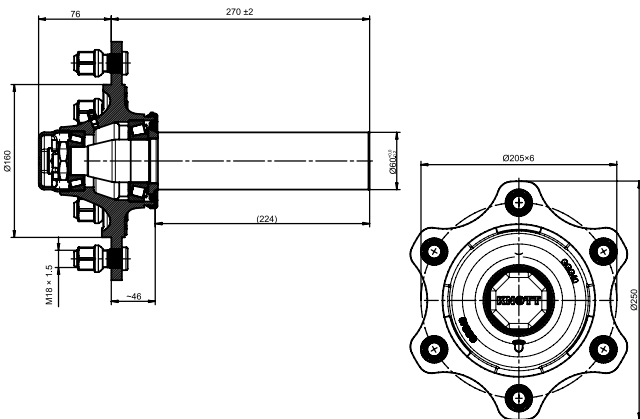
### **FNK 44**

Art. number: 6B8230.001



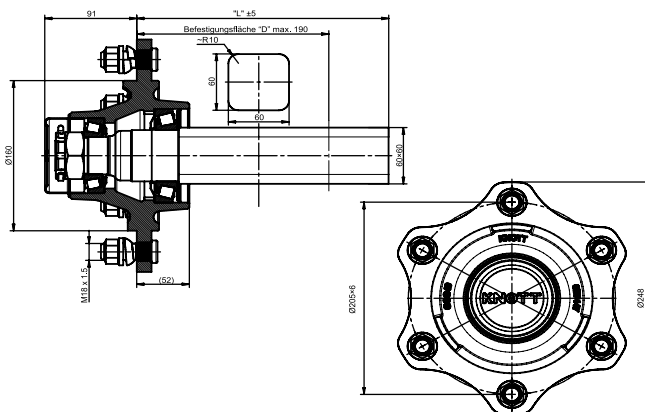
### **FNK 45**

Art. number: 6BB558.001



### **FNK 47**

Art. number: 6BC231.001







## FNK 61

Art. number: 6BC193.001



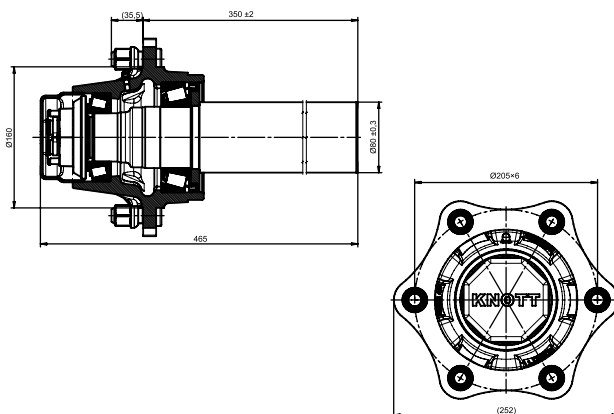
## FNK 62

Art. number: 6BC194.001



## FNK 59

Art. number: 6BB565.001



## FNK 64

Art. number: 6BC227.001



## FNK 65

Art. number: 6BC228.001





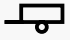
# BRAKED AXLE FOR AGRICULTURAL MACHINERY

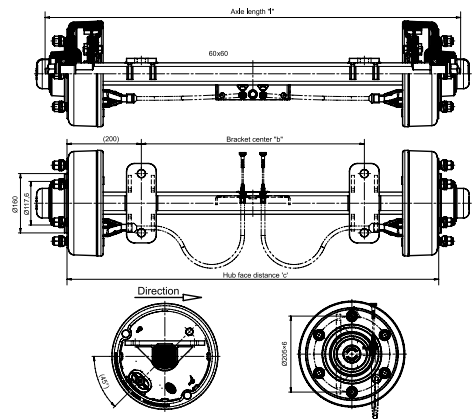
## 6AC342.001

Axle:

Drawing number	Brake	Brake type	Certification	Automatic reverse control	Center hole
6AC342	250x40	25-2025	361-007-94	Backmat	Ø160

Type	Art. number	Brake control	Status	Greasing nipple	PCD
VRB 27 200	6AC342.001	spread lever	-	none	205x6

VRB 27	Speed	Load capacity
	40 km / h	3700 kg




## 6AA949.001

Axle:

Drawing number	Brake	Brake type	Certification	Automatic reverse control	Center hole
6AA949	300x60	30-4305	361-047-12	none	Ø220

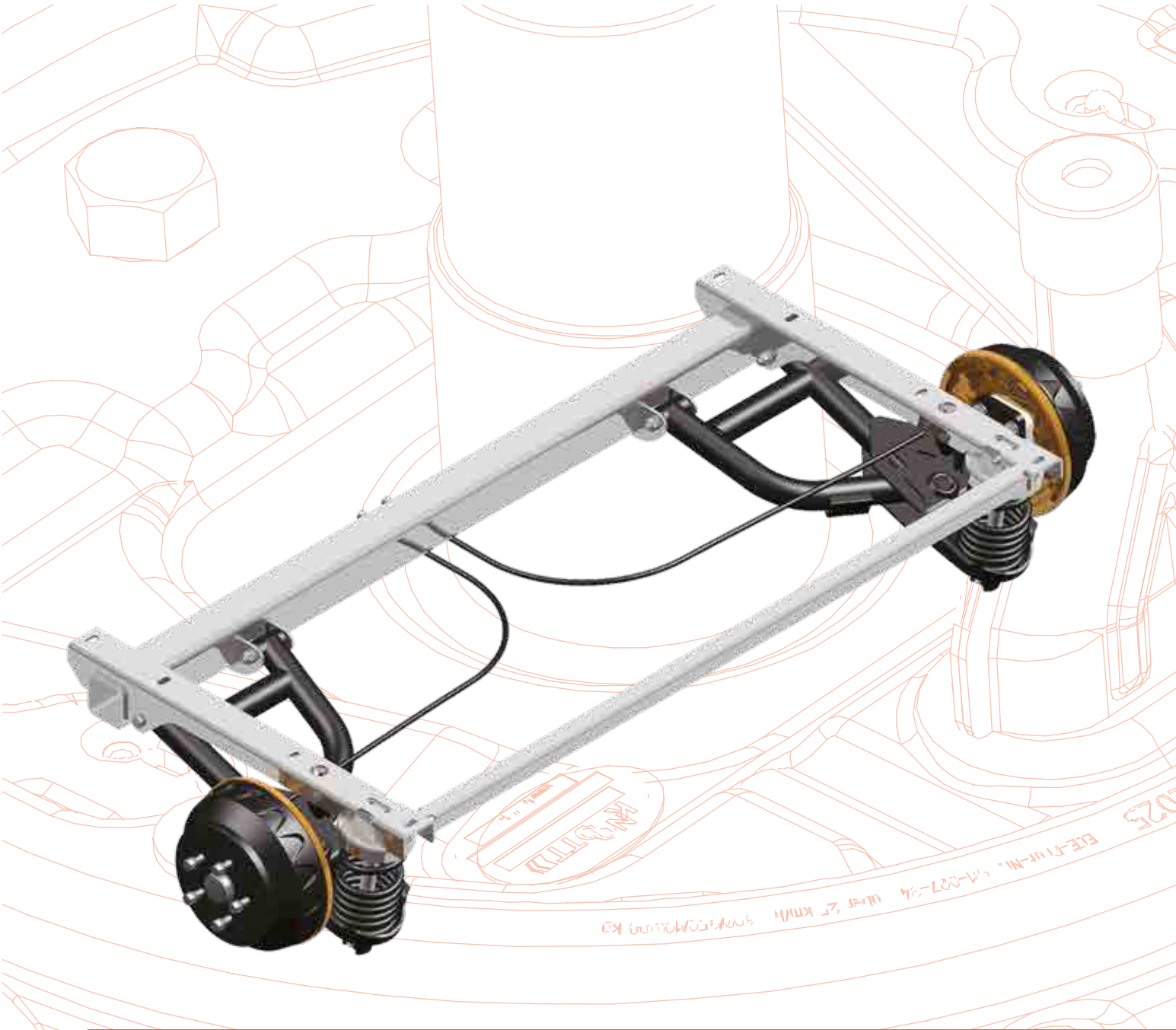
Type	Art. number	Brake control	Status	Greasing nipple	PCD
VRB 37 215	6AA949.001	CAM, N	-	none	275x8

VRB 37	Speed	Load capacity
	40 km / h	3700 kg



slack adjuster





# SPIRAL SPRING AXLES

[www.autoflex.hu](http://www.autoflex.hu)

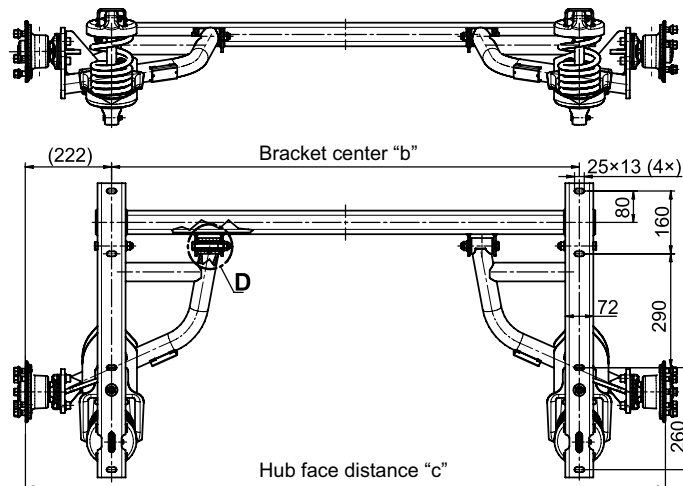
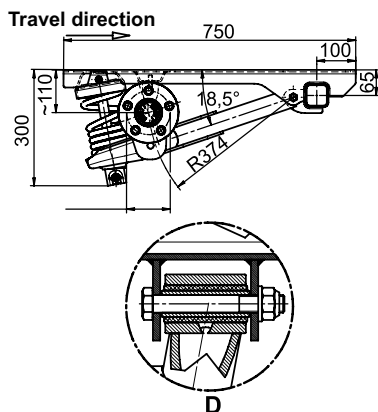




# UNBRAKED AXLE WITH SPIRAL SPRING

Type	Load capacity (kg)	c (mm)	b (mm)	PCD (mm)	Offset (mm)	Art. number
SGL 13 L	1350	1644	1200	∅112x5	26-35	6AB899.001
SGL 13 L	1350	1544	1100	∅112x5	26-35	6AB899.002
SGL 13 L	1350	1444	1000	∅139,7x6	26-35	6AB899.003
SGL 13 L	1350	1544	1100	∅139,7x6	26-35	6AB899.004

**For more information please contact our sales personnel!  
 These axles are available according to inquiry.  
 More types are available.  
 Please ask our sales personnel for current drawings!**





## BRAKED AXLE WITH SPIRAL SPRING

Type	Load capacity (kg)	c (mm)	b (mm)	PCD (mm)	Offset (mm)	Art. number
SGB 13 L	1350	1644	1200	∅112x5	26-35	6AB302.001
SGB 15 MV	1500	2146	1670	∅112x5	0-45	6AC212.001
SGB 18 MV	1800	1844	1400	∅112x5	26-35	6AB612.001



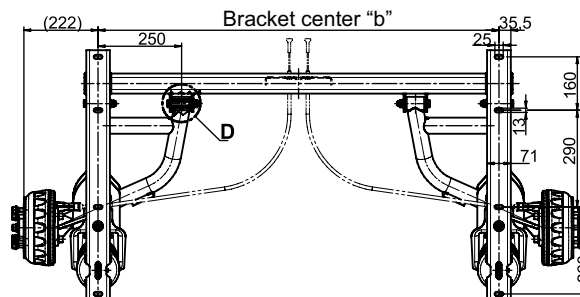
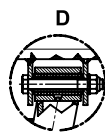
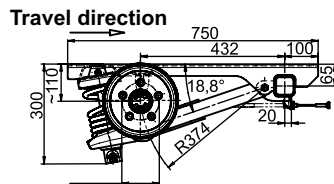
**SGB 13**



**SGB 15**



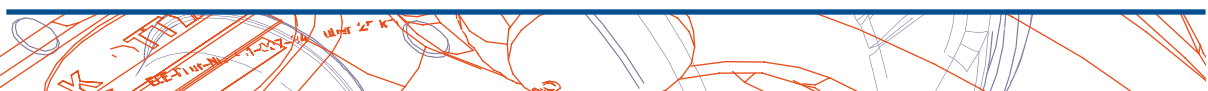
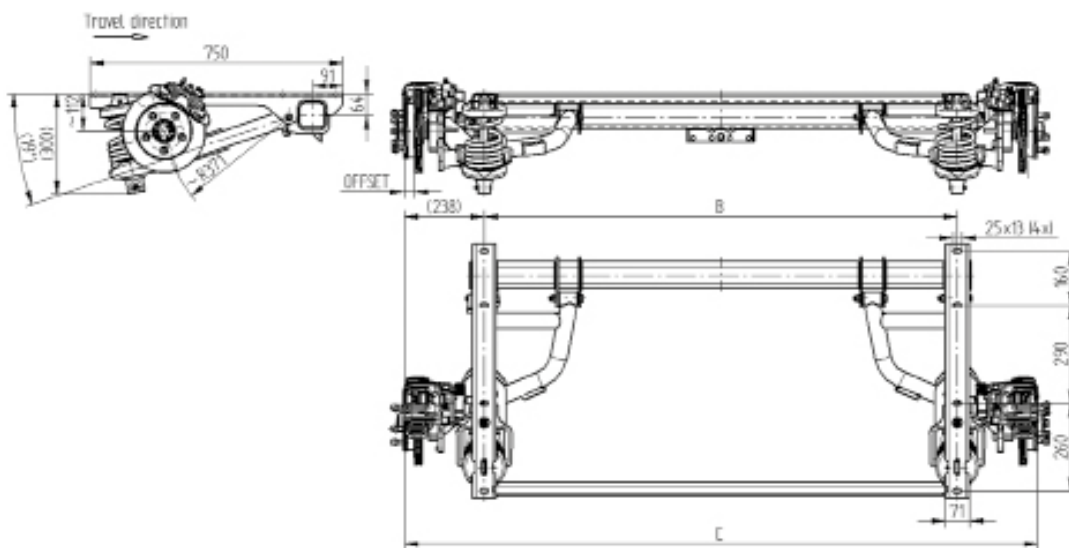
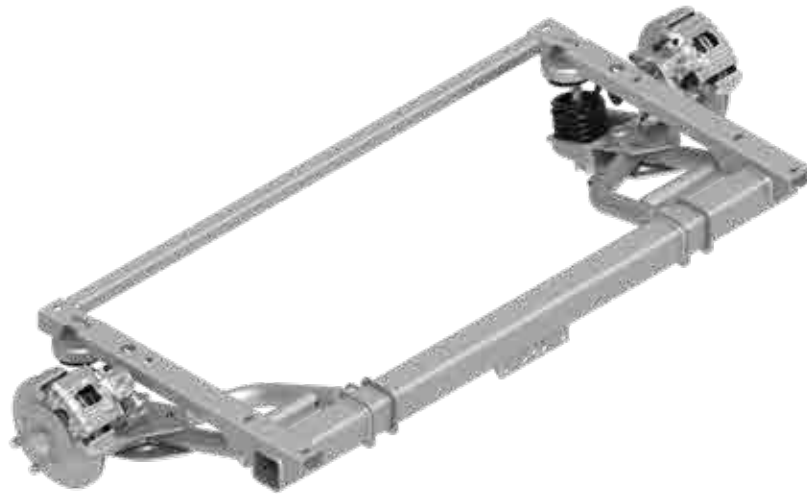
**SGB 18**





## SGB Braked axle with disc brake

Type	Load capacity	c (mm)	b (mm)	PCD (mm)	Offset (mm)	Art. number
SGB 18 MV	1800 kg	1876	1400	Ø112x5	25-35	6AE615.001

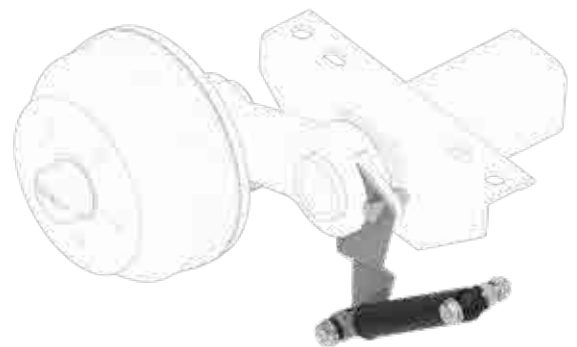
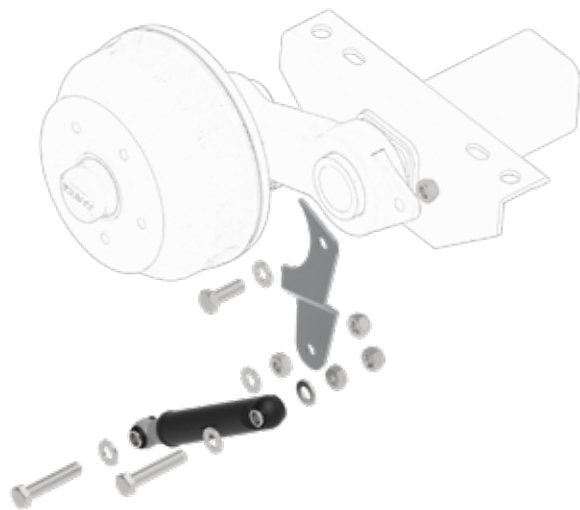
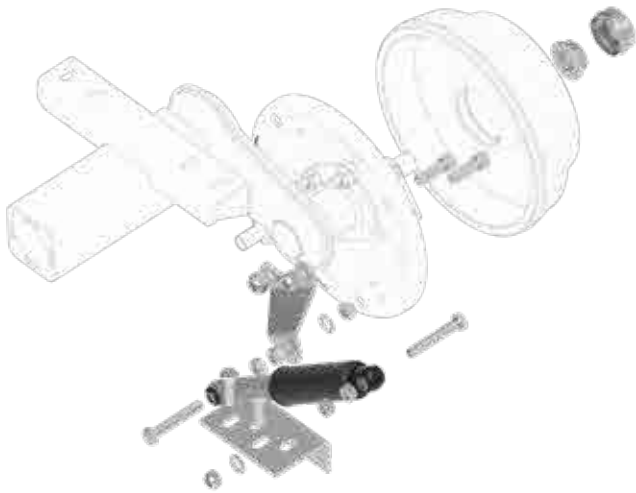




# Shock absorber retrofit kit

Type	Art. number
for F 200x50 brakes	6BJ424.001
for F 200x40 brakes	6BJ423.001

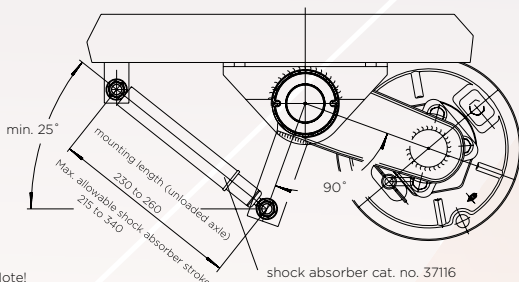
**Retrofit instruction: SK60019**



# SHOCK ABSORBERS

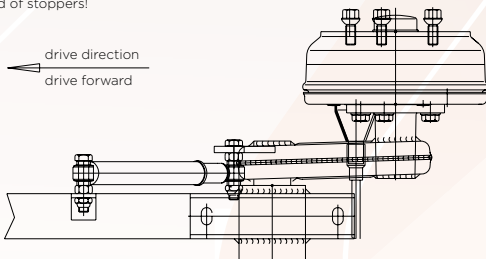
- Shock absorbers mounted on the bracket and frame are designed to improve drive comfort by absorbing vibrations from the suspension system.
- Below is the method of mounting to the frame, installation length and maximum allowable stroke of the multi-purpose shock absorber.

Note!  
The shock absorber guard should point up!

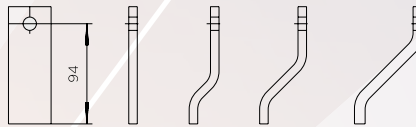


Note!  
Do not use shock absorbers instead of stoppers!

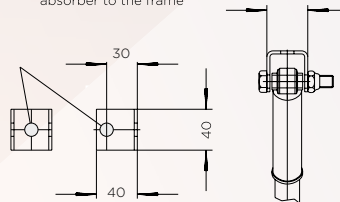
drive direction  
drive forward



Additional shock absorber brackets various crank levels!

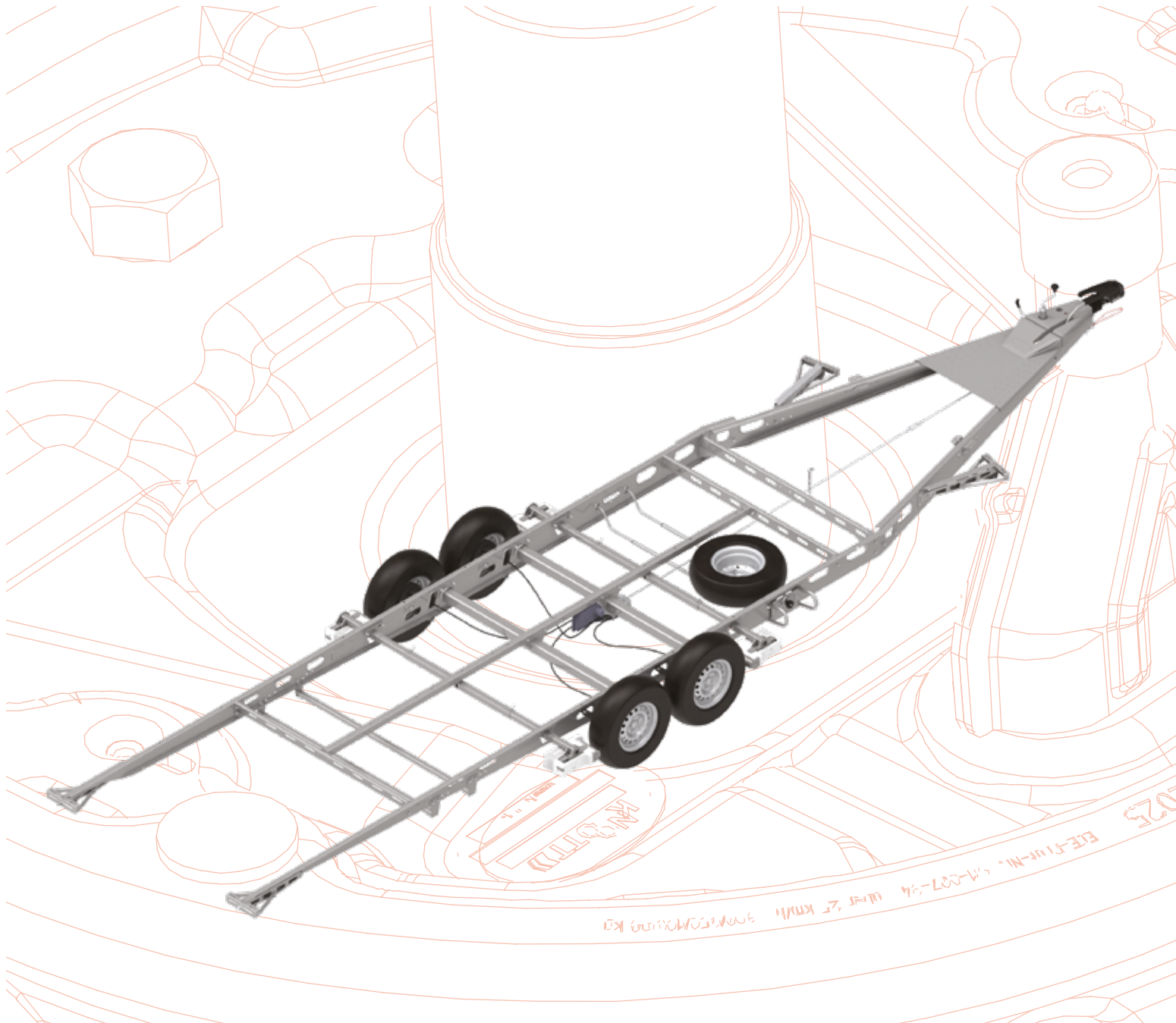


Bracket 47266 for fixing shock absorber to the frame



- The shock absorbers available in our product offering come in multi-purpose and pneumatic versions featuring different rigidity, which translates into different driving characteristics.
- Because of their different parameters, our shock absorbers can meet all sorts of customer requirements.
- For optimum performance, shock absorbers should be installed inclined at approximately 25 degrees to the drive direction.
- Standard Knott axles can be easily provided with a bracket to facilitate the installation of shock absorbers.
- As standard, shock absorbers are mounted in front of the axle; however, we also offer "inverted" shock absorbers, on special orders, to be mounted behind the axle.





# CHASSIS

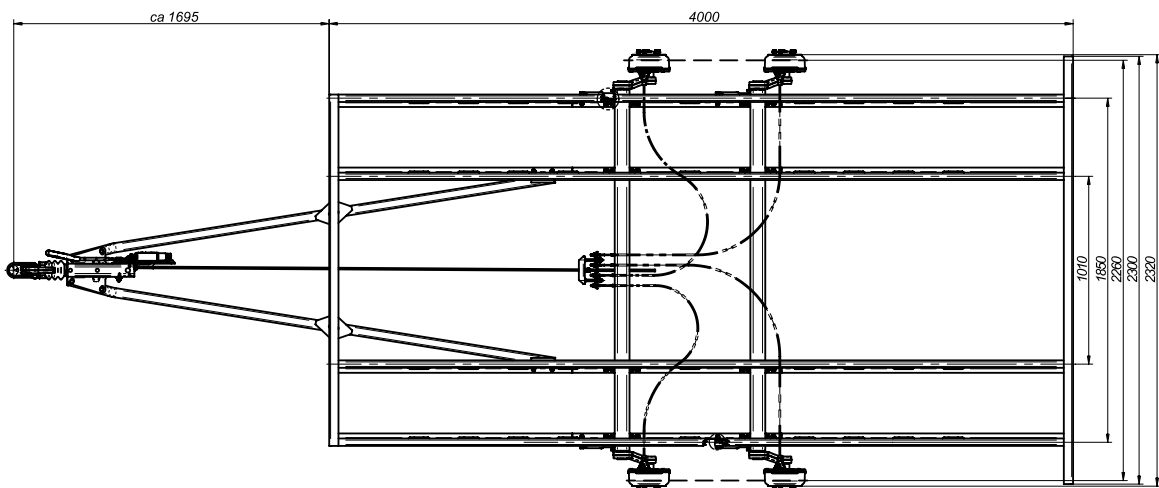
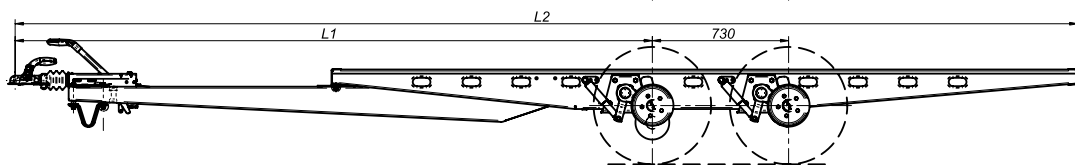
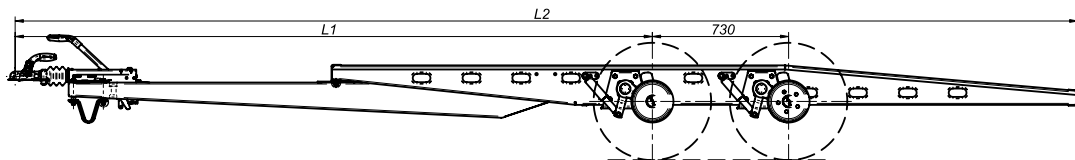
[www.autoflex.hu](http://www.autoflex.hu)





## LIGHT CONSTRUCTIONED SELF-SUPPORTING FRAME

Type	L (mm)	L1 (mm)	L2 (mm)	Own weight	Vertical load max. (kg)	Art. number	Version
UT 2000	4000	3415	5695	295 kg	2000	6A6721.001	bolted
UT 2700	4000	3415	5695	305 kg	2700	6A6722.001	bolted
UT 3500	4000	2990	5270	671 kg	3500	6B3011.001	bolted
AT 2000	4000	3415	5695	295 kg	2000	6A6723.001	bolted
AT 2700	4000	3415	5695	305 kg	2700	6A6724.001	bolted
AT 3500	4000	2990	5270	663 kg	3500	6B2861.001	bolted





## CHASSIS FOR UTILITY TRAILERS

Load capacity: up to 2700 kg



Load capacity: up to 3500 kg



## CHASSIS FOR CAR TRANSPORTER TRAILERS

Load capacity: up to 3500 kg



- Mountable version
- Lightweight design
- Hot-dip galvanised surface
- Mono and tandem version
- Connectable with optional body
- Easy assembly
- Little storage and carriage requirement
- As demanded mounted with shock-absorber



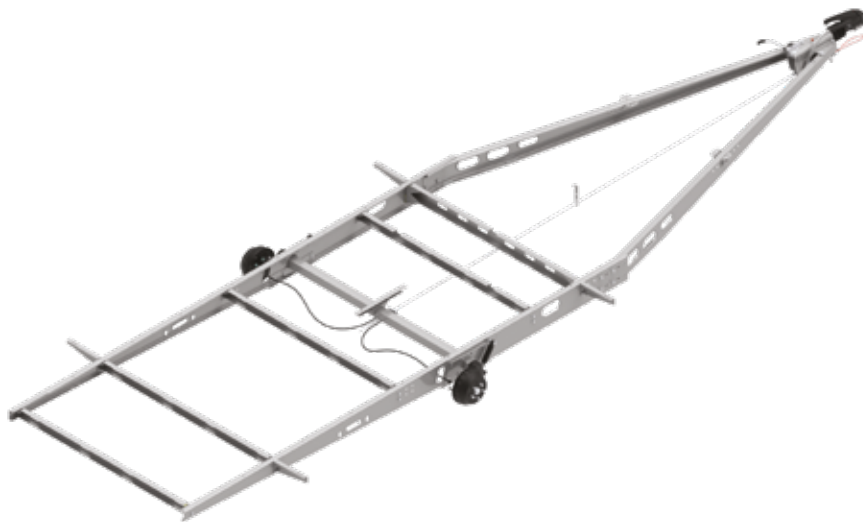


## CHASSIS FOR CARAVANS

Load capacity: up to 1500 kg



Load capacity: up to 2000 kg



Load capacity: up to 2700 kg





## CARAVAN ACCESSORIES

### Easy Driver caravan mover

Type	Art. number
Easy Driver basic 1,8	417346.001
Easy Driver basic 2,3	417347.001
Easy Driver basic 2,8 - tandem	417348.001
Easy Driver basic 3,1 - tandem	417349.001
Easy Driver pro 1,8	417350.001
Easy Driver pro 2,3	417351.001
Easy Driver pro 2,8 - tandem	417352.001
Easy Driver pro 3,1 - tandem	417353.001



### Spare wheel holder for caravans

Art. number: 421241.001



### ETS Plus

Load capacity	Art. number
1000 - 1400 kg	209200.001
1400 - 1800 kg	209200.002
1800 - 2400 kg	209200.003
3500 kg	209200.004
1600 - 2100 kg	209200.007
2100 - 2700 kg	209200.008





## Overrun device cover for KFL 20-27 GFV type

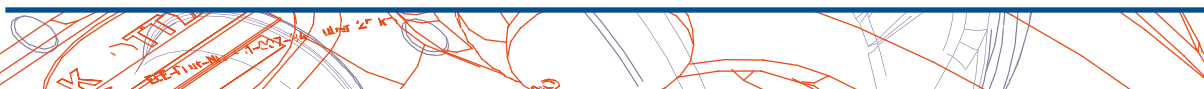
Type	Art. number
only cover	6BC832.001
with accessories	6BC832.800
with accessories	6BC832.900
for ETS LED	6BJ078.001
for ETS LED with accessories	6BJ320.001

**Material:**  
Luran S 778 T



## Overrun device cover for KFL 14 GF type

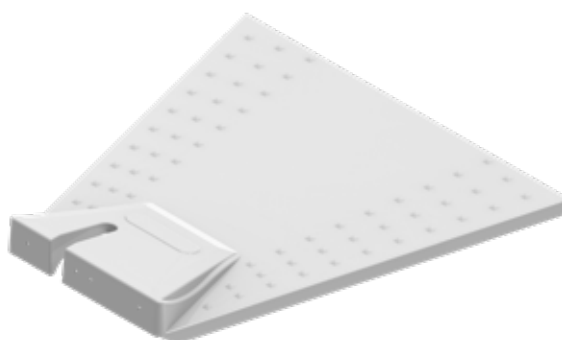
Type	Art. number
only cover	6BJ077.001
with accessories	6BJ318.800
with accessories	6BJ318.900
for ETS LED	6BJ078.001
for ETS LED with accessories	6BJ320.001





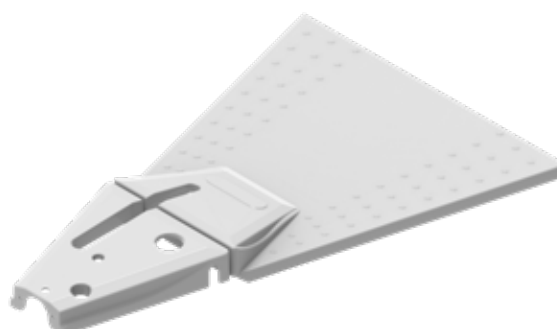
## A-FRAME COVER

Art. number: 6BL084.001



## OVERRUN DEVICE + A-FRAME COVER

Art. number: 6BC832 + 6BL084



## TIRE CONTROL

Art. number: 210141



## EASYDRIVER

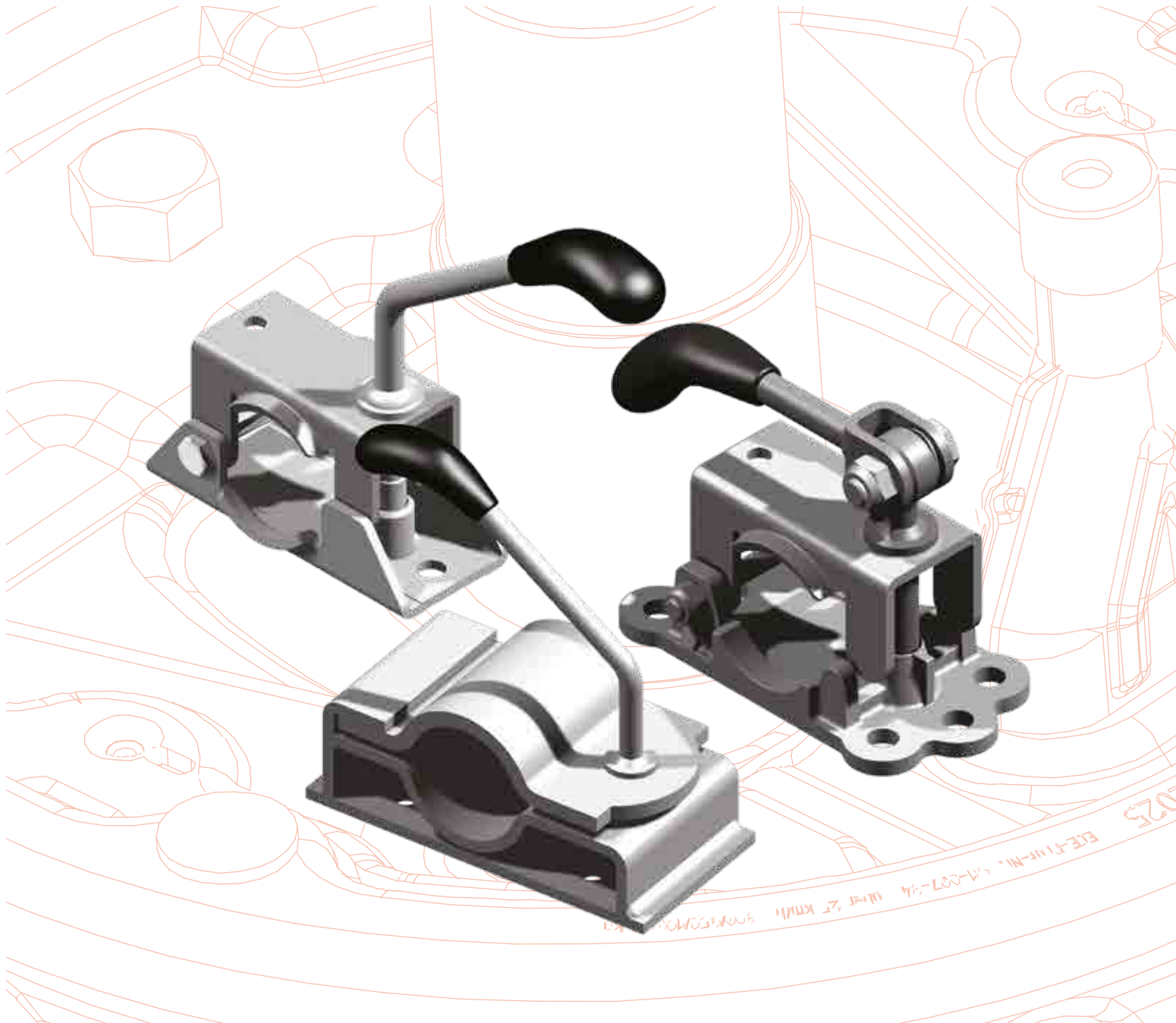
Holidays are wonderful and enjoyable times, with caravanning being one of the best ways to spend them. Unfortunately, the caravan can be very heavy and maneuvering them in a campsite is not easy. To remove the stress and physical strain we introduce innovative devices to aid you positioning your trailer - the easydriver pro and easydriver basic. The new easydriver caravan mover will help you move your single or double-axle caravan more easily. With our new easydriver pro and easydriver basic caravan moving device, maneuvering even in tight areas, or in situations that require a lot of force, the easydriver makes moving your caravan easy. Soft start facility allows for a gentle pull away, adjusting to maneuver around even the tightest bends. In the caravan park or at home - for a safe grip, even on steep slopes.



- Powerful drive for any application.
- New, intuitive easydriver operation (even under difficult conditions and on steep slopes).
- Simply light, smart and compact.
- Lowest system weight with MPP (in combination with the Mobility Power Pack lithium/ion system upto 27 kg less weight).
- Very small turning radius.
- Engages electrically at the press of a button (with the easydriver pro).
- Unique engaging mechanism for optimal power transfer.
- Radio remote control for all functions with status feedback.
- Best traction for safe negotiation of slopes, wet grass, mud and rough terrain.
- Gentle pulling away and stopping with Softstart and Softstop.







# CLAMP

[www.autoflex.hu](http://www.autoflex.hu)

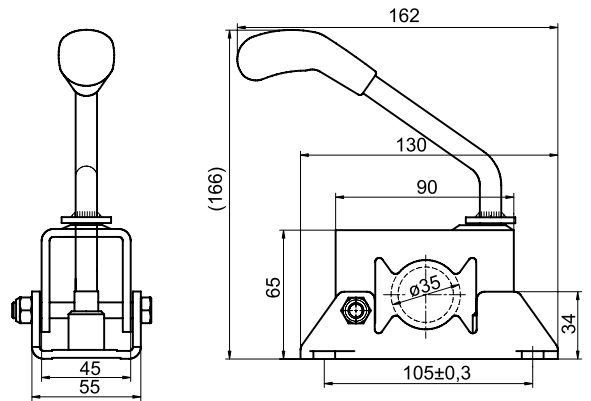




# JOCKEY WHEEL CLAMP

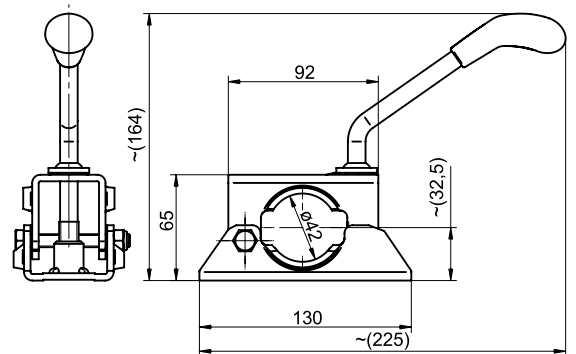
## LB 35

Type	Load capacity (max.)	Art. number
LB 35	75 kg	6F0036.001



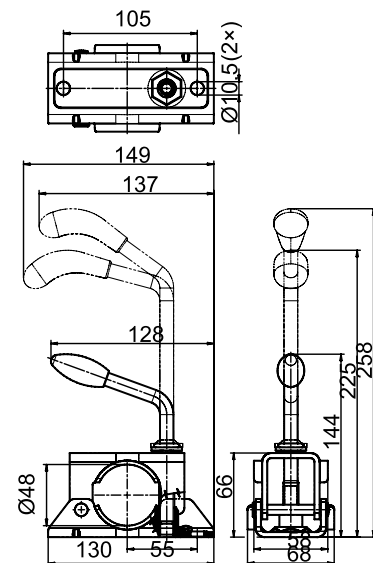
## LB 42

Type	Load capacity (max.)	Art. number
LB 42	125 kg	6F5151.001



## LB 48

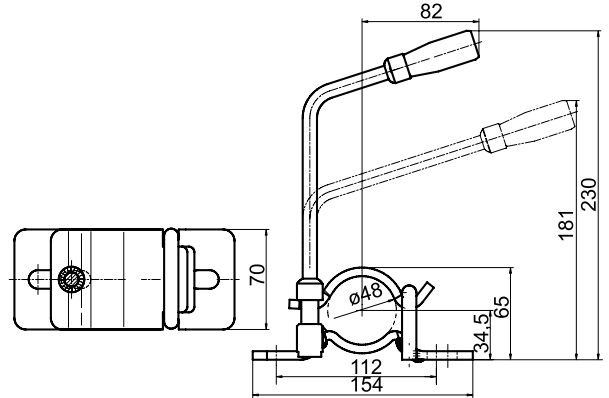
Type	Load capacity (max.)	Art. number
LB 48	200 kg	6X1097.001
LB 48	200 kg	6X1097.103





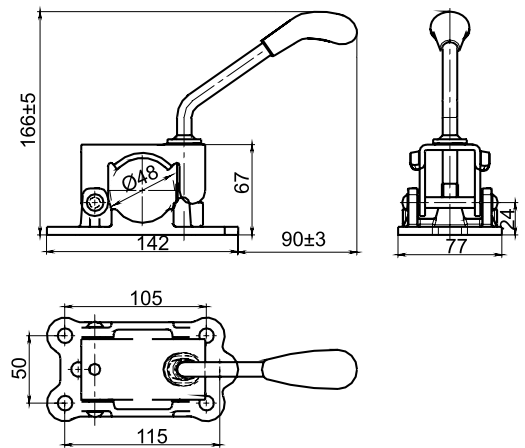
## LB 48

Type	Load capacity (max.)	Art. number
LB 48	200 kg	6F0081.001



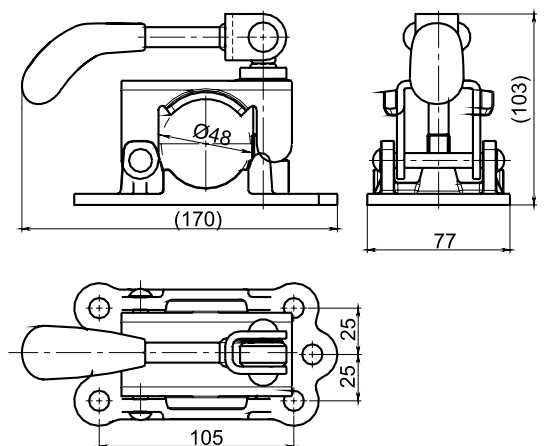
## LBG 48

Type	Load capacity (max.)	Art. number
LBG 48	250 kg	6F5121.001



## LBG 48

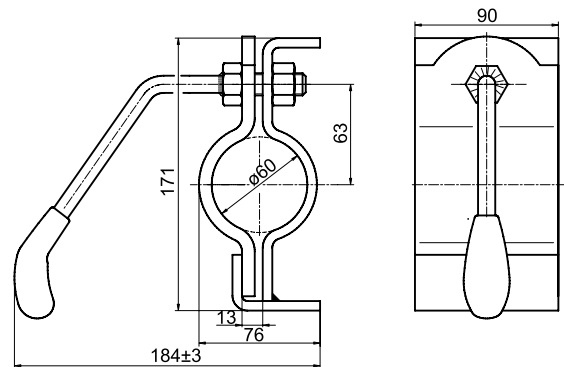
Type	Load capacity (max.)	Art. number
LBG 48	200 kg	6F5013.001





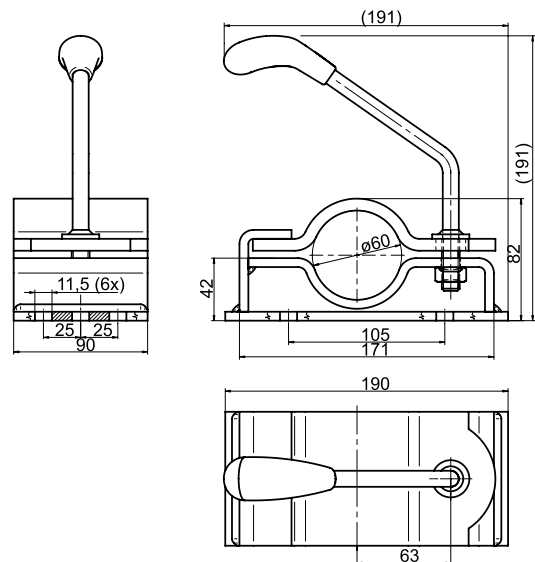
## LB 60

Type	Load capacity (max.)	Art. number
LB 60	280 kg	6F0109.001



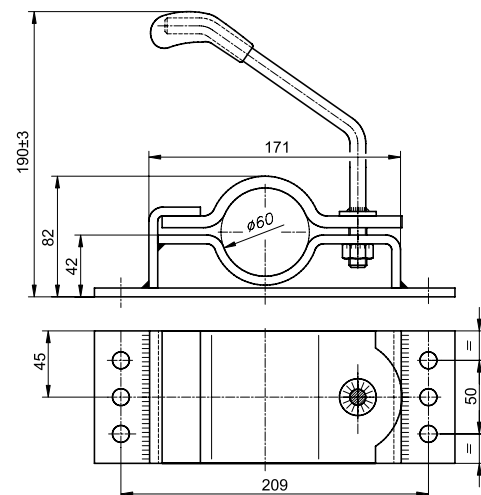
## LB 60 T1

Type	Load capacity (max.)	Art. number
LB 60 T1	280 kg	6F5047.001



## LB 60 T2

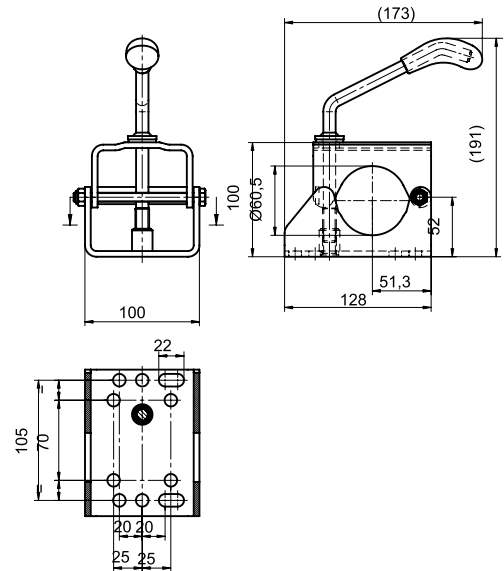
Type	Load capacity (max.)	Art. number
LB 60 T2	280 kg	6F0010.001





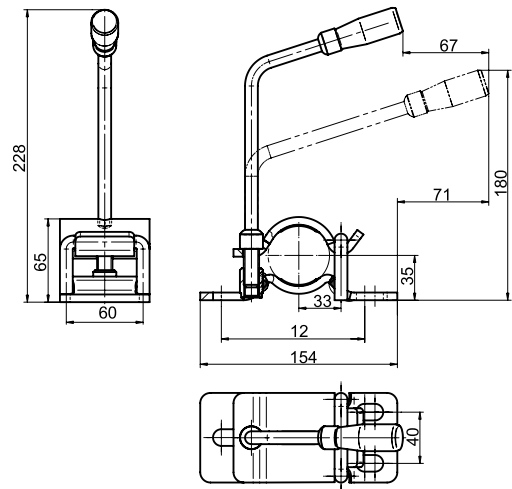
## KLE 60

Type	Load capacity (max.)	Art. number
KLE 60	250 kg	6F0095.001



## LB H 48 Jockey wheel clamp for corded tube

Type	Load capacity (max.)	Art. number
LB H 48	350 kg	6F5052.001



## KNOTT APP

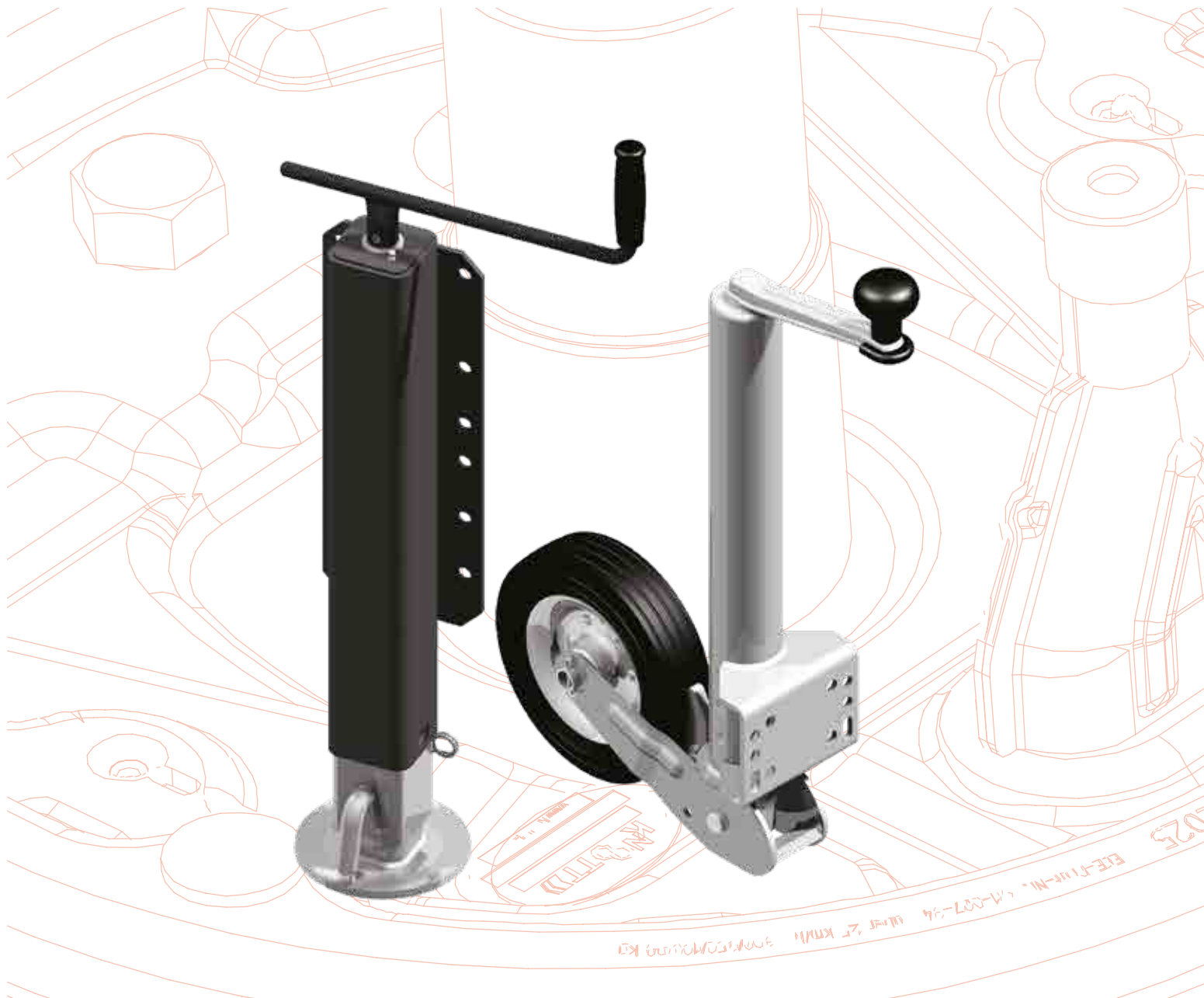
If you are the owners of parking assist systems for caravans that we offer, you can easily pair them with your smartphone. Our KnottApp application allows you to easily connect to the mover and thus it is possible to control through the application without the need for a remote control offered in sets.

It is very convenient solution at a time when everyone has access to a smartphone and the Internet. By using our application you can forget about the remote control and it is much easier to maneuver the trailer on the camping site.

**To be able to use application to control EasyDriverem, you must create a trailer profile, and then configure the connection between the smartphone and the mover. These are very intuitive and simple operations, which makes the process very fast.**

**TireControl**  
**E-Load**  
**GPS-Tracker**





# PROP STAND & JOCKEY WHEEL

[www.autoflex.hu](http://www.autoflex.hu)





## JOCKEY WHEEL AND PROP STAND

### The product can be used:

- for stabilizing the trailer nose
- as a stay-bar for trailers
- with jockey wheel to move the trailer easily

### Surface treatment:

- hot-dip galvanization
- galvanization

### Vertical load capacity:

- 50 kg to 1500 kg

### Advantages of the product:

- low maintenance cost
- swing-away option for comfortable and safe use
- the wheel is provided with needle roller or sliding bearing
- steel plate driving level with bearing and a d=5 mm pin
- automatic or fixed jockey wheel
- rotatable up to 90°
- universal crank

## Operation of the swing-away swivel jack

### Operating the swing-away swivel jack

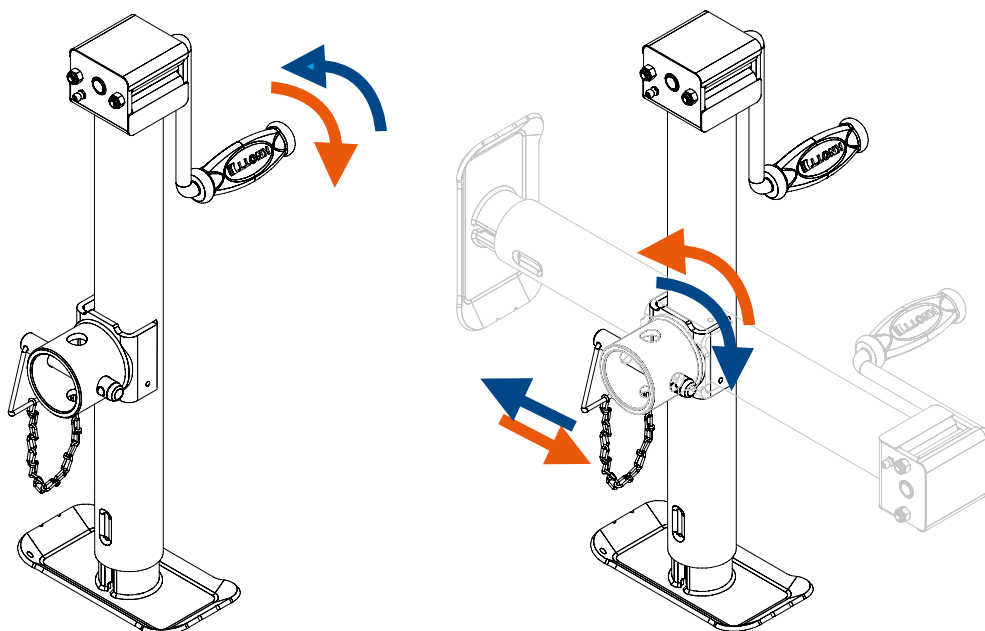
Thanks to the swing-away swivel, traveling with jockey wheel and prop stand (jack) is safer. Before traveling with your trailer put the jack into horizontal position. This way the wheel is not able to touch the ground that prevents fraying. When the vehicle is not moving put the jack into vertical position.

In both vertical and horizontal positions, the plunger must be securely positioned in the mating hole of the mounting bracket.

### Operating instructions of the swing-away swivel:

1. Secure the trailer
2. Pull the plunger pin (U-bolt) out of the opening
3. Swivel the jack
4. Rotate either left or right until the plunger pin snaps properly into the hole of the mounting bracket

**For further information about the Autoflex jockey wheel assembly and operating instructions please ask our contact personnel.**

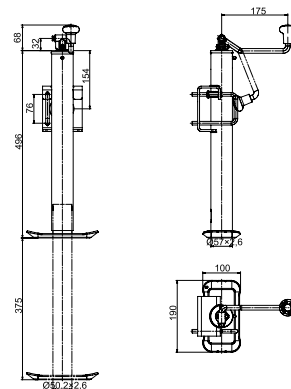
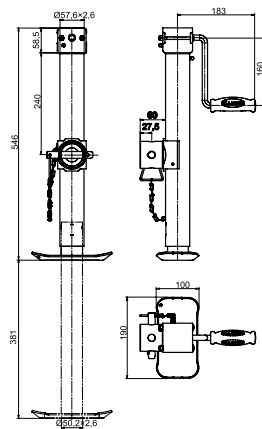




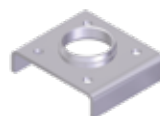


# PROP STAND

N°	Model	Vertical load (max.)	Note	Art. number
1	TTL 57	900 kg	Hot-dip galvanized + KTL + powder coated	6D7917.001
2	TTL 57	900 kg	Hot-dip galvanized + KTL + powder coated	6D7907.001
3	TTL 57	900 kg	Hot-dip galvanized + KTL + powder coated	6D7931.001
4	TTL 57	900 kg	Hot-dip galvanized + KTL + powder coated	6D7975.001
5	TTL 48	900 kg	Hot-dip galvanized + KTL + powder coated	6D8608.001



**Mounting tube**  
Art. number: 6D8080.001



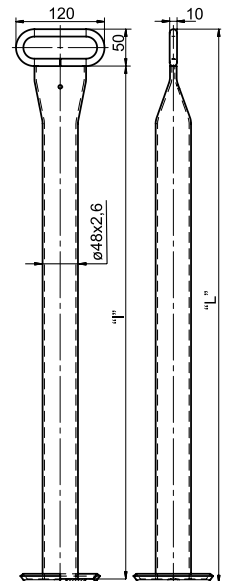
**Mounting bracket**  
Art. number: 6D7986.001

For these prop stands the mounting bracket and the tube must be ordered separately!



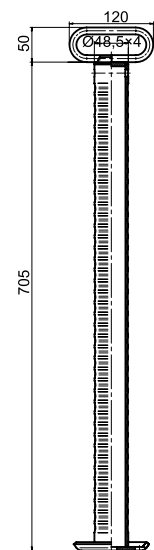
## TL 48

L (mm)	I (mm)	Surface treatment	Art. number
590	535	FeZn12	6D5749.001
590	535	hot-dip galvanized	6D5749.002
710	655	FeZn12	6D5749.003
710	655	hot-dip galvanized	6D5749.004
900	845	FeZn12	6D5749.005
900	845	hot-dip galvanized	6D5749.006
550	495	FeZn12	6D5749.007
550	495	hot-dip galvanized	6D5749.008
650	595	FeZn12	6D5749.009
650	595	hot-dip galvanized	6D5749.010
750	695	FeZn12	6D5749.011
750	695	hot-dip galvanized	6D5749.012
850	795	FeZn12	6D5749.013
850	795	hot-dip galvanized	6D5749.014



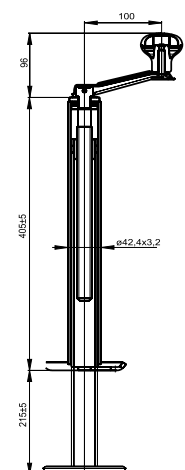
## TL 48 H

Model	Vertical load (max.)	Note	Art. number
TL 48 H	280 kg	locking with clamp	6D6585.001



## TTL 42 Telescopic prop stand

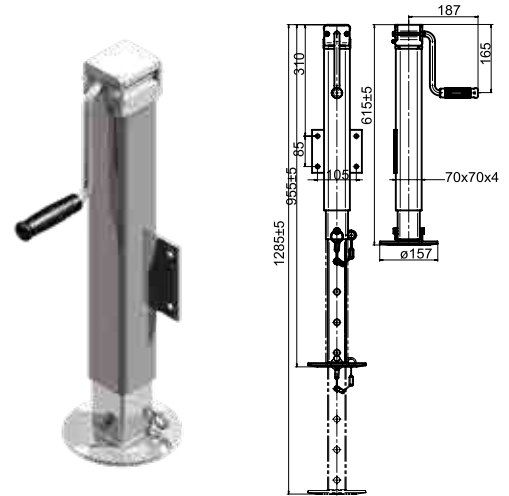
Model	Vertical load (max.)	Note	Art. number
TTL 42	250 kg	locking with clamp	6D5981.001





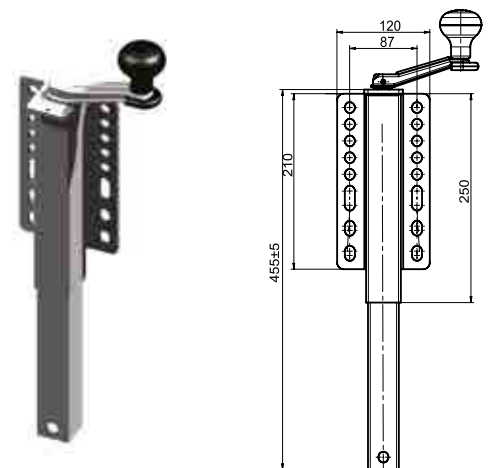
# HEAVY DUTY TELESCOPIC PROP STAND TTLS 70

Model	Vertical load (max.)	Note	Art. number
TTLS 70	1000 kg	fixation with bolt	6D6334.001



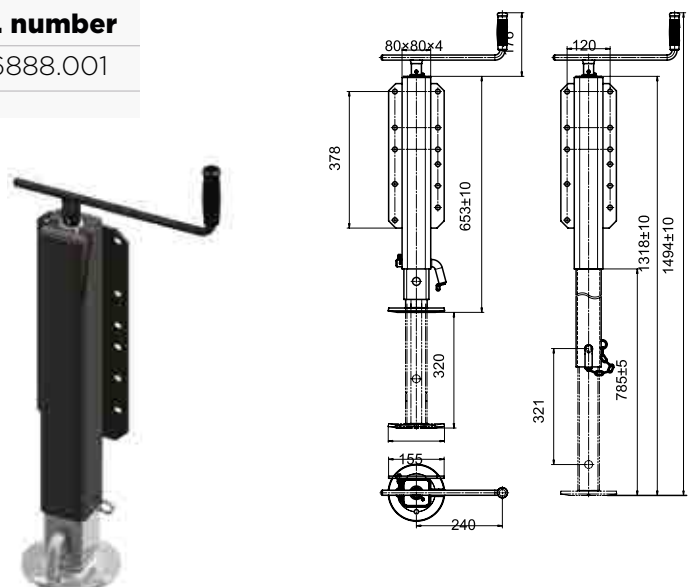
## TTL 205x120

Model	Vertical load (max.)	Note	Art. number
TTL 205x120	1500 kg	fixation with bolt	6D7877.001



## TTL 80

Model	Vertical load (max.)	Note	Art. number
TTL 80	1500 kg	fixation with bolt	6D6888.001

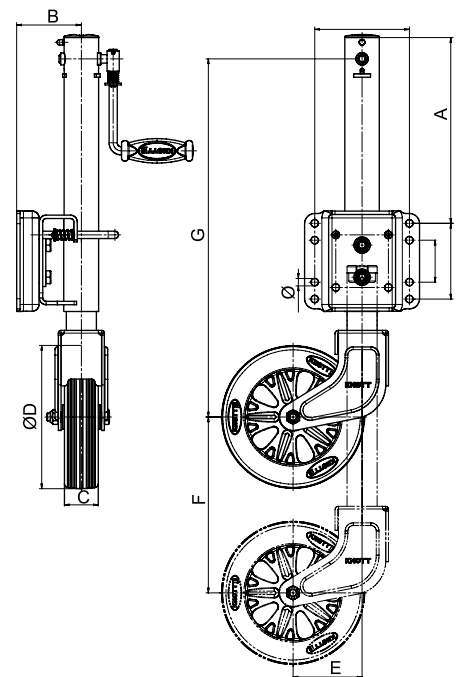




## SWING-AWAY SWIVEL JACK

N°	Model	Load capacity	Lifting height	Handle	Art. number
1	TK 48-150/47M	500 kg	215 mm	sidewind	6D8374.001
2	TK 48-150/47M	500 kg	211 mm	top	6D8224.001
3	TK 51-210/50M	500 kg	254 mm	sidewind	6D9156.001
4	TK 57-210/50M	500 kg	200 mm	sidewind	6D8116.001
5	TK 57-210/50M	500 kg	255 mm	sidewind	6D8168.001
6	TK 57-210/75M	550 kg	300 mm	sidewind	6D7706.001

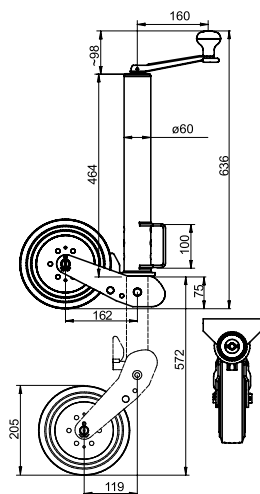
Size (mm)	6D8374	6D8224	6D9156	6D8116	6D8168	6D7706
A	274	166,5	192	200	277,5	322
B	122,5	86	95	91	90	99
C	47	47	50	50	50	75
Ø D	153	153	210	212	212	210
E	52	52	102	102	102	102
F	216	211	254	200	255	300
G	467	447	530	443	506	570





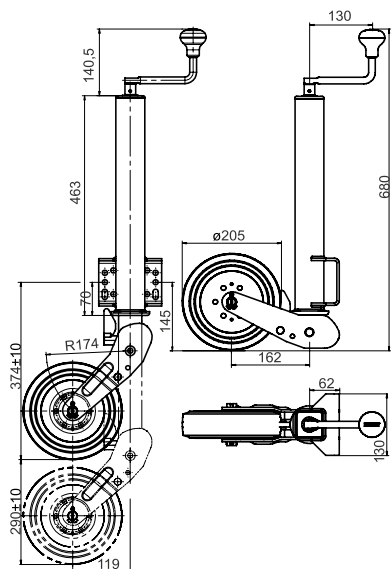
# RETRACTABLE JOCKEY WHEEL FOR TRAILERS AND CARAVANS ATK 60-205/50 AC

Type	Vertical load (max.)	Wheel material	Wheel size	Art. number
ATK 60-205/50 AC	150 kg	solid rubber + sheet metal rim + slide bearing	205x50	6D5093.001



# ATKS 60-205/50 AC

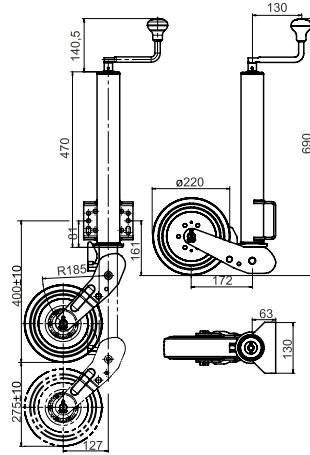
Type	Vertical load (max.)	Wheel material	Wheel size	Art. number
ATKS 60-205/50 AC	150 kg	solid rubber + sheet metal rim + slide bearing	205x50	6D5338.001





## ATK 60-220/70 AC

Type	Vertical load (max.)	Wheel material	Wheel size	Art. number
ATK 60-220/70 AC	150 kg	solid rubber + sheet metal rim + needle bearing	220x70	6D5345.001

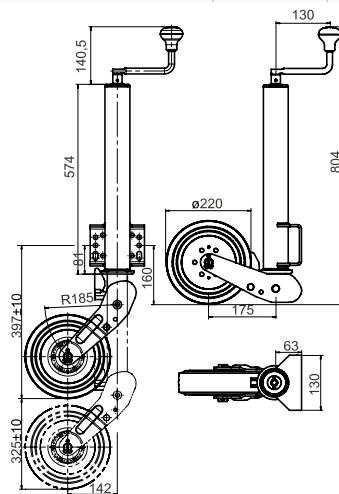


## AUTOMATIC JOCKEY WHEEL WITH SAFETY FUNCTION ATK 60S

Type	Vertical load (max.)	Wheel material	Wheel size	Art. number
ATK 60S-220/70 AC	250 kg	solid rubber + sheet metal rim + needle bearing	220x70	6D8539.001
ATK 60S-210/75 AC	500 kg	solid rubber + sheet metal rim + needle bearing	210x75	6D8499.001
ATK 60S-210/75 M	500 kg	solid rubber + sheet metal rim + needle bearing	210x75	6D7933.001



**NEW SAFETY SOLUTION**



**ATK 60S jockey wheel supports any type of drawbar for mono or tandem trailer with max. of 3500 kg load capacity. Through an innovative design this jockey wheel prevents accidental collapse of the swing arm thus avoiding risk of injury. The swing arm can be folded only in unloaded state.**





# OPERATION- AND MAINTENANCE INSTRUCTIONS ATK60S SAFETY AUTOMATIC - JOCKEY WHEEL

## Connecting the trailer

The jockey wheel must face the rear of the trailer. Lower the drawbar by reeling in the jockey wheel until the ball coupling rests on the vehicle towing ball, until it locks up or is set at hitch height.

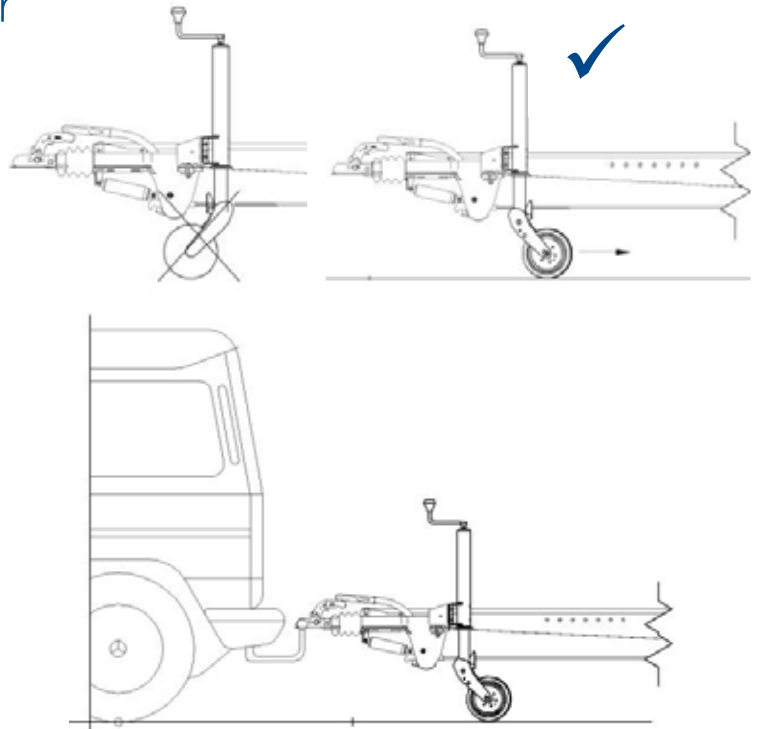
**NOTES:**

The safety automatic jockey wheel ATK 60S can only be wound in completely when it is in an unloaded state, i.e. when in fully coupled condition.

If the folding mechanism is blocked by the incomplete unloading of the drawbar, it must not be cranked down violently.

The wheel must not touch the brake linkage otherwise it could impair the system operation.

- crank up the jockey wheel completely until the wheel locks
- tighten the crank to secure wheel, preventing accidental operation.



## Defining the lifting capacity

Defining the lifting capacity is sufficient before installing the selected jockey wheel.

The lifting capacity must be sufficient for the application.

The required lifting capacity must be calculated as follows:

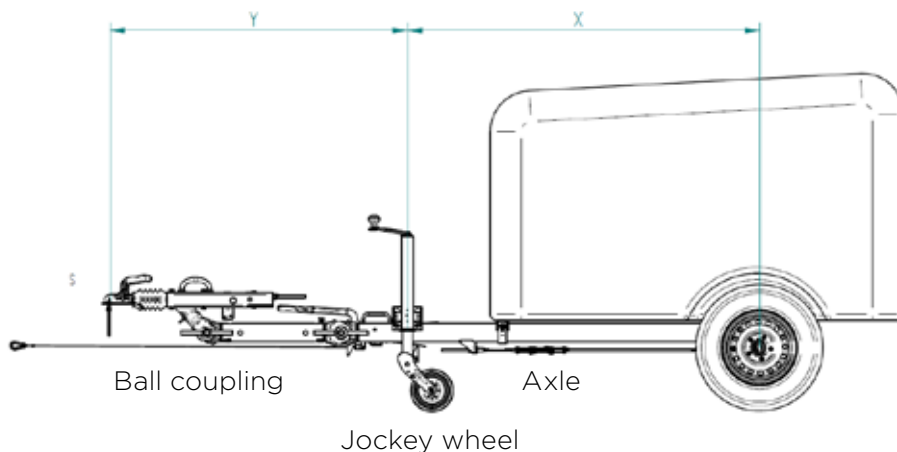
$$\text{Lifting capacity} = \frac{(x + y) \times S}{X}$$

S: load

x: distance jockey wheel - axle

y: distance ball coupling - jockey wheel

S: maximum permitted static load on the coupling point

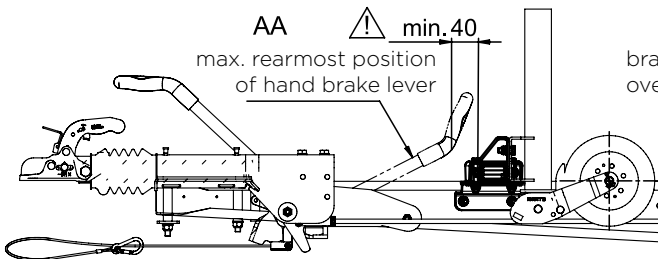
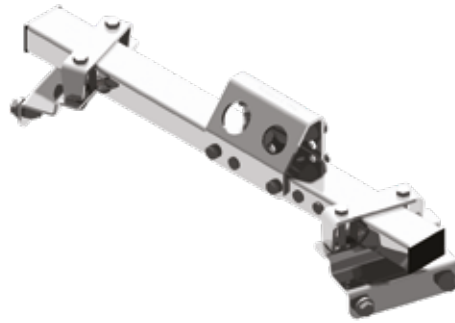




# CROSS MEMBER PACKAGE FOR UNIVERSAL JOCKEY WHEEL DRILLING TEMPLATE

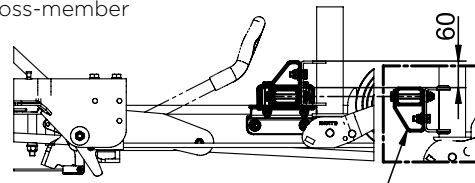
Art. number: 209213.001

Art. number: 208765.001

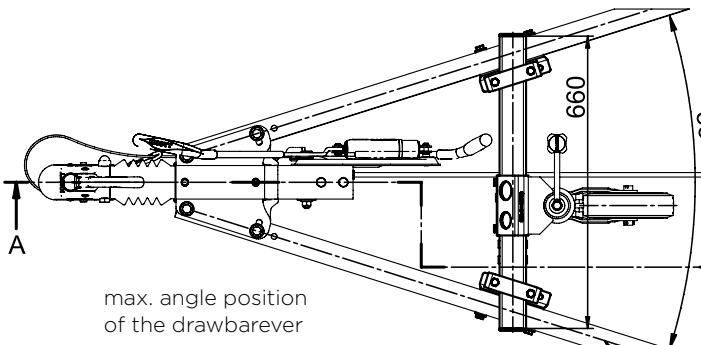


bracket for jockey wheel over the cross-member

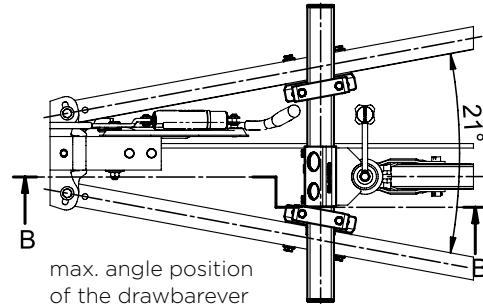
BB



bracket for jockey wheel optionally also possible under the cross-member

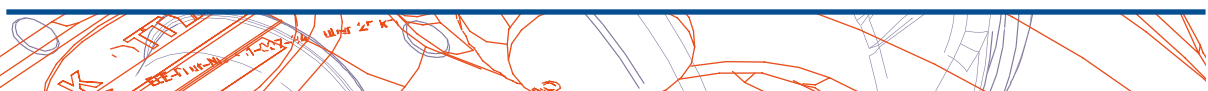


max. angle position of the drawbarever



max. angle position of the drawbarever

for ZHL 15, 20, 27, 35







## TELESCOPIC JOCKEY WHEELS FOR TRAILERS AND CARAVANS

Type	Vertical load (max.)	Wheel material	Wheel size	Art. number
TK 35-200/40 M	75 kg	solid rubber + plastic rim + slide bearing	200x40	6D5757.002
TK 35-200/40 AC	75 kg	solid rubber + sheet metal rim + slide bearing	200x40	6D5758.002
TK 42-200/40 M	100 kg	solid rubber + plastic rim + slide bearing	200x40	6D5802.001
TK 42-200/40 AC	100 kg	solid rubber + sheet metal rim + slide bearing	200x40	6D5800.001
TK 48-220/70 H AC	300 kg	solid rubber + sheet metal rim + needle bearing	220x70	6D5949.002
TK 48-220/70 H/AC	350 kg	solid rubber + sheet metal rim + needle bearing	220x70	6D6146.001

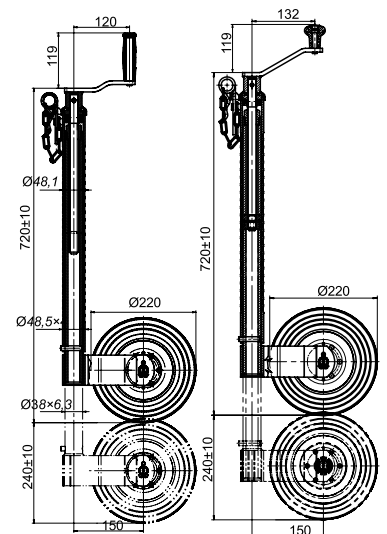
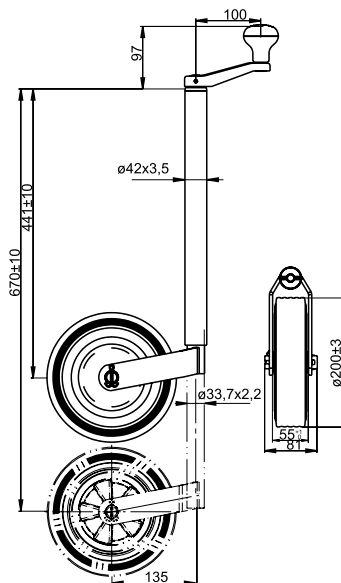
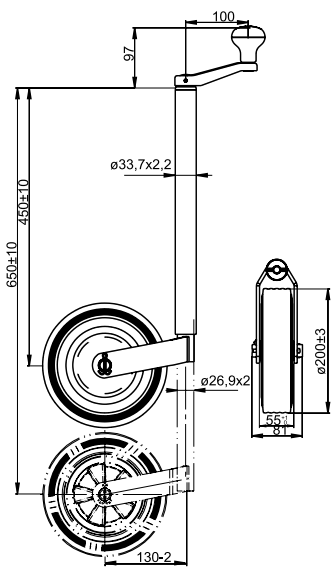
TK 35



TK 42



TK 48





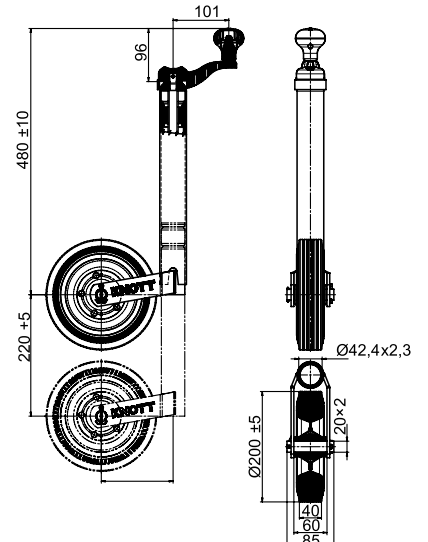
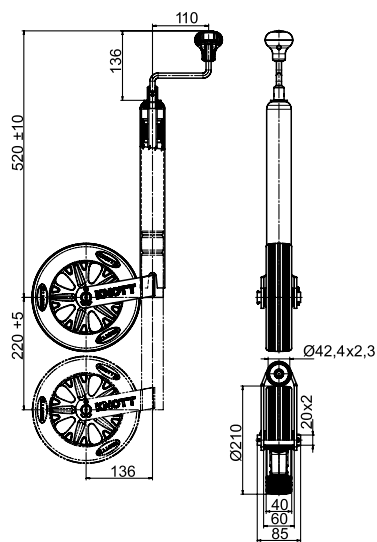
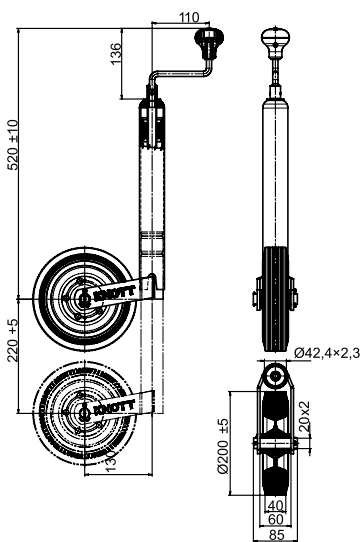
# PROP STAND & JOCKEY WHEEL

Type	Vertical load (max.)	Wheel material	Wheel size	Art. number
TK 48-200/50 AC	150 kg	solid rubber + sheet metal rim + slide bearing	200x50	6D8746.001
TK 48-210/50 M	150 kg	solid rubber + plastic rim + slide bearing	210x50	6D8819.001
TK 48-200/50 AC	150 kg	solid rubber + sheet metal rim + slide bearing	200x50	6D8823.001

## TK 48-200/50 AC

## TK 48-210/50 M

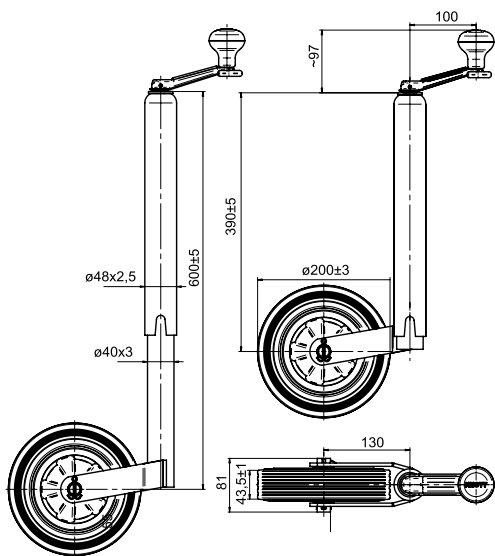
## TK 48-200/50 AC



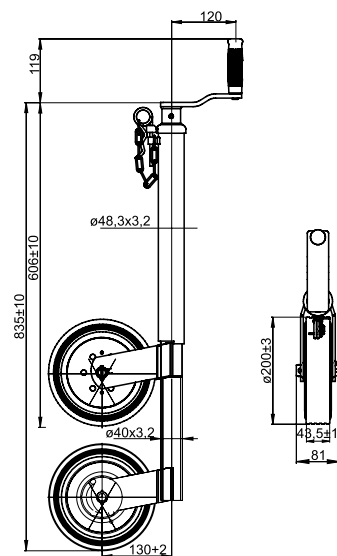


Type	Vertical load (max.)	Wheel material	Wheel size	Art. number
TK 48-200/40 M	125 kg	solid rubber + plastic rim + slide bearing	200x40	6D6307.001
TK 48-200/40 AC	125 kg	solid rubber + sheet metal rim + slide bearing	200x40	6D5807.001
TK 48-200/40 AC	125 kg	solid rubber + sheet metal rim + needle bearing	200x40	6D5915.004

**TK 48-200/40**



**TK 48-200/40 AC**

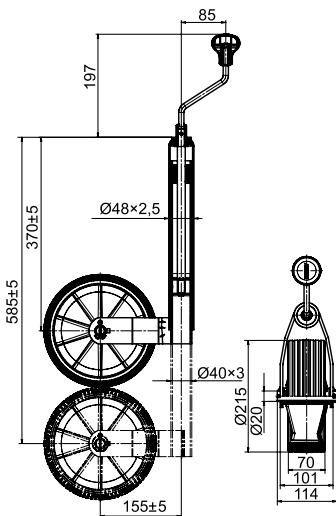




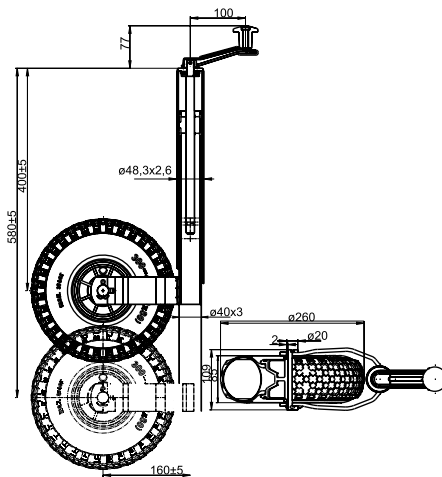
# PROP STAND & JOCKEY WHEEL

Type	Vertical load (max.)	Wheel material	Wheel size	Art. number
TK 48-215/70 M	125 kg	solid rubber + plastic rim + slide bearing	215x70	6D5896.001
TK 48-260/85 M	125 kg	pneumatic wheel + plastic rim + slide bearing	260x85	6D6368.001
TK 48-260/85 AC	125 kg	pneumatic wheel + sheet metal rim + needle bearing	260x85	6D5353.001
TK 48-225/65 AC E-Load	125 kg	solid rubber + sheet metal rim + slide bearing	225x65	424098.001

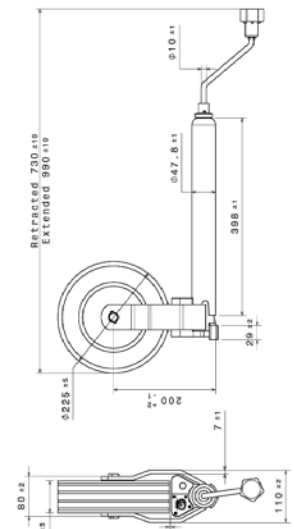
## TK 48-215/70 M



## TK 48-260/85



## TK 48-225/65 AC E-Load



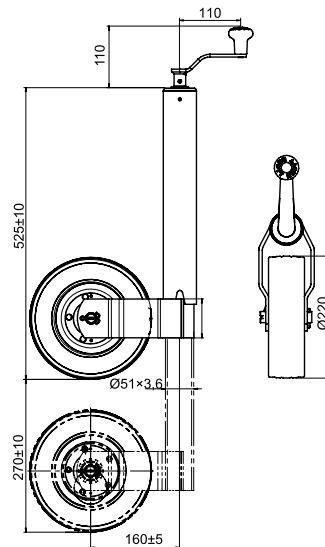
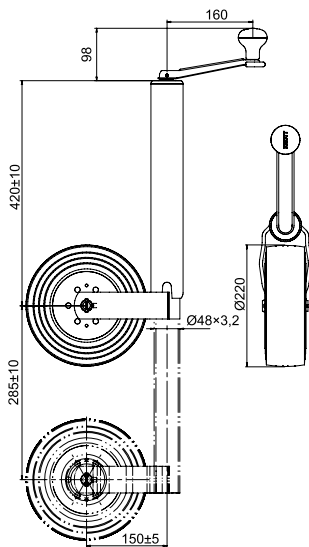


Type	Vertical load (max.)	Wheel material	Wheel size	Art. number
TK 60-220/70 AC	150 kg	solid rubber + sheet metal rim + slide bearing	220x70	6X1094.001
TK 60-220/65 AC	250 kg	solid rubber + sheet metal rim + slide bearing	220x65	6X1699.002

**TK 60-220/70 AC**

**TK 60-220/65 AC**

**TK 60-220/70 AC**

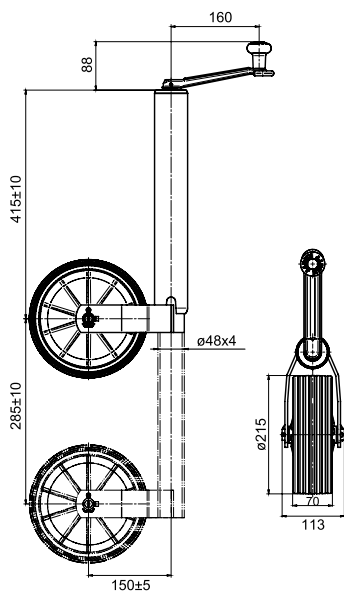




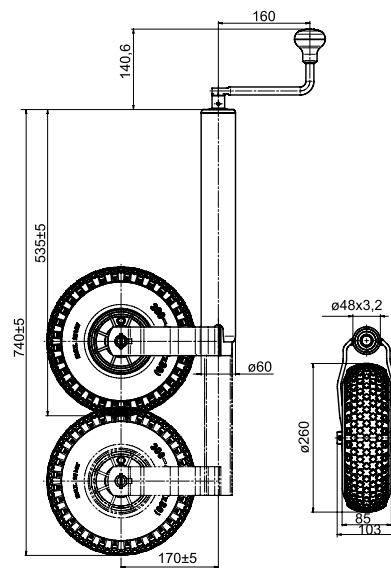
# PROP STAND & JOCKEY WHEEL

Type	Vertical load (max.)	Wheel material	Wheel size	Art. number
TK 60-215/70 M	150 kg	solid rubber + plastic rim + slide bearing	215x70	6D6153.001
TK 60-260/85 M	150 kg	pneumatic wheel + plastic rim + slide bearing	260x85	6D6183.001

## TK 60-215/70 M



## TK 60-260/85 M





Type	Vertical load (max.)	Wheel material	Wheel size	Art. number
TKS 70-220/70 AC	150 kg	solid rubber + sheet metal rim + needle bearing	220x70	6D5406.001
TK 70-280/70 AC	500 kg	solid rubber + sheet metal rim + slide bearing	280x66	6D6528.001

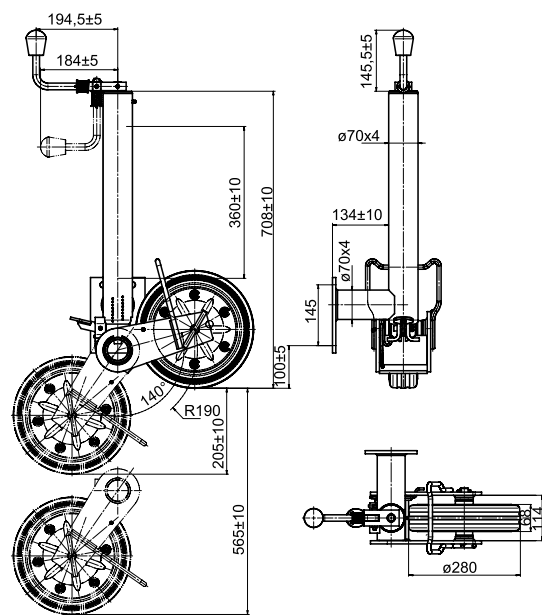
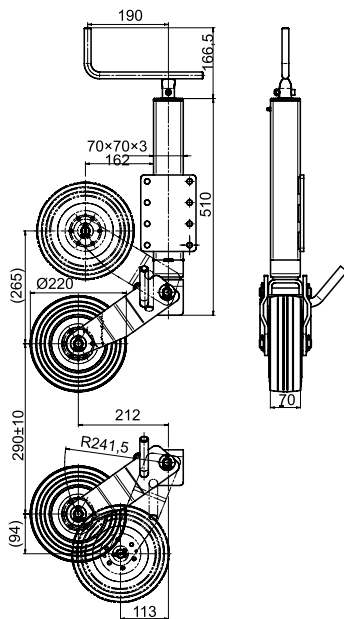
## TKS 70-220/70 AC

## TK 70-280/70 AC

square

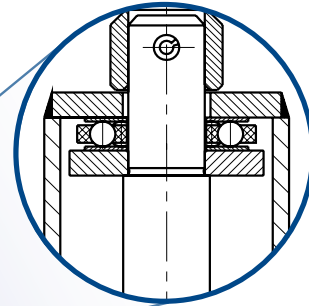


round

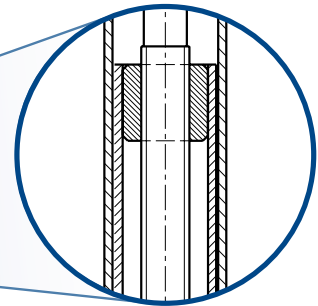




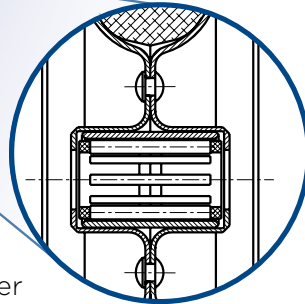
## STANDARD JOCKEY WHEELS WITH GREAT ADVANTAGES



Steel plate driving lever with bearing and pin of  $\varnothing 5$  mm



Pipe liner of  $\varnothing 48$  mm with wall thickness of 3,2 mm



Wheel with needle roller or sliding bearing







## SUPPORT LEG FOR CARAVANS

**The product can be used for:**

- trailers
- caravans
- horse trailers

**Material:**

- steel

**Surface treatment:**

- hot-dip galvanization

**Advantages of the product:**

- stabilizes the trailer
- disencumbers the axle
- supports the trailer
- big ranch of usability
- 60° slue out
- universal crank

## Support plates for WHF

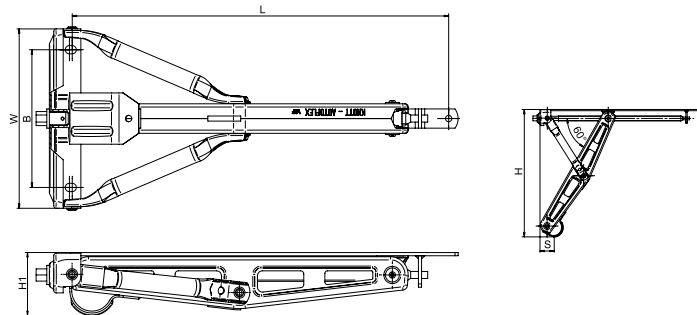
Art. number: 423344.001



For information about the hole pattern please ask our sales personnel.

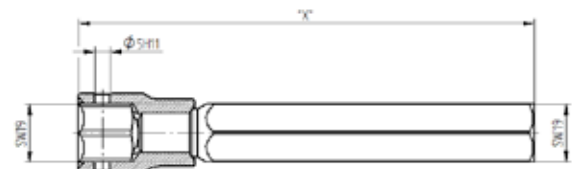
## WHF

Type	Vertical load (max.)	L (mm)	W (mm)	B (mm)	H1 (mm)	H (mm)	S (mm)	Art. number
WHF 001	900 kg	568	280	215		457	115	6X1197.001
WHF 002	1100 kg	568	280	215	97	497	53	6X1197.002
WHF 003	1100 kg	597	280	215	97	497	57	6X1197.003
WHF 004	1100 kg	595,5	280	215	117	517	57	6X1197.004
WHF 005	1100 kg	568	280	215	97	497	56	6X1197.005
WHF 006	1100 kg	597	280	215	98	497	57	6X1197.006
WHF 007	1100 kg	561,5	280	215	100	498	50	6X1197.007
WHF 008	1100 kg	602	280	215	100	498	50	6X1197.008



## WHF + EXTENDER

Type	Vertical load (max.)	X (mm)	Art. number
WHF 007 + 6D9201 extender	1100 kg	150	6D9203.001
WHF 007 + 6D9201 extender	1100 kg	230	6D9204.001
WHF 007 + 6D9201 extender	1100 kg	270	6D9205.001
WHF 007 + 6D9201 extender	1100 kg	340	6D9206.001





# MUDGUARD

[www.autoflex.hu](http://www.autoflex.hu)





## MUDGUARD

### Mounting position of mudguard and wheel



This is the correct mounting position of the wheel and mudguard when the trailer is not loaded. This should provide a clearance of 110 - 120 mms.



Under 1x or 2x load this clearance will change, but still ensures enough space for the wheel.



1x load

2x load

**Please note that you gain a longer lifespan for your trailer, if you don't overload it!**

### Steel mudguard

- Materials:
  - stainless steel
  - sensimir - galvanized steel
- **Weatherproof construction!**
- Profile for sidewall mounting: 12/40
- Radius: 12



### Plastic mudguard

- Materials:
  - high quality plastic
- Profile for sidewall mounting: 6/25; 12/37,5; 12/40



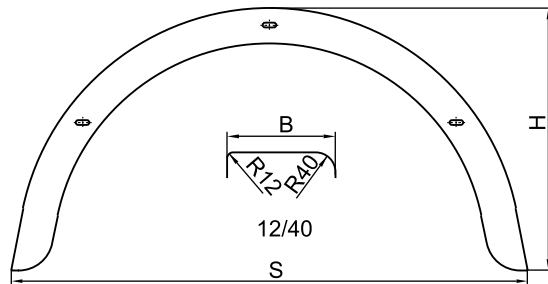


# TRAILER MUDGUARDS

## Single axle

Type	Length S (mm)	Height H (mm)	Width B (mm)	Profile	Mounting holes (pcs)	Wheel size max.	Art. number
A206612K	660	345	200	12/40		165/80R13	6X0573.001
A206612K(F)	660	345	200	12/40	7	165/80R13	6X0573.014
A207012K	700	390	200	12/40		165/80R14	6X0573.002
A207512K	750	415	200	12/40		165/80R16	6X0573.003
A207512K(F)	750	415	200	12/40	5	165/80R16	6X0573.013
A227512K	750	390	220	12/40		185/80R15	6X0573.004
A227512K(F)	750	390	220	12/40	5	185/80R15	6X0573.018
A228012K	800	415	220	12/40		185/80R17	6X0573.005
A228612K	860	445	220	12/40		185/80R19	6X0573.006
A247512K	750	390	240	12/40		205/80R14	6X0573.007
A247512K(F)	750	390	240	12/40	5	205/80R14	6X0573.017
A248012K	800	415	240	12/40		205/80R16	6X0573.008
A248012K(F)	800	415	240	12/40	3+4 oval	205/80R16	6X0573.015
A248612K	860	445	240	12/40		205/80R18	6X0573.009
A248040K	800	415	240	40/40		205/80R16	6X0573.010
A268012K	800	445	260	12/40		225/80R14	6X0573.011
A268012K(F)	800	445	260	12/40	7	225/80R14	6X0573.016
A268040K	800	415	260	40/40		225/80R14	6X0573.012

- Mudguards with a profile of 12/40 and 40/40
- Radius 12 is for sidewall-mounting on a trailer
- Radius 40/40 is for mounting on the supports of trailers, like boat trailers
- Material: galvanized steel

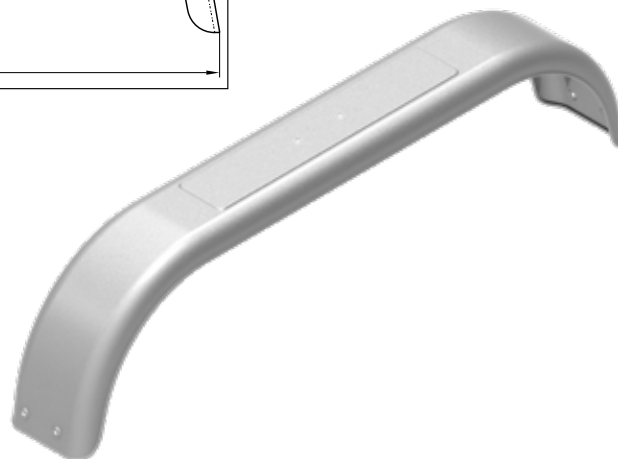
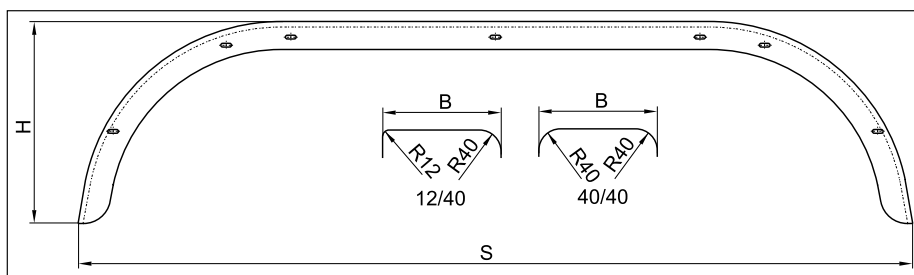




## Tandem axle

Type	Length S (mm)	Height H (mm)	Width B (mm)	Profile	Mounting holes (pcs)	Wheel size max.	Art. number
A2213912KT	1390	375	220	12/40		185/80R12	6X0570.005
A2213912KT(F)	1400	350	220	12/40	5 oval	185/80R12	6X0570.014
A2215512KT	1550	375	220	12/40		185/80R15	6X0570.006
A2215512KT(F)	1550	375	220	12/40	7 oval	185/80R15	6X0570.018
A2215540KT	1550	375	220	40/40		185/80R15	6X0570.002
A2415012KT	1500	410	240	12/40		205/80R13	6X0570.007
A2415012KT(F)	1500	410	240	12/40	7 oval	205/80R13	6X0570.017
A2415040KT	1500	410	240	40/40		205/80R13	6X0570.003
A2615012KT	1500	410	260	12/40		225/80R12	6X0570.008
A2615012KT(F)	1500	400	260	12/40	7 oval	225/80R12	6X0570.016
A2615040KT	1500	410	260	40/40		225/80R12	6X0570.004
A2014812KT	1480	365	200	12/40		165/80R15	6X0570.010
A2415112KT	1510	390	240	12/40		205/80R13	6X0570.011

- **Mudguards with a profile of 12/40 and 40/40**
- **Radius 12 is for sidewall-mounting on a trailer**
- **Radius 40/40 is for mounting on the supports of trailers, like boat trailers**
- **Material: galvanized steel**

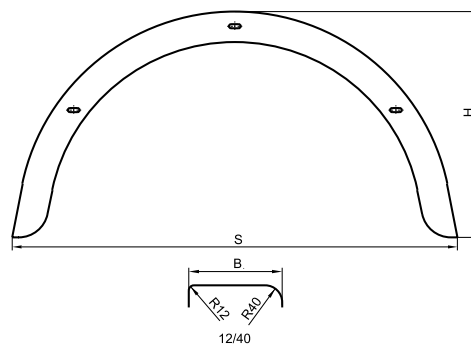




## Single axle stainless steel mudguard

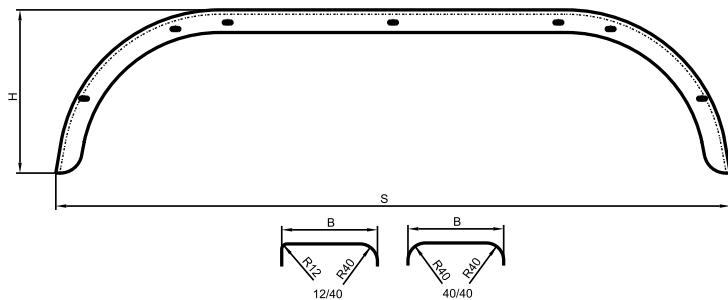
Type	Length S (mm)	Height H (mm)	Width B (mm)	Profile	Mounting holes (pcs)	Wheel size max.	Art. number
13"	660	345	200	12/40		165/80R13	6X1485.001
14"	750	390	240	12/40	3 oval	205/80R14	6X1485.002
A268040K	800	415	260	40/40		205/80R16	6X1485.003
10"	620	300	160	12/40		125/80R14	6X1485.004
12"	660	340	190	12/40		155/80R13	6X1485.005
13"	735	370	220	12/40		185/80R14	6X1485.006
14"	800	415	245	40/40		205/80R16	6X1485.007

- Mudguards with a profile of 12/40
- Radius 12 is for sidewall-mounting on a trailer
- Radius 40/40 is for mounting on the supports of trailers, like boat trailers
- Material: stainless steel



## Double axle stainless steel mudguard

Type	Length S (mm)	Height H (mm)	Width B (mm)	Profile	Mounting holes (pcs)	Wheel size max.	Art. number
14"	1500	410	240	12/40	7 oval	205/80R13	6X1486.001
14"	1500	410	240	12/40		205/80R13	6X1486.002



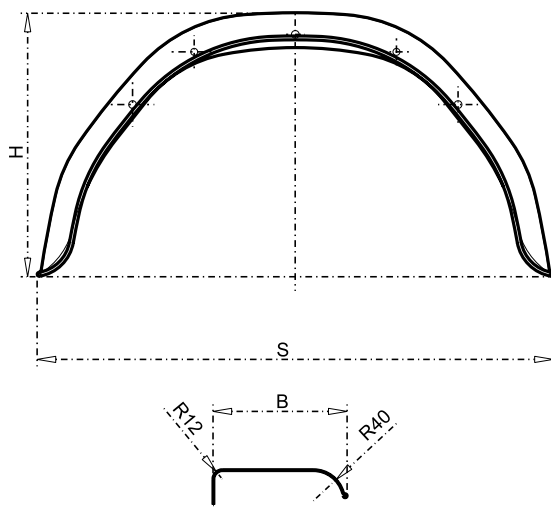
- Double axle mudguards with a profile of 12/40 and 40/40
- Radius 12 is for sidewall-mounting on a trailer
- Radius 40/40 is for mounting on the supports of trailers, like boat trailers
- Material: stainless steel





## Single axle trailer mudguards (angular)

Type	Length S (mm)	Height H (mm)	Width B (mm)	Material	Mounting holes (pcs)	Wheel size max.	Art. number
A176712S	670	340	170	galvanized steel		135/80R15	6X1031.001
A176712S(F)	670	340	170	galvanized steel	5	135/80R15	6X1031.012
A207612S	760	390	200	galvanized steel		165/80R17	6X1031.002
A207612S(F)	760	360	200	galvanized steel	7	165/80R17	6X1031.013
A207612S(F)	760	350	200	galvanized steel	11	165/80R17	6X1031.007
A227612S	760	390	220	galvanized steel		185/80R15	6X1031.003
A227512S	750	390	220	galvanized steel		185/80R15	6X1031.004
A247512S	750	390	240	galvanized steel		205/80R14	6X1031.005
A155512S(F)	550	245	150	galvanized steel	5	120/80R11	6X1031.009
ET-70343-A Knott INOX	680	350	200	stainless steel		255/80R12	6X1486.006
A227512S INOX	750	390	220	stainless steel		185/80R15	6X1486.007
A176712S INOX	670	340	170	stainless steel		135/80R15	6X1486.009



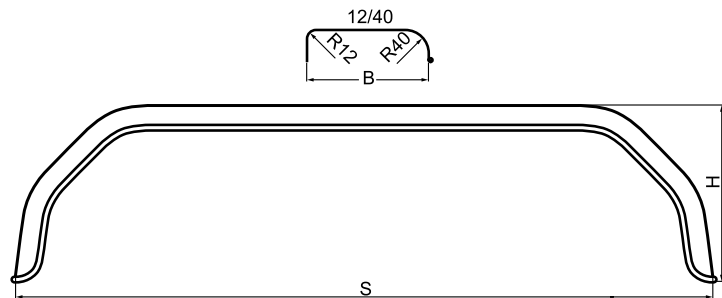
- Angular mudguards with a profile of 12/40
- Radius 12 is for sidewall-mounting on a trailer

We can produce our mudguards in any (RAL) colour according to customer requests. Please request the colour of the mudguard when placing your order.



## Double axle trailer mudguards (angular)

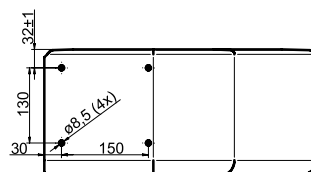
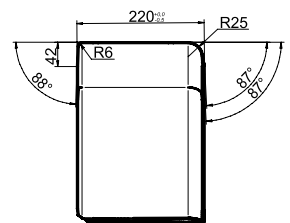
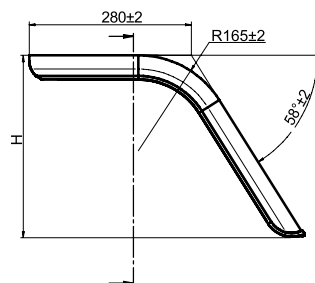
Type	Length S (mm)	Height H (mm)	Width B (mm)	Material	Mounting holes (pcs)	Wheel size max.	Art. number
A2315112ST	1510	380	230	galvanized steel		195/80R14	6X0570.012
A2315112ST(F)	1520	400	230	galvanized steel	9 oval	195/80R14	6X0570.015
A2315112ST INOX	1510	380	230	stainless steel		195/80R14	6X1486.008



- Tandem mudguards with a profile of 12/40
- Radius 12 is for sidewall-mounting on a trailer

## Trailer mudguards (half)

Type	Length S (mm)	Height H (mm)	Width B (mm)	Material	Mounting holes (pcs)	Wheel size max.	Art. number
5227 Je & Bh	632	~314	220	galvanized steel	4	185/80R15	6A5227.001
5228 Jh & Be	632	~314	220	galvanized steel	4	185/80R15	6A5228.001
5229 Jh & Be	712	~382	240	galvanized steel	4	205/80R14	6A5229.001
5230 Je & Bh	712	~382	240	galvanized steel	4	205/80R14	6A5230.001



- Trailer mudguards with a profile of 6/25
- Radius 12 is for sidewall-mounting on a trailer
- These mudguards have to be mounted on the bottom plate of the trailer







## Plastic mudguard with mudflap

Type	Length S (mm)	Height H (mm)	Width B (mm)	Side	Art. number	Mudflap
6A6092.002	678	336	180	right	6X1792.001	6X1790
6A6092.002	678	336	180	left	6X1792.002	6X1790
6x0744.003	660	320	200	right	6X1792.003	6X1790
6x0744.003	660	320	200	left	6X1792.004	6X1790
6x0744.004	760	320	220	right	6X1792.005	6X1790
6x0744.004	760	320	220	left	6X1792.006	6X1790
6x1506.002	1550	400	240	right	6X1792.007	6X1790
6x1506.002	1550	400	240	left	6X1792.008	6X1790





## Plastic mudguard with mudflap

Type	Side	Holes	Mudflap
6BG770R003*	right		6BH020.006
6BG770L003*	left		6BH020.005
6BG770R002	right		6BH020.004
6BG770L002	left		6BH020.003
6BG770R001	right		6BH020.002
6BG770L001	left		6BH020.001
6BH395R003*	right	7xD10+2xD8	6BH020.006
6BH395L003*	left	7xD10+2xD8	6BH020.005
6BH395R002	right	7xD10+2xD8	6BH020.004
6BH395L002	left	7xD10+2xD8	6BH020.003
6BH395R001	right	7xD10+2xD8	6BH020.002
6BH395L001	left	7xD10+2xD8	6BH020.001

\* With logo option.



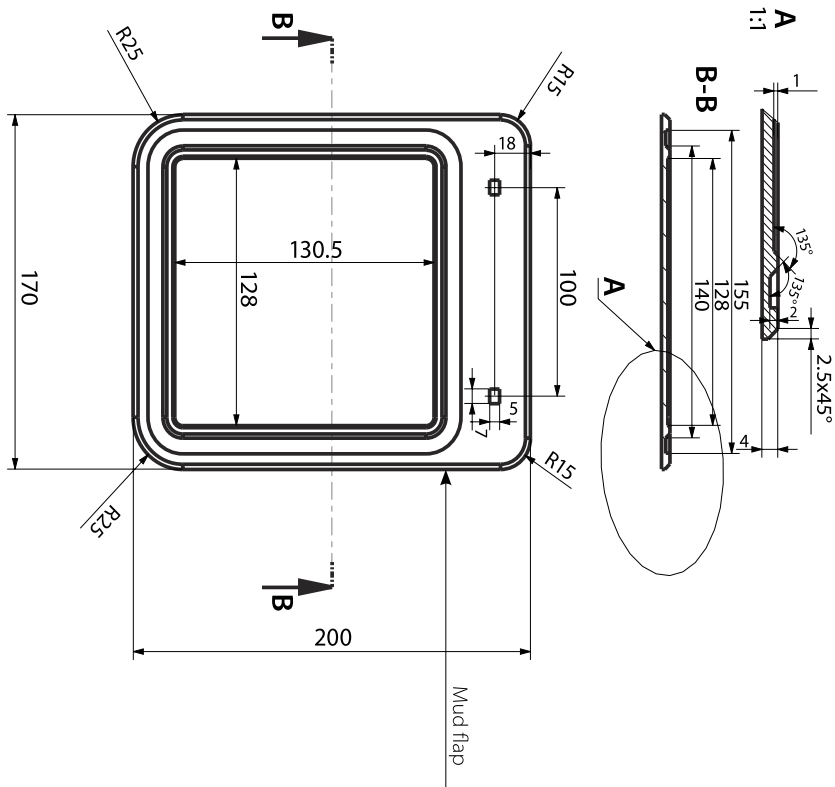
- Provided with mortise
- Reinforced construction
- Colors: black, gray, ruby red, orange, silver, red, blue





# Mudflap

Right and left  
Black or gray  
Art number: **6BH020**





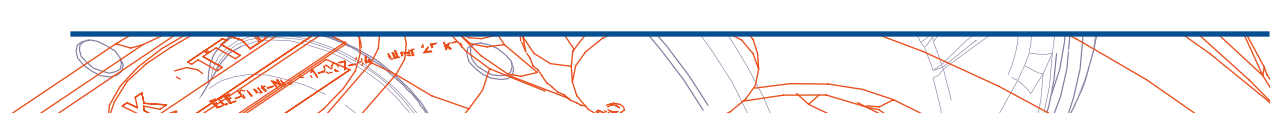
## Plastic mudguard

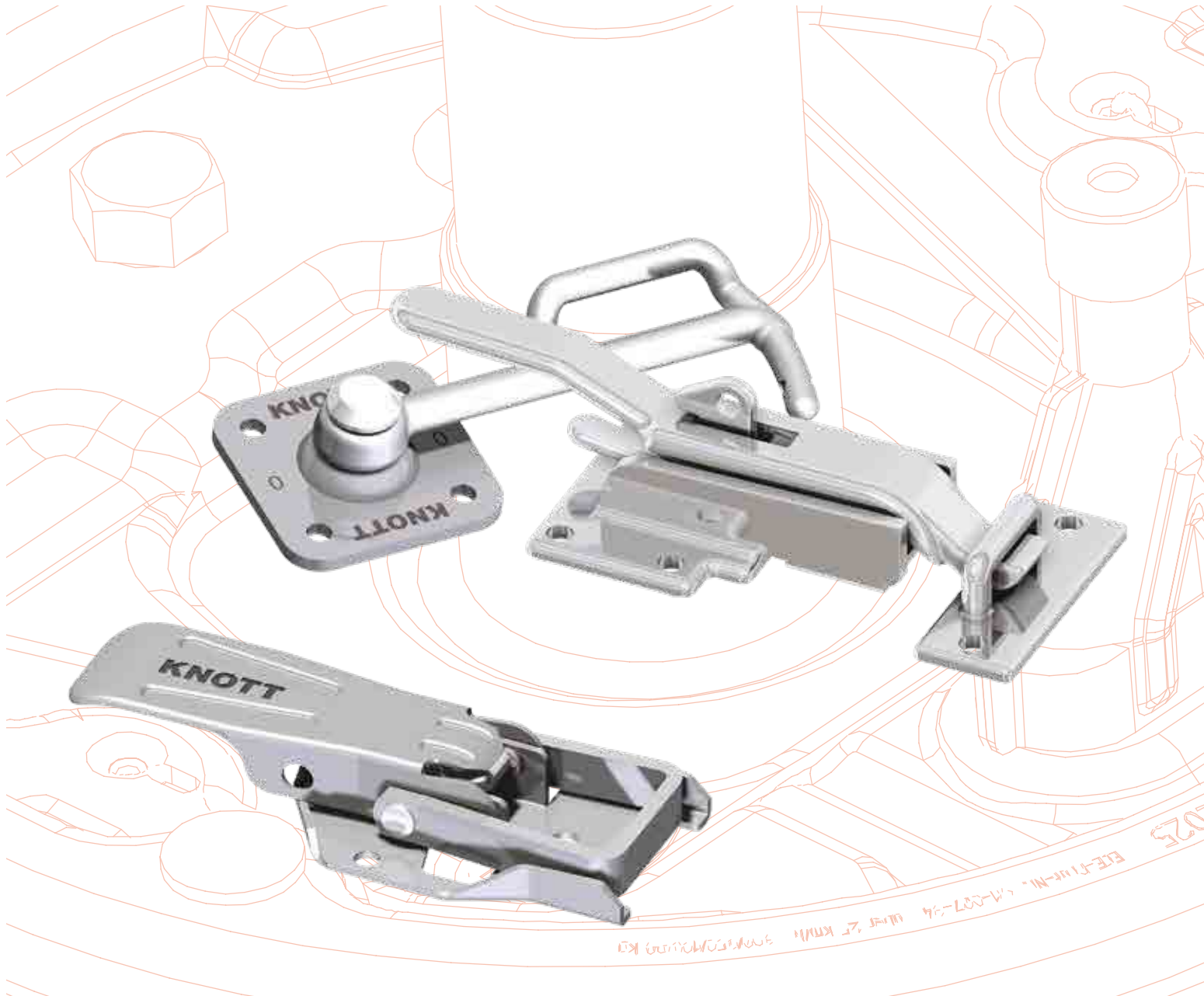
Type	Length S (mm)	Height H (mm)	Width B (mm)	Profile	Colour	Art. number
A186812SM	678	336	180	12/40	grey RAL7040	6A6092.001
A186812SM	678	336	180	12/40	black	6A6092.002
13"	660	327	200	10/30	black	6X0744.003
14"	760	327	220	10/30	black	6X0744.004
Tandem	1550	400	240	10/30	black	6X1506.002
8"-12"	525	150	30/30	grey	6A6594.101	
8"-12"	525	150	175	30/30	white	6A6594.201



## 3-steps plastic mudguard

Type	Length (mm)	Height (mm)	Width (mm)	Colour	Art. number
13"	945	305	235	grey	6X1669.007
14"	1080	330	245	grey	6X1669.008
14"	1080	330	245	black	6X1669.011
13"	945	305	235	black	6X1669.010





# VEHICLE FASTENERS, ACCESSORIES

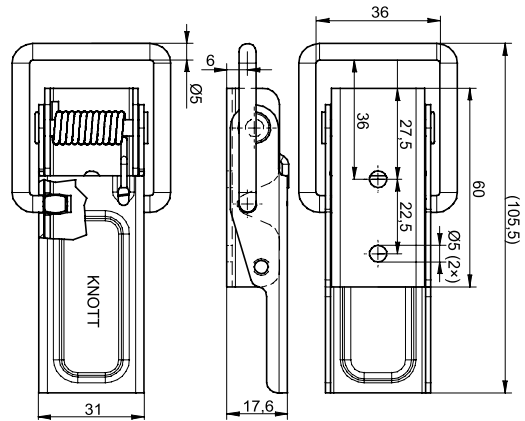
[www.autoflex.hu](http://www.autoflex.hu)





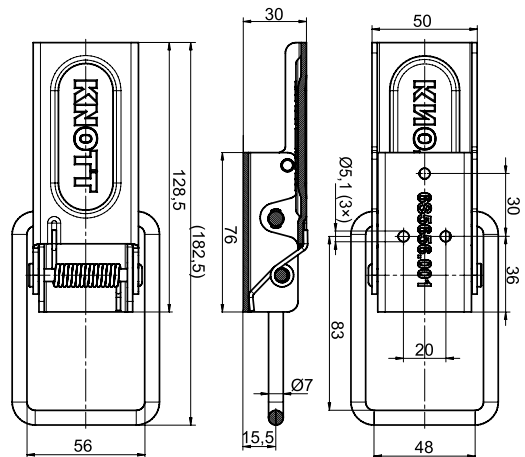
# OVERCENTRE LATCH RB 34

With spring and round bracket  
Zinc plated  
Art. number: **6S5719.001**



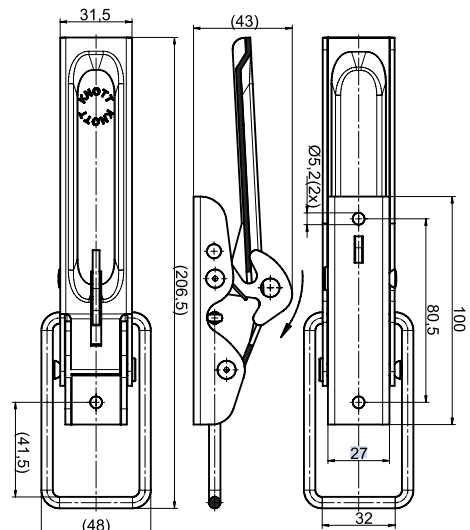
# RB 48

With spring and round bracket  
Zinc plated  
Art. number: **6S5656.001**



# SRB 32

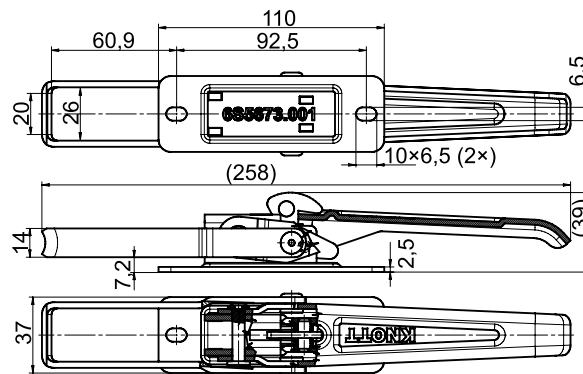
Lockable  
With round bracket  
Stainless steel  
Art. number: **6S5789.001**





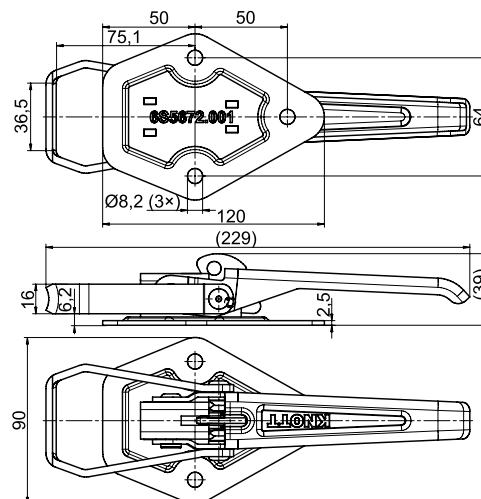
## SVB 20

With flat bracket  
 Lockable  
 Zinc plated  
 Art. number: **6S5673.001**



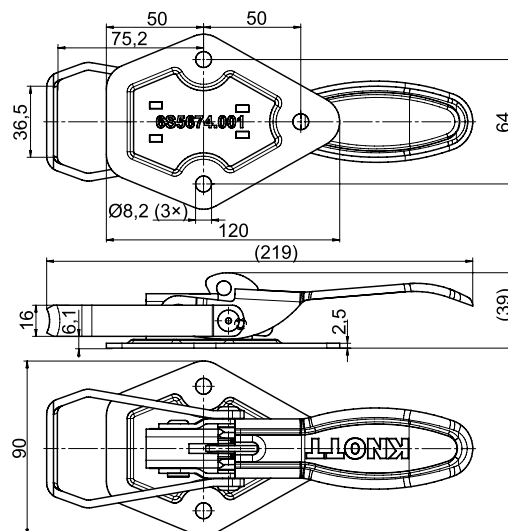
## SVBA 36

With flat bracket  
 Lockable  
 Zinc plated  
 Art. number: **6S5672.001**



## SVBB 36

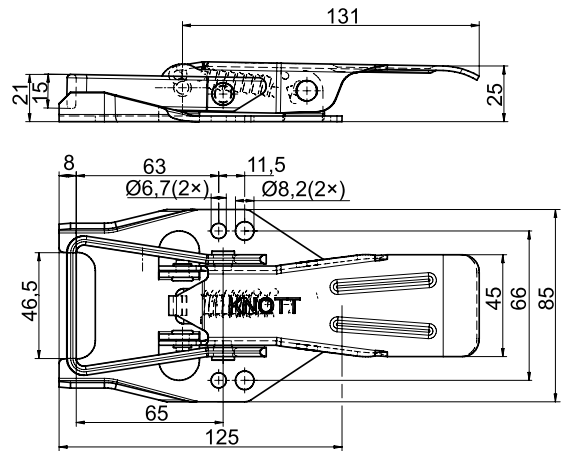
With flat bracket  
 Lockable  
 Zinc plated  
 Art. number: **6S5674.001**





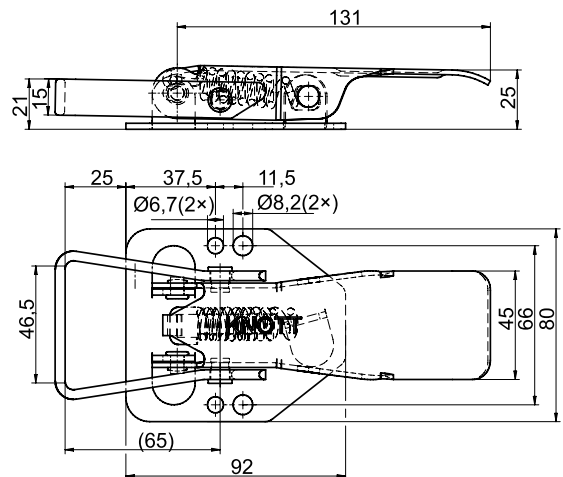
## FVBA 46

With spring and flat bracket  
Zinc plated  
Art. number: **6S5779.001**



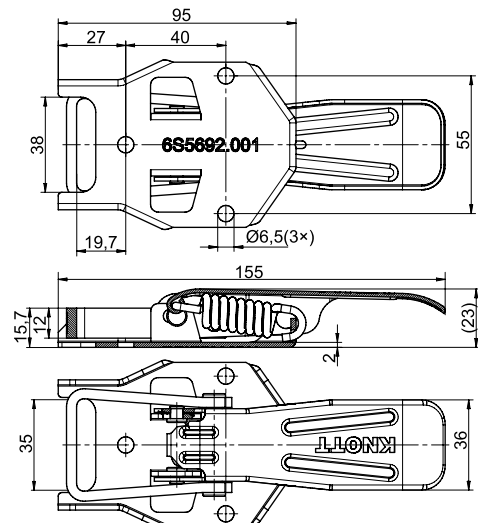
## FVBB 46

With spring and flat bracket  
Zinc plated  
Art. number: **6S5778.001**



## FVB 35

With spring and flat bracket  
Zinc plated  
Art. number: **6S5692.001**

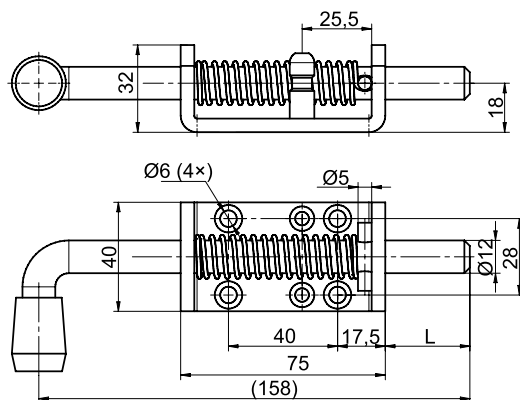






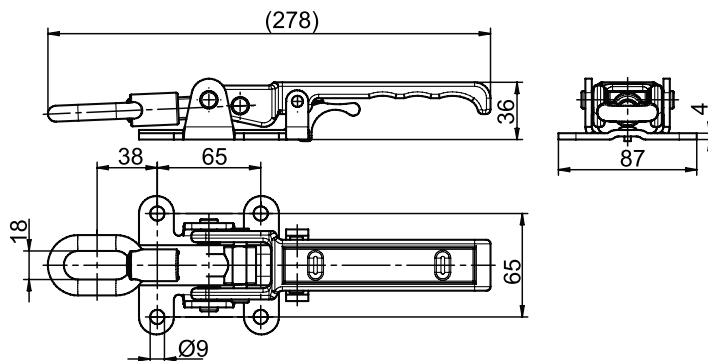
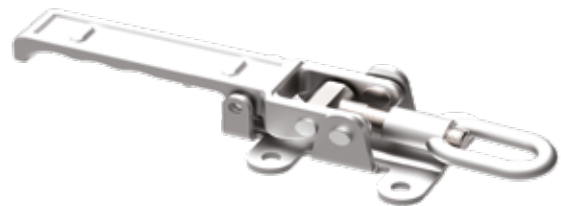
## LATCH, HOOK Spring latch

L= 31 mm  
With plastic handle  
Zinc plated  
Art. number: **6S5716.001**



## FVS 15 - Adjustable overcentre latch

With spring  
Zinc plated  
Art. number: **6S6288.001**

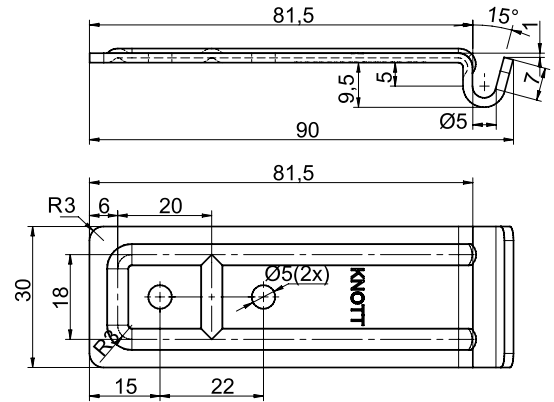




# CATCH PLATE

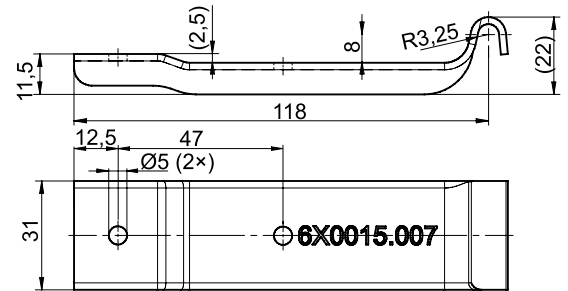
## A 30

Zinc plated stainless steel  
Art. number: **6S5756.001**



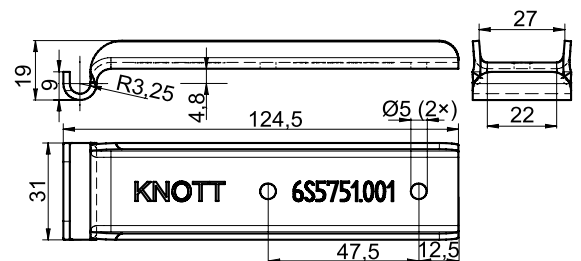
## B 30

Cranked  
Zinc plated  
Art. number: **6X0015.007**



## C 30

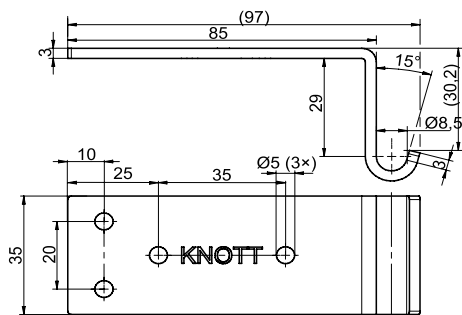
Straight  
Zinc plated  
Art. number: **6S5751.001**





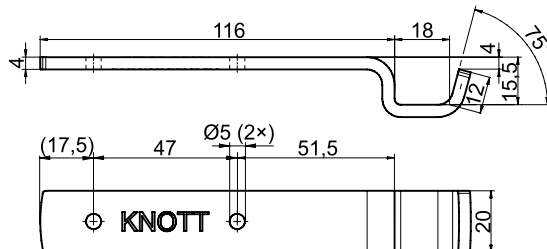
## C 35

Right angle  
Zinc plated  
Art. number: **6S5754.001**



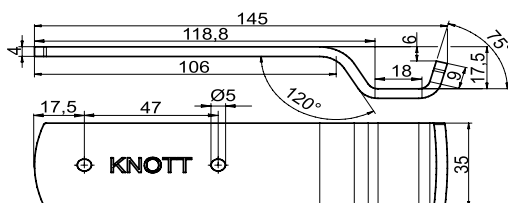
## B 20

Zinc plated  
Art. number: **6S5753.001**



## B 35

Zinc plated  
Art. number: **6S5757.001**

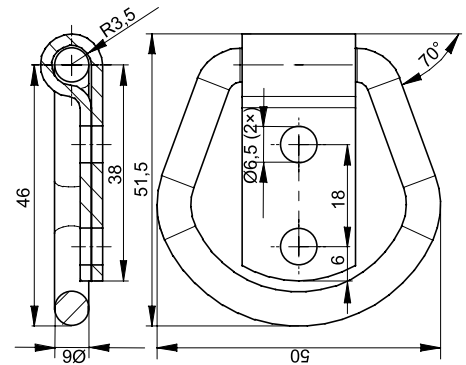




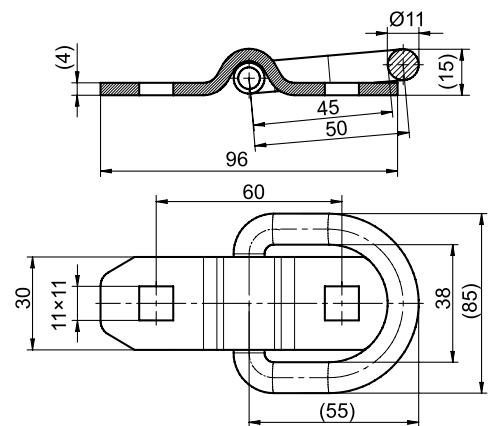
## LASHING RINGS

### Lashing ring + cleat

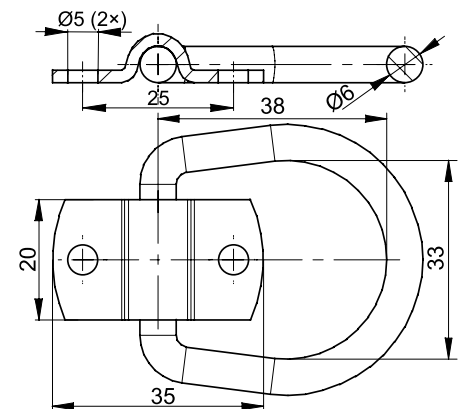
Triangular ring  
Zinc plated  
250 daN  
Art. number: **6S5707.001**



D-ring  
Zinc plated  
250 daN  
Art. number: **6S5780.001**

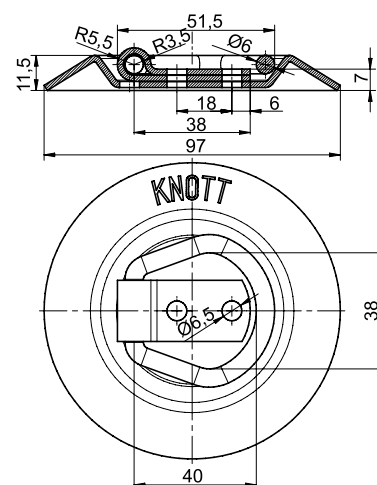


D-ring  
Zinc plated  
250 daN  
Art. number: **6S5702.001**



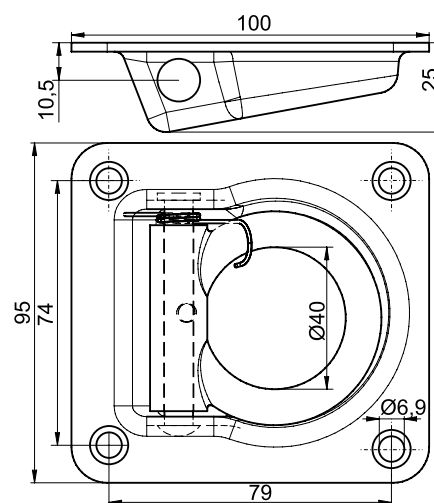


Triangular ring, round base  
Stainless steel  
250 daN  
Art. number: **6S5741.001**

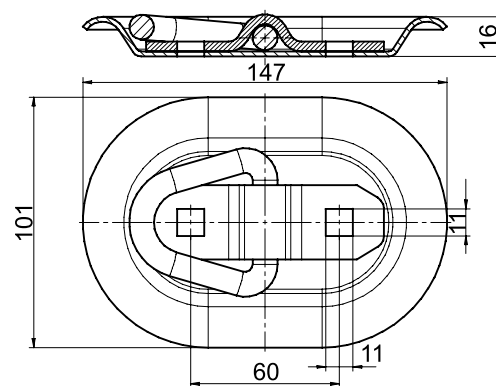


## Recessed lashing ring

Sprung eye  
Rectangular base  
Zinc plated  
250 daN  
Art. number: **6S5727.001**



Oval  
Zinc plated  
250 daN  
Art. number: **6S5726.001**





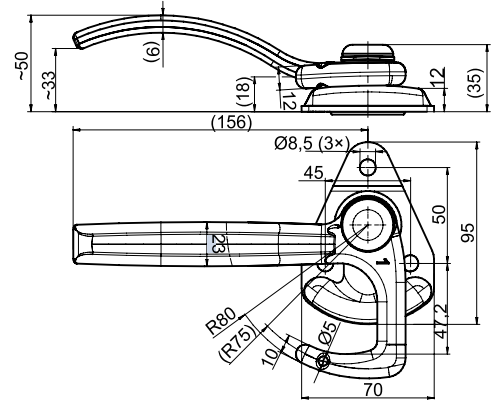
# LOCKING DEVICES

## WVH Angle lever lock

Zinc plated

Art. number: **6S5762.001** - left

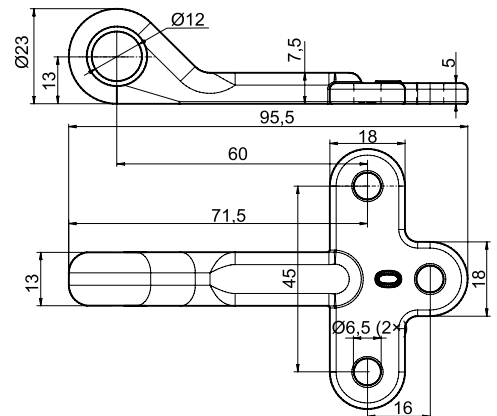
Art. number: **6S5756.002** - right



## EO Eyelet

Zinc plated

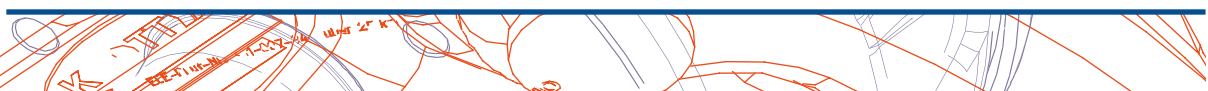
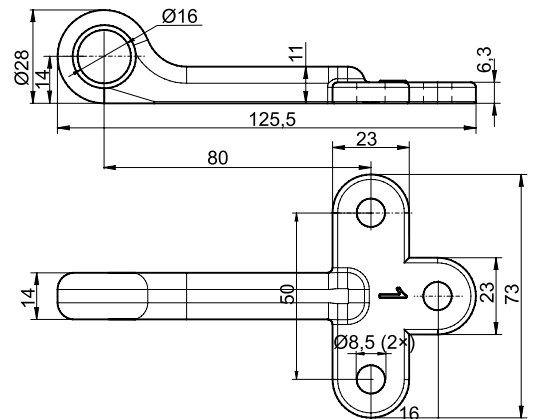
Art. number: **6S5767.001**



## E1 Eyelet

Zinc plated

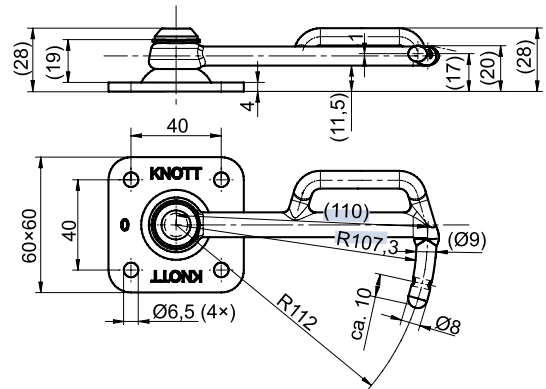
Art. number: **6S5758.001**





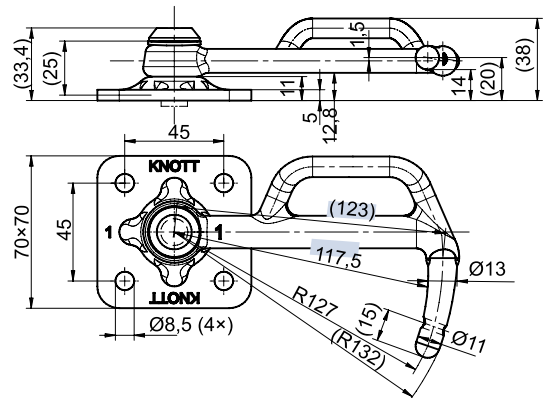
## BOW LOCK BVO

Base plate: 60x60 mm  
Zinc plated  
Art. number: **6S5770.001** - left  
Art. number: **6S5770.002** - right



## BV1

Base plate: 70x70 mm  
Zinc plated  
Art. number: **6S5766.001** - left  
Art. number: **6S5766.002** - right

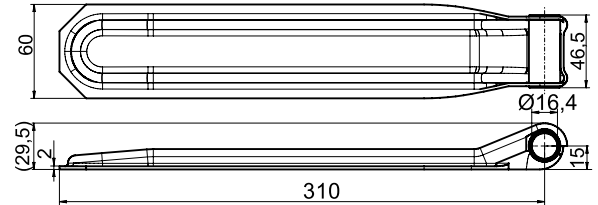




## HINGE

### Hinge 310

For  $\varnothing 16$  mm pin  
Zinc plated  
Art. number: **6S5738.001**



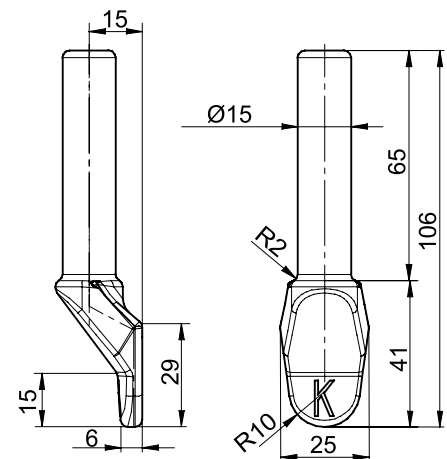
### Hinge 260

For  $\varnothing 16$  mm pin  
Zinc plated  
Art. number: **6S5738.002**



### Hinge pin

$\varnothing 16$  mm  
Natural forged steel  
Weld on  
Art. number: **6S5739.001**

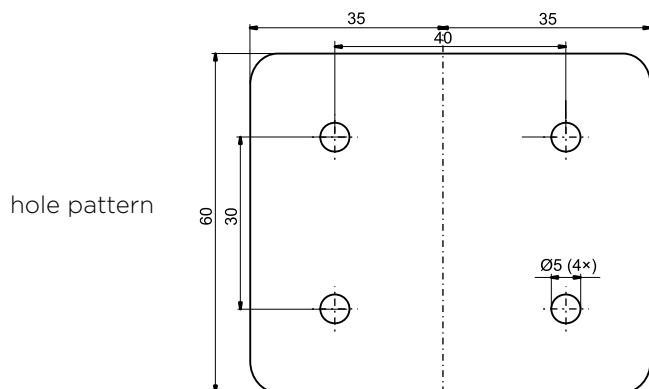






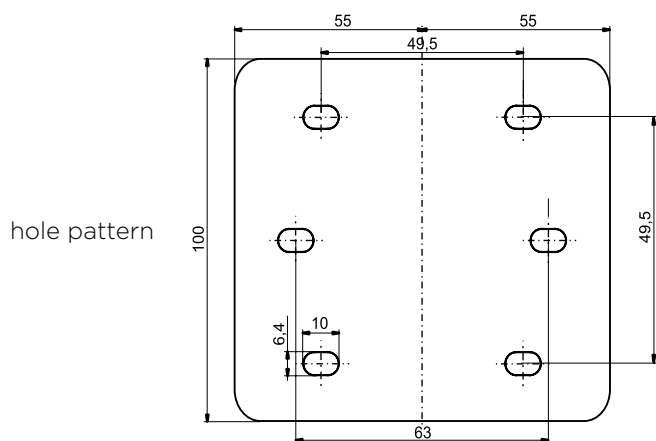
## Hinge L=60 mm

For premium trailer bodies  
Corrosion resistant  
Spring bounding (4x60°)  
Art. number: **6X0827.017**



## Hinge L=110 mm

For premium trailer bodies  
Corrosion resistant  
Spring bounding (4x60°)  
Art. number: **6X0827.016**



Both types can be fixed in 4 position (60 degrees)  
with the bumper buffer within the 240 degree range.



## Slip resistant plywood

Art. number	Thickness (mm)	Plate size (mm)	Sign	Packaging pcs/pallet
6X0835.001	9	1250x2500	J/NY	65
6X0835.002	12	1250x2500	J/NY	50
6X0835.003	15	1250x2500	J/NY	40
6X0835.004	18	1250x2500	J/NY	35
6X0835.005	21	1250x2500	J/NY	30
6X0835.007	9	1500x2500	J/W	65
6X0835.008	12	1250x2500	J/W	50
6X0835.009	15	1250x2500	J/W	40
6X0835.010	18	1250x2500	J/W	30
6X0835.021	9	1500x3000	J/W	65
6X0835.022	12	1500x3000	J/W	50
6X0835.023	15	1500x3000	J/W	40
6X0835.024	18	1500x3000	J/W	30



**9-21 mm thickness**  
**Waterproof glued (AW 100)**  
**Coated with phenol-pellicle on both sides (120g/m<sup>2</sup>)**  
**Non-skid surfacing in one-side (screen printed)**  
**Both edge handled**  
**One side patterned, one side smooth**  
**Apparent density: 690 kg/m<sup>3</sup>**

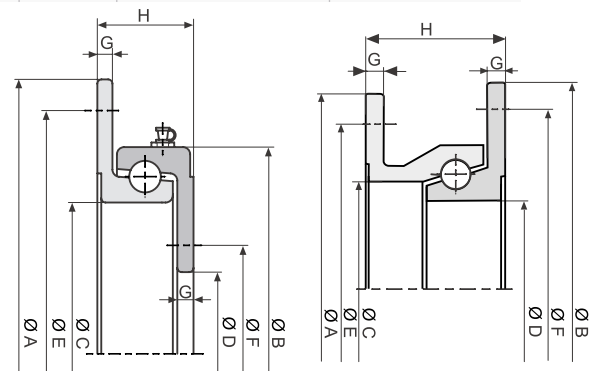
## Slewing ring

N°	Type	A (mm)	B (mm)	C (mm)	D (mm)	E (mm)	F (mm)	G (mm)	H (mm)	Load capacity max. (kg)	Art. number
1	400 Type1	400	400	310	292	375	375	6	55	750	6X1028.005
2	500 Type1	500	500	410	392	475	475	6	55	1000	6X1028.006
3	650 Type2	650	650	568	543	625	625	7	65	1700	6X1028.004
4	650 L	650	592	542	480	625	510	8	45	1500	6X1028.007
5	850 N	850	787	734	665	825	690	8	52	3500	6X1028.003

1-3



4-5



**For agricultural trailers and internal transportation up to 25 km/h.**





## TRAILER WHEELS

### Tyres

Type	Load capacity at 140 km/h	Art. number
Tyre 155/80 R13	437 kg	6X0352.009
Tyre 165 R13C	670 kg	6X0352.010
Tyre 195/50 B10	750 kg	6X0352.015
Tyre 185 R14C	850 kg	6X0352.017
Tyre 195/50 R13C	900 kg	6X0352.018
Tyre 165/70 R13	437 kg	6X0352.025



### Rims

Type	Pitch circle	Load capacity at 140 km/h	Art. number
Wheel disc 4 Jx13" H2 ET30	100x4	500 kg	6X0630.036
Wheel disc 4,5 Jx13" H2 ET30	100x4	710 kg	6X0630.037
Wheel disc 4,5 Jx13" H2 ET30	112x5	710 kg	6X0630.038
Wheel disc 4,5 Jx13" ET30	112x5	900 kg	6X0630.012
Wheel disc 4,5 Jx12" ET30	112x5	900 kg	6X0630.014
Wheel disc 5 Jx13" H2 ET30	112x5	700 kg	6X0630.006
Wheel disc 5,5 Jx13" H2	112x5	900 kg	6X0630.016
Wheel disc 5,5 Jx14" H2 ET30	112x5	900 kg	6X0630.035
Wheel disc 6 Jx10"	112x5	750 kg	6X0630.013
Wheel disc 6 Jx14" H2 ET30	112x5	900 kg	6X0630.004
Wheel disc 6 Jx14" H2 ET30	205x6	1250 kg	6X0630.007



100x4 pitch circle



112x5 pitch circle



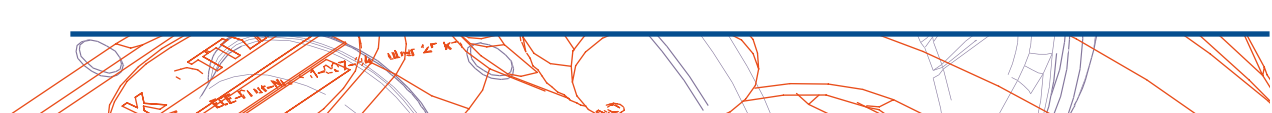
## Wheels

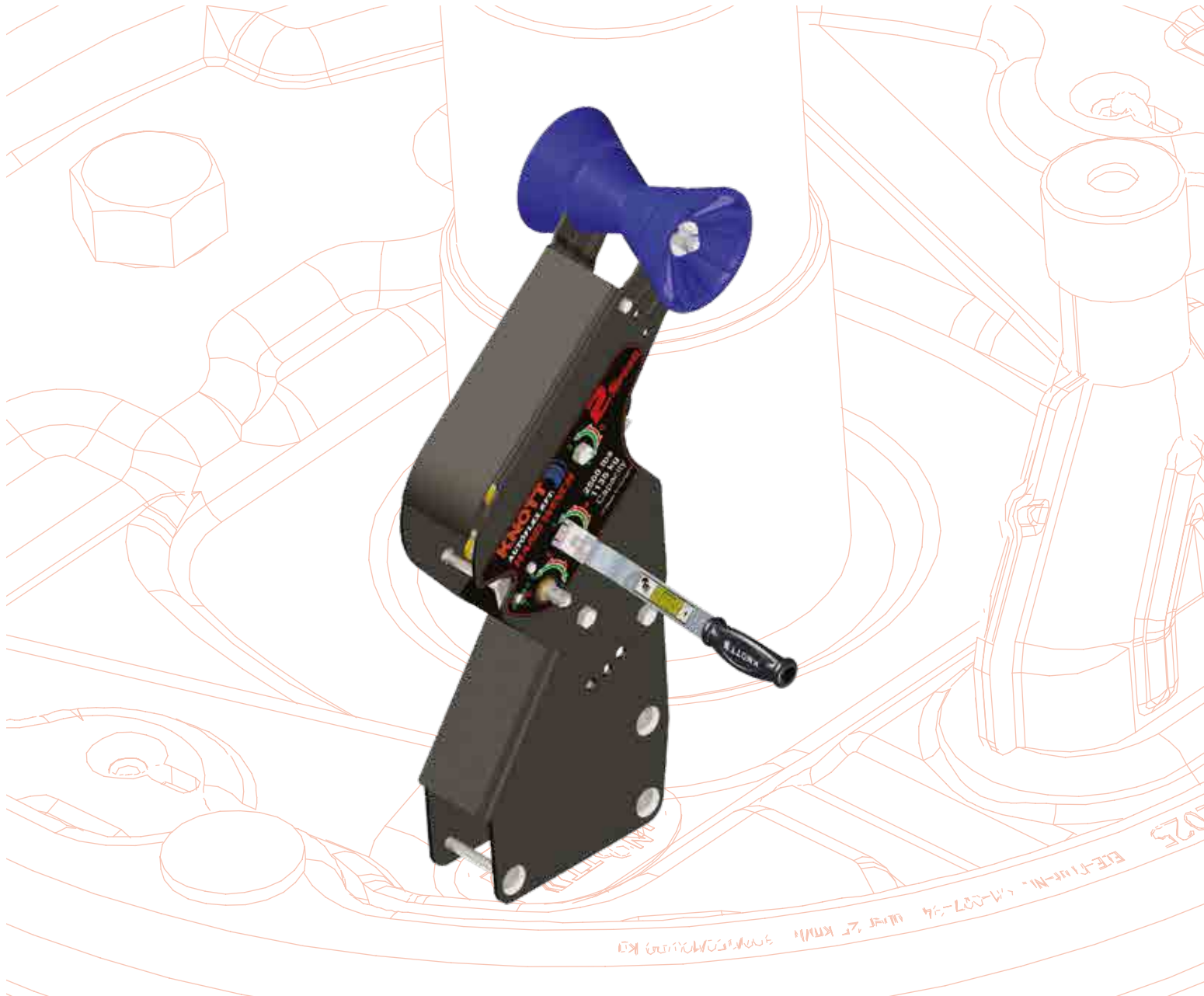
Type	Pitch circle	Load capacity (kg)	Towing speed max. (km/h)	Art. number
4.00-8 ET0	100x4	345	130	6X0698.035
5.00x10	100x4	437	140	6X0698.023
155/70 R12C	112x5	900	140	6X0698.067
155/80 R13 ET30	100x4	500	190	6X0698.068
165 R13C	112x5	670	140	6X0698.064
165/70 R13 ET30	100x4	500	140	6X0698.069
185 R14 ET30	112x5	900	140	6X0698.065
195 R14 ET30	112x5	950	140	6X0698.071
195/50 R13C	112x5	900	140	6X0698.066



## Wheels **NEW**

Type	Pitch circle	Load capacity (kg)	Towing speed max. (km/h)	Art. number
155/70 R13	100x4	375	140	6X0698.062
155 R13C	100x4	615	140	6X0698.063
195/55 R10C	112x5	750	140	6X0698.070





# WINCHES, ROLLERS, PLASTIC PARTS

[www.autoflex.hu](http://www.autoflex.hu)





## WINCHES

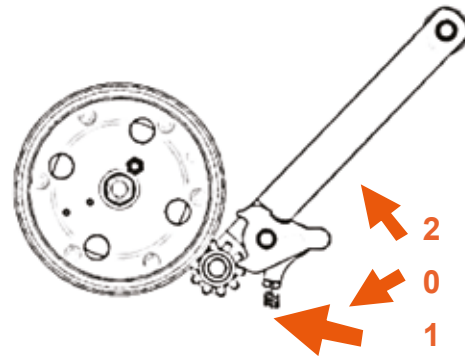
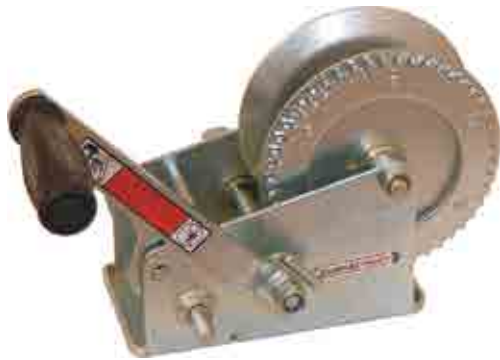
We keep three different types based on their operational functions:

- one-speed winch
- two-speed winch
- automatic hand winch

**We distribute all types with three equipment variants:**

- Without hauling apparatus
- Equipped with engaging hook and wire rope
- Equipped with engaging hook and strip

As for the one and two-speed winches, before moving the load, we must check the position of the three-way ratchet gear. To ensure our safety during the process of moving the load in one way or another, the position of the ratchet gear must be only in position 1 or 2.



## How to use the automatic brake winch

- For lifting, pulling: turn the handle clockwise.
- Stopping abruptly: the load can be stopped in any position simply by letting go off the handle.
- Lowering, cable releasing: turn the handle counterclockwise.
- The automatic brake can prevent the handle from kicking back.

The brake function will only be activated by a minimum load of 25 kgs (55 lbs).

## Adjustable height winch stand

Includes 900 kg or 1150 kg load capacity winch.

Advantages:

- adjustable height (from 15° to 41°)
- easy to mount on the boat trailer
- strong construction
- new design



**For further information about the assembly and the operating instructions of the winches please ask our contact person.**

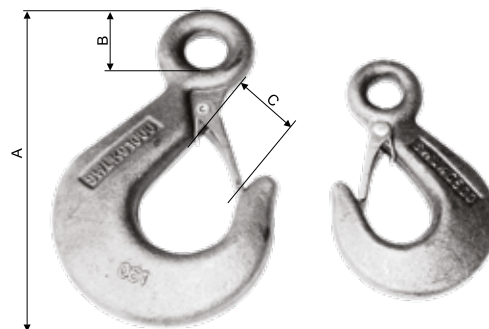




## ACCESSORIES

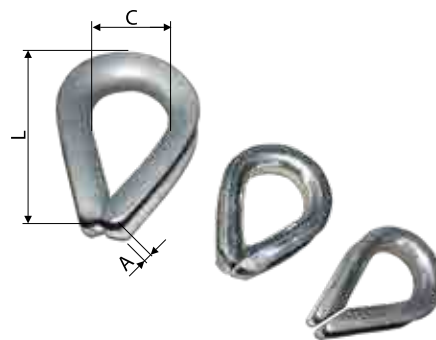
### Hook with eye

Load capacity	AxBxC (mm)	Art. number
250 kg	64x12x18	6X0018.001
500 kg	85x16x24	6X0018.002
1000 kg	116x20x33	6X0018.003



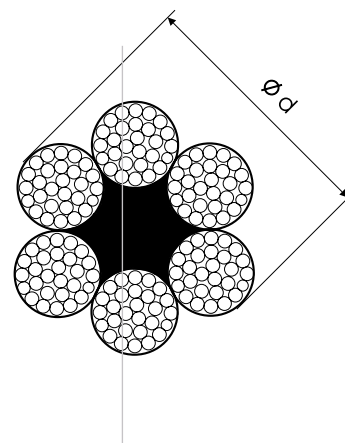
### Wire thimble - galvanized

AxBxC (mm)	Art. number
5x14x23	6X6899.002
6x16x25	6X6899.003
8x20x32	6X6899.005



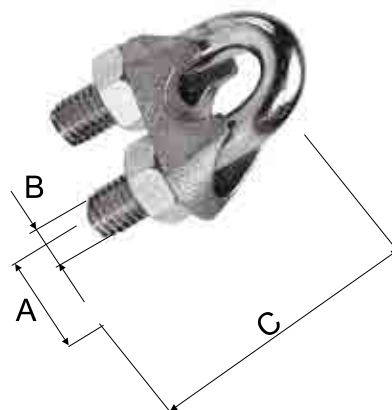
### Wire - cable

Breaking load (kg)	Safe working load (kg)	Size (Ø)	Art. number
914	183	4 mm	6X0549.006
1420	284	5 mm	6X0549.002
2050	410	6 mm	6X0549.004
3600	730	8 mm	6X0549.005



### Wire - cable clip

Cable Ø (mm)	AxBxC (mm)	Art. number
5	11xM5x24	6X0741.002
6,5	13xM5x28	6X0741.003
8	15xM6x34	6X0741.004
10	20xM8x42	6X0741.005



For more sizes please contact our sales personnel!





**WINCHES - WITHOUT BRAKE**



Capacity	Reversible ratchet	Speed	Gear ratio	Cover	Towing element with hook	Colour	Art. number
450 kg	yes	1-speed	4, 1:1	plastic	none wire-cable strap	red	6X0017.504 6X0017.505 6X0017.506
900 kg	yes	2-speed	4:1, 8:1	plastic	none wire-cable strap	red red yellow	6X0017.507 6X0017.508 6X0017.409
1150 kg	yes	2-speed	4:1, 8:1	plastic	none wire-cable strap	yellow	6X0017.410 6X0017.411 6X0017.512



Capacity	Reversible ratchet	Speed	Gear ratio	Cover	Towing element with hook	Colour	Art. number
450 kg	yes	1-speed	4, 1:1	plastic	none wire-cable strap	blue	6X0017.204 6X0017.205 6X0017.206
900 kg	yes	2-speed	4:1, 8:1	plastic	none wire-cable strap	blue	6X0017.207 6X0017.208 6X0017.209
1150 kg	yes	2-speed	4:1, 8:1	plastic	none wire-cable strap	blue	6X0017.210 6X0017.211 6X0017.212



Capacity	Reversible ratchet	Speed	Gear ratio	Cover	Towing element with hook	Colour	Art. number
450 kg	yes	1-speed	4, 1:1	plastic	none wire-cable strap	black	6X0017.304 6X0017.305 6X0017.306
900 kg	yes	2-speed	4:1, 8:1	plastic	none wire-cable strap	black	6X0017.307 6X0017.308 6X0017.309
1150 kg	yes	2-speed	4:1, 8:1	plastic	none wire-cable strap	black	6X0017.310 6X0017.311 6X0017.312







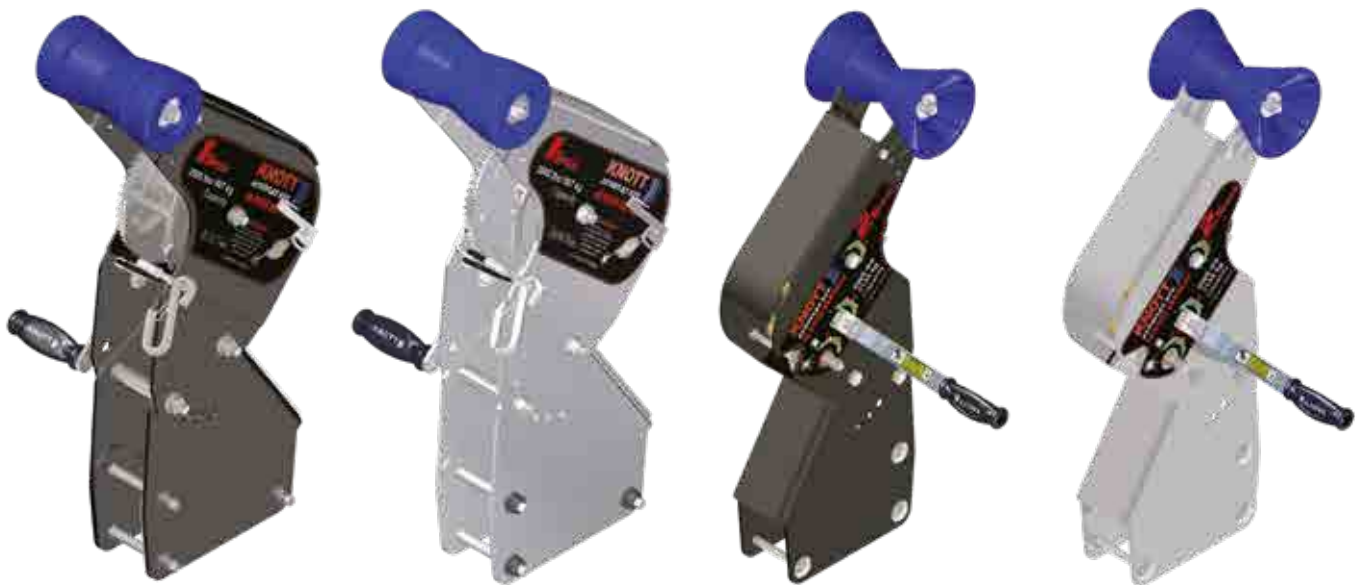
Capacity	Speed	Gear ratio	Cover	Towing element with hook	Colour	Remark	Art. number
414 kg	1-speed	3, 1:1	E-coating + powder painting	strap	silver	- handle can be fitted both side - delivered with 4,6m strap	6S6169.002
414 kg	1-speed	3, 1:1	E-coating + powder painting	strap	silver	- handle can be fitted both side - delivered with 7,6m strap	6S6244.002





## WINCH STANDS - WITHOUT BRAKE

Capacity	Speed	Gear ratio	Cover	Towing element	Colour	Remark	Art. number
950 kg	1-speed	5:1	E-coating + powder painting	none	cover: black roller: blue	- suitable for strap - suitable for 70x70 sq.tube	6S6367.001
950 kg	1-speed	5:1	hot-dip galvanized	none	roller: blue	- suitable for strap - suitable for 70x70 sq.tube	6S6367.002
1150 kg	2-speed	4:1, 8:1	E-coating + powder painting	none	cover: black roller: blue	- suitable for strap - suitable for 80x80 sq.tube	6S5810.001
1150 kg	2-speed	4:1, 8:1	hot-dip galvanized	none	roller: yellow	- suitable for strap - suitable for 80x80 sq.tube	6S5810.005



Available roller colours: yellow, blue and black.  
Please ask for article numbers.





## WINCHES - WITH BRAKE

N°	Capacity	Speed	Gear ratio	Cover	Towing element	Colour	Remark	Art. number
1	680 kg	1-speed	4,5:1	E-coating + powder painting	none	black	- automatic brake - suitable for wire-cable - 2 handles	6S6316001
2	680 kg	1-speed	4,5:1	E-coating + powder painting	none	black	- automatic brake - suitable for strap - 2 handles	6S6433.001
3	680 kg	1-speed	4,5:1	E-coating + powder painting	none	black	- automatic brake - suitable for strap	6S6426.002
4	680 kg	1-speed	4,5:1	E-coating + powder painting	none	black	- automatic brake - suitable for wire-cable	6S6431.002
5	1800 kg	1-speed	19:1	E-coating + powder painting	none	black	- automatic brake - suitable for strap - 2 handles	6S6521.001



### Strap with hook

Capacity	Size	Art. number
450 kg	1 mm x 50 mm x 7 m	6X1407.001
900 kg	1 mm x 50 mm x 10 m	6X1407.002
1150 kg	1,2 mm x 50 mm x 10 m	6X1407.003
675 kg	1 mm x 48 mm x 6 m	6X1407.004
1150 kg	1,2 mm x 50 mm x 6 m	6X1407.005
1575 kg	1,2 mm x 65 mm x 6,5 m	6X1407.006



### Wire-cable with safety hook

Capacity	Size	Art. number
450 kg	Ø 4 m x 10 m	6X1522.001
900 kg	Ø 5 m x 10 m	6X1522.002
1150 kg	Ø 5,3 m x 10 m	6X1522.003
675 kg	Ø 4,76 m x 10 m	6X1522.004
1150 kg	Ø 6,35 m x 10 m	6X1522.005
1575 kg	Ø 7,14 m x 10 m	6X1522.006





## PLASTIC PARTS AND ROLLERS

### Advantages of soft PVC 83 +/-3 shore A material

- corrosion resistant rollers with good physical properties
- insoluble in water, alcohol and saturated hydrocarbons
- non-flammable, wear resistant
- keeps its shape at high temperatures
- it is resilient to surface cracking
- resistant to UV radiation



This material provides a clear, transparent product that has a more superior design than the similar rollers. It is available in three different colors (yellow, blue and black).

#### **Roller holders**

We provide also roller holders for our rollers if needed.

**Please contact our sales personnel about the available sizes.**





## ROLLER ASSEMBLY

### Winch post



Art. number: **6B7840.001**



Art. number: **6B4946.001**

## Bow roller assembly



Art. number: **6B4950.002**



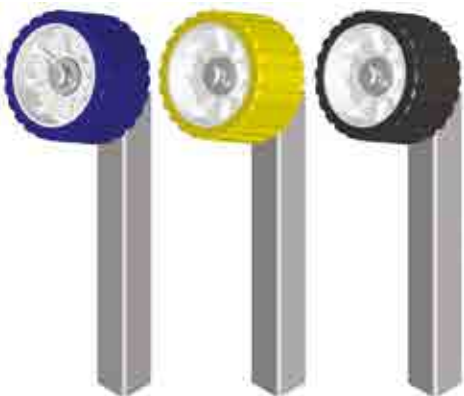
Art. number: **6B4776.004**



Art. number: **6B4783.002**

**Roller material: PVC**

## Wobble roller assembly with bracket



Drawing number: **6B9685**



Drawing number: **6B9682**



## Adjustable roller system

Colour	Axle (pcs)	Art. number
yellow	2	6B3510.003
blue	2	6B3510.103
black	2	6B3510.203
yellow	3	6B3510.002
blue	3	6B3510.102
black	3	6B3510.202
yellow	4	6B3510.001
blue	4	6B3510.101
black	4	6B3510.201



**Optional roller colours: yellow, blue, black**  
**Different models: 4, 6 or 8 rollers**  
**Roller material: PVC**



## Bended axle with rollers

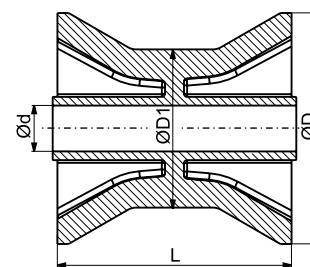
Colour	Axle (pcs)	Art. number
yellow	1	6B3508.001
blue	1	6B3508.101
black	1	6B3508.201





## Bow rollers 3"

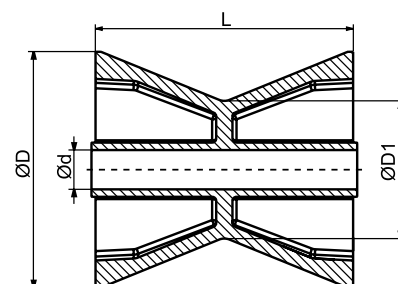
Model	Size (mm)	Colour	Art. number
Bow roller 3"	D=73 D1=49 d=14,5 L=72	yellow	6X1064.012
Bow roller 3"	D=73 D1=49 d=14,5 L=72	blue	6X1064.013
Bow roller 3"	D=73 D1=49 d=14,5 L=72	black	6X1064.029



Material: PVC Sha 93

## Bow rollers 3,5" - 4"

Model	Size (mm)	Colour	Art. number
Bow roller 3,5"	D=89 D1=71,5 d=14,3 L=97	blue	6X1643.001
Bow roller 3,5"	D=89 D1=71,5 d=14,3 L=97	yellow	6X1643.002
Bow roller 3,5"	D=89 D1=71,5 d=14,3 L=97	black	6X1643.003
Bow roller 4"	D=87 D1=50 d=14,5 L=95	blue	6X1064.014
Bow roller 4"	D=87 D1=50 d=14,5 L=95	yellow	6X1065.002
Bow roller 4"	D=87 D1=50 d=14,5 L=95	black	6X1064.030

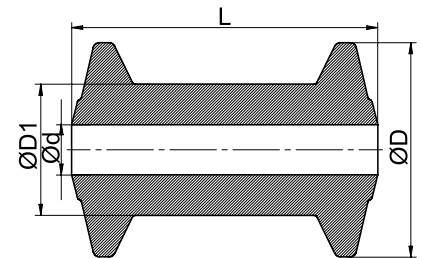




## Keel rollers 4"

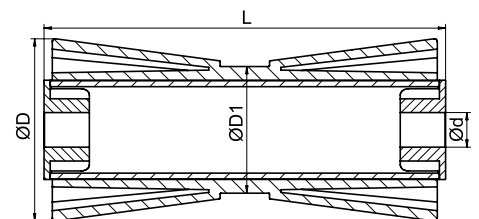
Model	Size (mm)	Colour	Art. number
Keel roller 4"	D=68,5 D1=42 d=16 L=98	blue	6X1064.028
Keel roller 4"	D=68,5 D1=42 d=16 L=98	yellow	6X1064.035
Keel roller 4"	D=68,5 D1=42 d=16 L=98	black	6X 1064.034

**Material: PVC ShA 93**



## Keel rollers 5" - 12"

Model	Size (mm)	Colour	Art. number
Keel roller 5"	D=79 D1=58,5 d=17 L=133	blue	6x1064.036
Keel roller 5"	D=79 D1=58,5 d=17 L=133	yellow	6x1064.038
Keel roller 5"	D=79 D1=58,5 d=17 L=133	black	6x1064.039
Keel roller 8"	D=90 D1=61 d=17 L=194	blue	6x1064.018
Keel roller 8"	D=90 D1=61 d=17 L=194	yellow	6x1064.004
Keel roller 8"	D=90 D1=61 d=17 L=194	black	6x1064.031
Keel roller 10"	D=93 D1=61 d=17 L=259	blue	6x1064.019
Keel roller 10"	D=93 D1=61 d=17 L=259	yellow	6x1064.005
Keel roller 10"	D=93 D1=61 d=17 L=259	black	6x1064.032
Keel roller 12"	D=96 D1=62 d=17 L=305	blue	6x1064.020
Keel roller 12"	D=96 D1=62 d=17 L=305	yellow	6x1064.006
Keel roller 12"	D=96 D1=62 d=17 L=305	black	6x1064.033

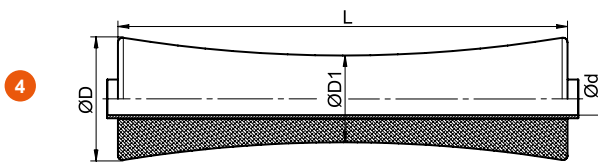
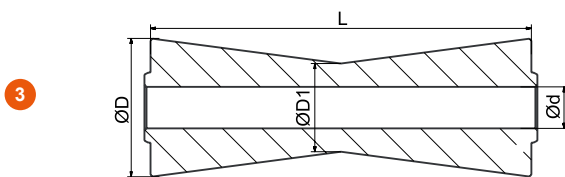
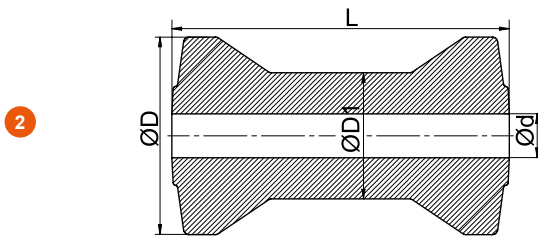
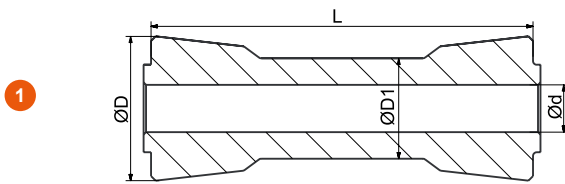






## Keel rollers

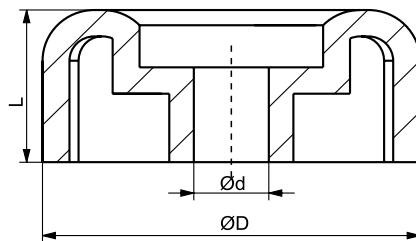
N°	Model	Size (mm)	Colour	Material	Art. number
1	Keel roller 6"	D=58 D1=40,5 d=19 L=154	black	PVC ShA 95	6x1064.040
2	Keel roller 7"	D=121 D1=70 d=17 L=197	blue	PVC ShA 95	6x1064.026
3	Keel roller 7,5"	D=68 D1=43 d=21 L=188	black	PA6 GF30	6x1064.043
4	Keel roller 12"	D=80 D1=56 d=21 L=290	black	PVC ShA 95	6x1064.037



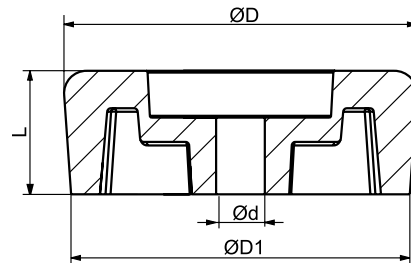


## End caps & end bells

Model	Size (mm)	Colour	Art. number
End cap 3"	D=72,5 d=14,3 L=30	blue	6x1067.010
End cap 3"	D=72,5 d=14,3 L=30	yellow	6x1067.001
End cap 3"	D=72,5 d=14,3 L=30	black	6x1067.025
End cap 4"	D=88 d=14,3 L=35	blue	6x1067.009
End cap 4"	D=88 d=14,3 L=35	yellow	6x1067.008
End cap 4"	D=88 d=14,3 L=35	black	6x1067.024

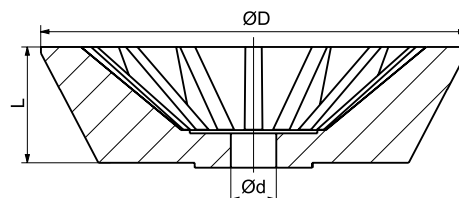


Model	Size (mm)	Colour	Art. number
End cap 3,5"	D=94 D1=91,5 d=13 L=33	blue	6x1067.028
End cap 3,5"	D=94 D1=91,5 d=13 L=33	yellow	6x1067.029
End cap 3,5"	D=94 D1=91,5 d=13 L=33	black	6x1067.030



**Material: PVC ShA 93**

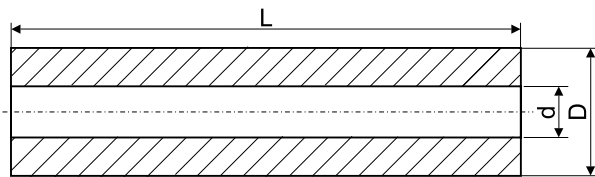
Model	Size (mm)	Colour	Art. number
End bell 3"	D=120 d=14 L=39	blue	6x1066.003
End bell 3"	D=120 d=14 L=39	yellow	6x1066.001
End bell 3"	D=120 d=14 L=39	black	6x1066.005
End bell 4"	D=130 d=14 L=40	blue	6x1066.004
End bell 4"	D=130 d=14 L=40	yellow	6x1066.002
End bell 4"	D=130 d=14 L=40	black	6x1066.006





## Side guide rollers 2,5" x 8 3/4"

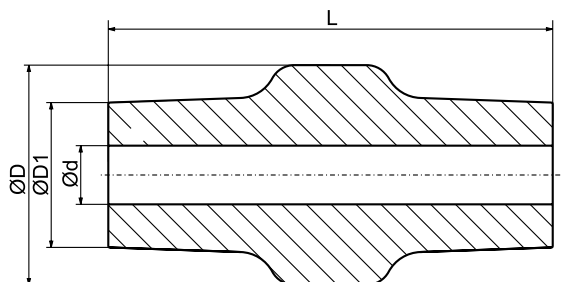
Size (mm)	Colour	Art. number
D=63 d=19 L=220	blue	6x1065.026
D=63 d=19 L=220	yellow	6x1065.025
D=63 d=19 L=220	black	6x1065.024



Material: PVC ShA 93

## Side guide rollers ROTO

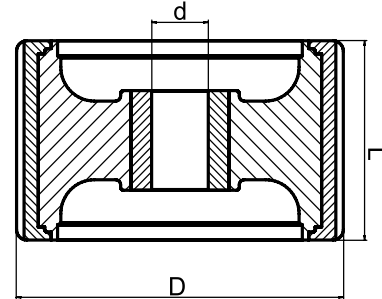
Size (mm)	Colour	Art. number
D=87 D1= 58 d=23 L=177	blue	6x1067.036
D=87 D1= 58 d=23 L=177	yellow	6x1067.035
D=87 D1= 58 d=23 L=177	black	6x1067.037



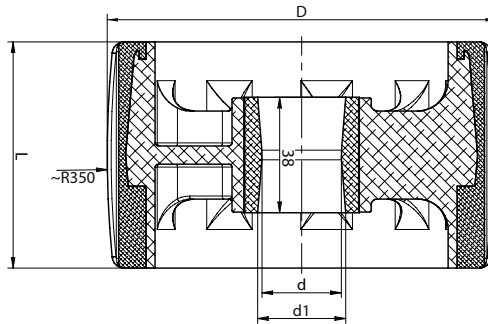


## Wobble rollers 5''

Size (mm)	Colour	Art. number
D=128 d=26 d1=29 L=75	white	6x1067.099
D=128 d=20,5 L=75	yellow	6x1067.022
D=128 d=20,5 L=75	black	6x1067.014
D=128 d=22 L=75	blue	6x1067.021
D=128 d=22 L=75	yellow	6x1067.023
D=128 d=22 L=75	black	6x1067.027
D=128 d=26 L=75	blue	6x1067.015
D=128 d=26 L=75	yellow	6x1067.011
D=128 d=26 L=75	black	6x1067.026

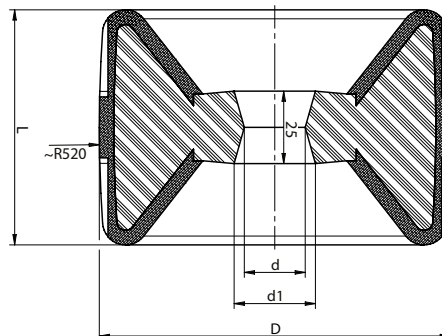


**Material: PVC ShA 93**



## Wobble rollers

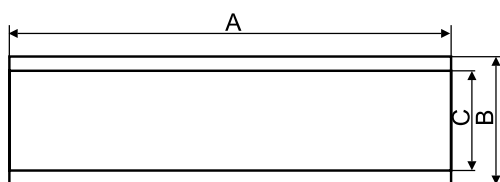
Size (mm)	Colour	Art. number
D=121 d=21 d1=28 L=81	black	6S6029.001
D=121 d=21 d1=28 L=81	gray	6S6029.002





## Keel pad

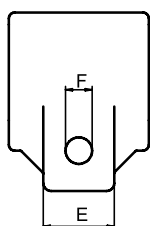
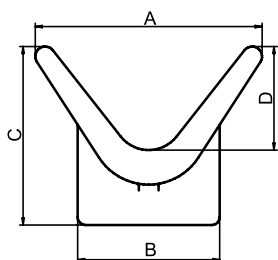
Model	Size (mm)	Colour	Art. number
Keel pad 2"x12"	A=300 B=67 C=54	blue	6x1065.028
Keel pad 2"x12"	A=300 B=67 C=54	yellow	6x1065.029
Keel pad 2"x12"	A=300 B=67 C=54	black	6x1065.030
Keel pad 2,5"x12"	A=300 B=75 C=64	blue	6x1065.012
Keel pad 2,5"x12"	A=300 B=75 C=64	yellow	6x1065.011
Keel pad 2,5"x12"	A=300 B=75 C=64	black	6x1065.023
Keel pad 3"x12"	A=300 B=92 C=80	blue	6x1065.010
Keel pad 3"x12"	A=300 B=92 C=80	yellow	6x1065.009
Keel pad 3"x12"	A=300 B=92 C=80	black	6x1065.022



Material: PVC ShA 93

## V bow stop

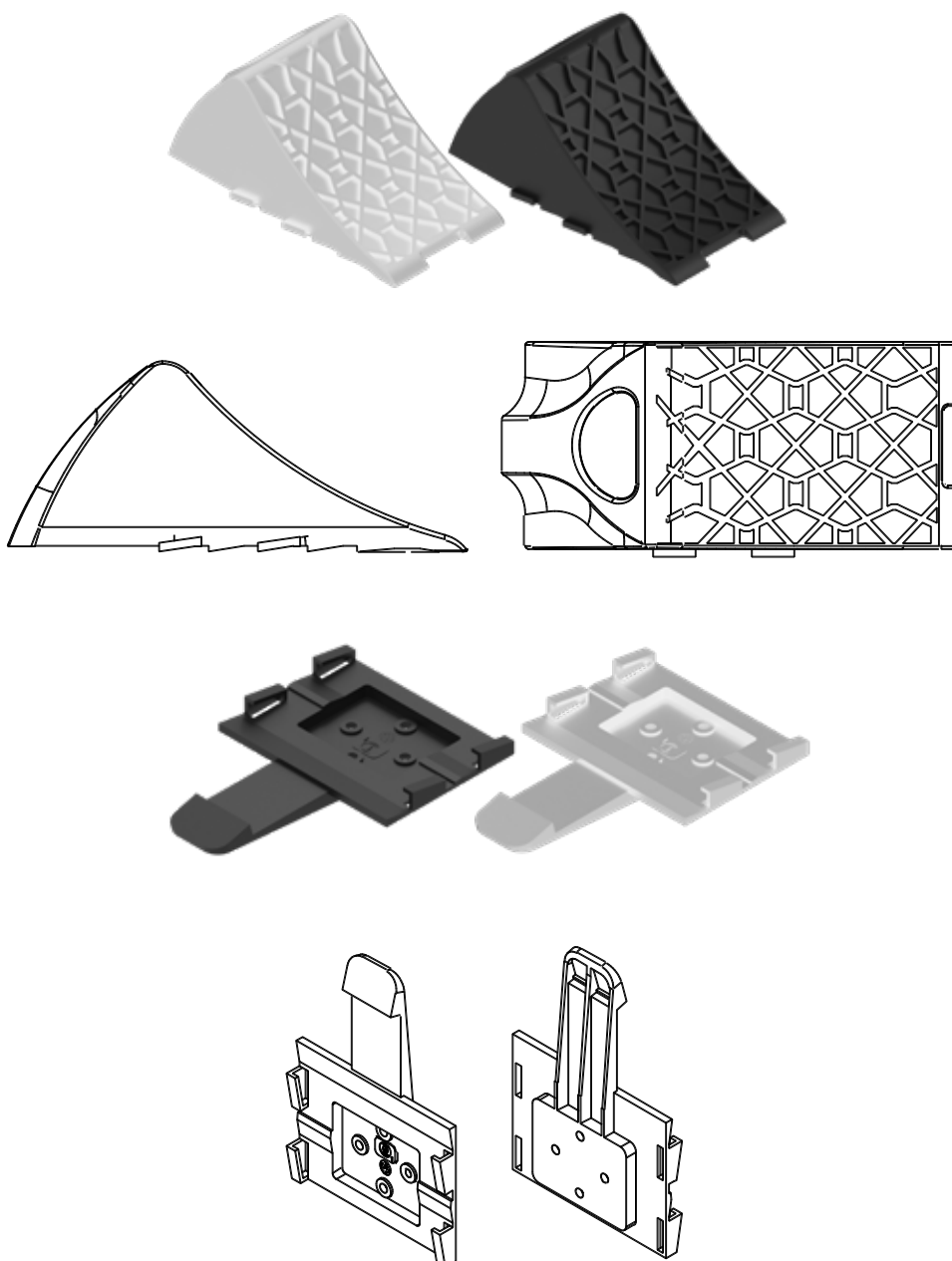
Size (mm)	Colour	Art. number
A=115 B=72 C=90 D=52,5 E=36 F=13	blue	6x1065.016
A=115 B=72 C=90 D=52,5 E=36 F=13	yellow	6x1065.018
A=115 B=72 C=90 D=52,5 E=36 F=13	black	6x1065.017





## Plastic chock and bracket

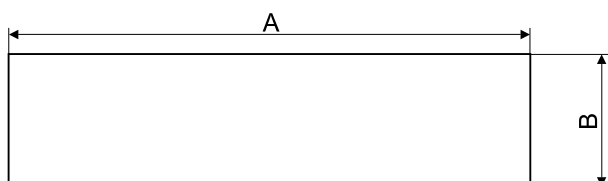
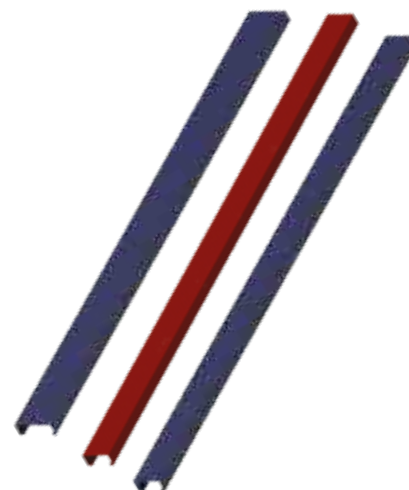
Type	Length A (mm)	Height H (mm)	Width B (mm)	Colour	Load capacity	Art. number	Material
Chock	237	101	110	black	800 kg/wheel	6BH886.001	PP
Bracket	179	20,5	125	black	-	6BH887.001	PP
Chock	237	101	110	white	800 kg/wheel	6BH886.002	PP
Bracket	179	20,5	125	white	-	6BH887.002	PP
Chock	237	101	110	black	1000 kg/wheel	6BJ653.001	PA
Bracket	179	20,5	125	black	-	6BJ654.001	PA
Chock	237	101	110	white	1000 kg/wheel	6BJ653.002	PA
Bracket	179	20,5	125	white	-	6BJ654.002	PA





## Channel glide bunk cover

Length A (mm)	Height H (mm)	Width B (mm)	Colour	Art. number
2000	43	98	grey	6S60132000
2200	43	98	grey	6S60132200
3000	43	98	grey	6S60133000
2000	43	148	grey	6S60142000
2200	43	148	grey	6S60142200
3000	43	148	grey	6S60143000
2000	43	98	blue	6S66582000
2200	43	98	blue	6S66582200
3000	43	98	blue	6S66583000
2000	43	148	blue	6S66592000
2200	43	148	blue	6S66592200
3000	43	148	blue	6S66593000
2000	43	98	rubin red	6S68472000
2200	43	98	rubin red	6S68472200
3000	43	98	rubin red	6S68473000

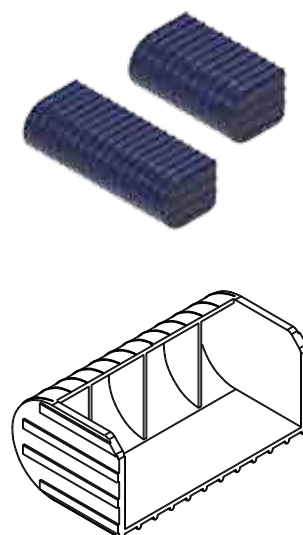


Our plastic bunk covers attach over bunks and lets your boat slide on and off the trailer with ease.

Material: PP

## Bunk cover end

Height H (mm)	Width B (mm)	Colour	Art. number
43	98	blue	6S6372.001
43	98	grey	6S6372.002
43	98	ruby red	6S6372.003
43	98	anthracite grey	6S6372.004
43	148	blue	6S6373.001
43	148	grey	6S6373.002
43	148	ruby red	6S6373.003
43	148	anthracite grey	6S6373.004





## SPARE PARTS FOR HORSE TRAILERS

When the sun heats up the interior of the trailer, the air flows through the sunroof window. The wind creates a vacuum, the roof window suction effect is created, thus the warm air can flow out through the roof window of the trailer. The sunroof can be opened by pushing it upwards. Our sunroof has a lifetime guarantee, except the glass.

N°	Type	Cutting size (mm)	Window material	Art. number
1	SUN Lux	710x345 / R60	plastic	6X0638.006
2	Zenit	763x397 / R60	plastic	6X0638.010
3	LA 4LK003_00	480x330 / R40	plastic	6X1729.002
4	BA 4BK001_00	790x590 / R100	plastic	6X0638.008
5	BA 4BK003_00	790x590 / R100	glass	6X0638.004
6	BA 4BK002_00	914x537 / R100	plastic	6X0638.011
7	BA 4BK008_00	790x590 / R100	metal	6X0638.015

### Frame material: plastic



1



2



3



4 6



5



7

## Separation bar, welded

Hot-dip galvanized  
Available in different sizes  
Art. number: **6B7058.001**







# LIGHTING

[www.autoflex.hu](http://www.autoflex.hu)



## **BOSAL COMFORT PRO II & III**

2 new bicycle carriers in different designs from two up to three bicycles. With a maximum load of 60 kg, the bicycle carriers are also suitable for transporting up to two e-bicycles. They can easily be mounted on the towbar using a fast tensioner.

Sturdy frame holders securely fix the bicycles and additionally protect them from theft.

The optionally available ride-on ramp makes it easy to load the bicycles, which is particularly convenient for e-bicycles and pedelecs.

Both models are equipped with wide wheel rails and stoppers which are very suitable for wide bicycle tires. Even wider wheel stoppers are available for fatbikes.

All systems are delivered assembled and a storage bag for space-saving storage in the trunk, garage or basement is also available separately.

- **For up to 2 or 3 bicycles**
- **Comfortable, practical and helpful**

**Bosal Comfort Pro II**  
**Art. number: 500-002**



**Bosal Comfort Pro III**  
**Art. number: 500-003**





## REAR 3-FUNCTION LED LIGHT

**The 3-function universal rear LED light:**

- has a low power consumption
- European E9 homologation
- the lamp is homologated to be mounted horizontally and vertically as well
- ElectroMagnetic Compatibility - EMC certificate
- shock-resistant - PC lampshade
- reverse polarity protection system

**Lamp functions:**

- rear position light
- STOP light
- indicator

**Technical specification:**

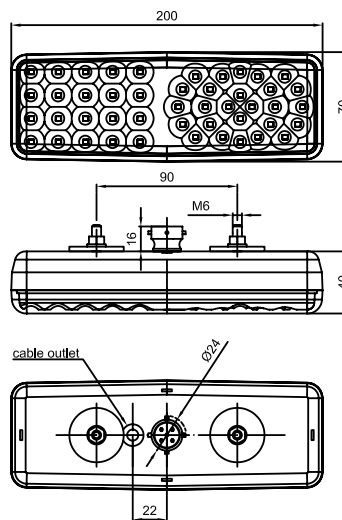
- supply voltage: 12-36V DC
- operating temperature: - 40°C to +55°C
- lamp is resistant to any weather conditions
- lamp is fully airtight

**Power consumption:**

- rear position light 12V/24V = 0,04A/0,02A
- STOP light 12V/24V = 0,2A/0,1A
- indicator 12V/24V = 0,25A/0,125A
- rear position light 12V/24V = 0,5W/0,5W
- STOP light 12V/24V = 2,4W/2,4W
- indicator 12V/24V = 3W/3W

## FT-032 LED

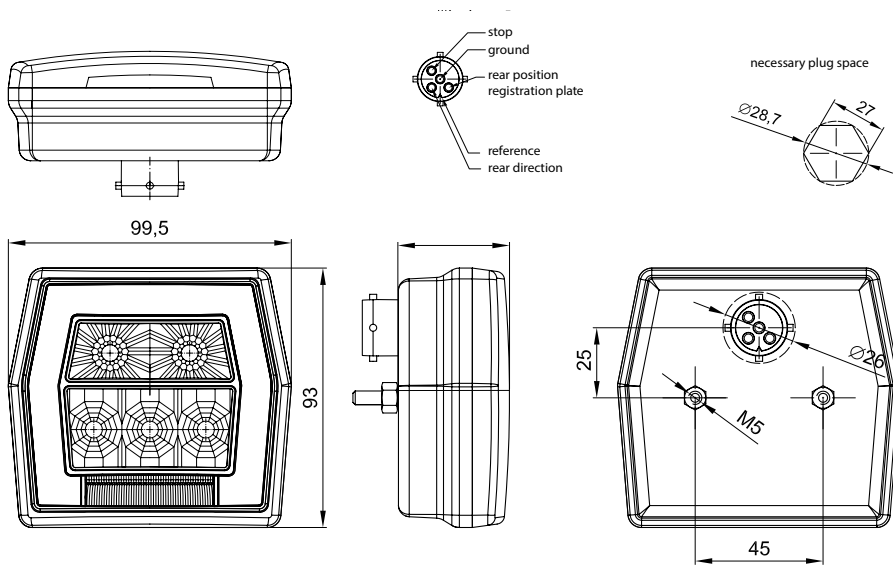
Description	Functions	Foreign key	Art. number
Universal LED rear lamp with a bayonet connector tinted lampshade	indicator, stop light, rear position light	FT-032 LED 8	6X1354.114
Universal LED rear lamp with a bayonet connector and an additional fog- or reverse light power supply cable, tinted lampshade	indicator, stop light, rear position light	FT-032 LED B PM	6X1354.086





# FT-121 LED

Description	Functions	Foreign key	Art. number
Universal LED rear lamp 12-36V, 3-functional, colorless lampshade, yellow indicator, 5 PIN bayonet connector	indicator, stop light, rear position light	FT-121 LED B	6X1354.199





# REAR 7-FUNCTION LED LIGHT

**The 7-function universal LED light:**

- has a low power consumption
- european homologation E9
- ElectroMagnetic Compatibility (EMC) homologation
- shock-resistant - PC lampshade
- reverse polarity protection system

**Lamp functions:**

- rear running light
- licence plate light
- STOP light
- indicator
- fog light
- reflector
- reverse light

**Technical specification:**

- supply voltage: 12-36V DC
- operating temperature: - 40°C to +55°C
- resistant to any weather condition
- fully airtight

**Power consumption:**

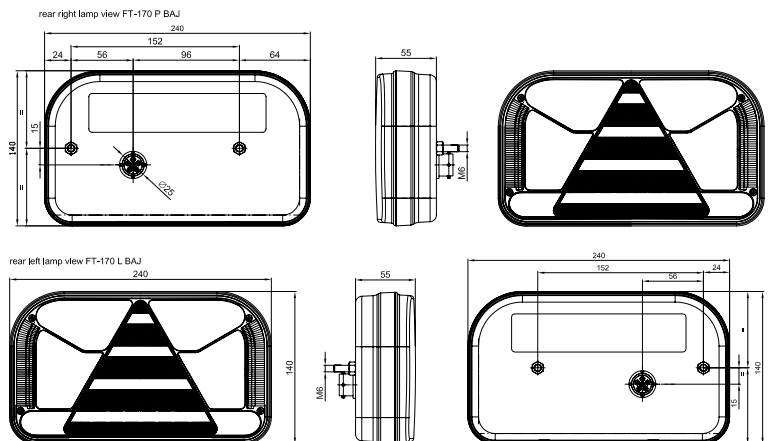
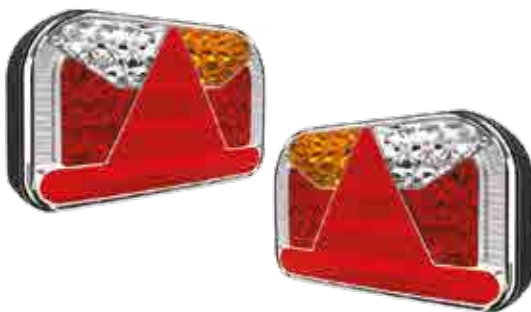
- rear running light + licence plate light - 12V/ 24V = 0,25A/ 0,2A
- STOP light - 12V/ 24V = 0,08A/0,08A
- indicator - 12V/ 24V = 0,12A/0,12A
- reverse light - 12V/ 24V = 0,2A/ 0,1A
- fog light - 12V/ 24V = 0,15A/ 0,08A

**Power consumption / Estimated power:**

- rear running light + licence plate light - 12/ 24V = 3W/ 5W
- STOP light - 12V/ 24V = 1W/ 2W
- indicator - 12V/ 24V = 1,5W/ 3W
- reverse light - 12/ 24V = 2,5W/2,5W
- fog light - 12V/ 24V = 2W/2W

## FT-170 LED

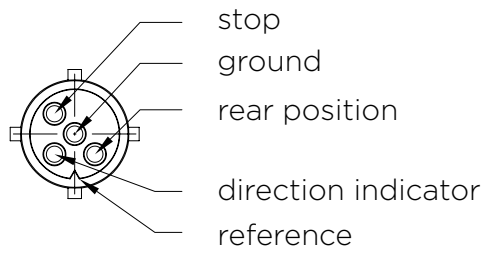
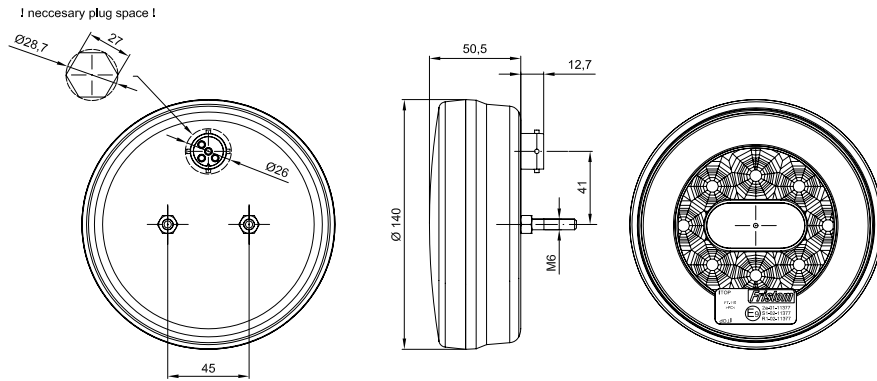
Description	Functions	Foreign key	Art. number
Universal rear LED light 12-36V, 7-function, <b>left side</b> plate light, 6 PIN bayonet connector	- rear running light - licence plate light - STOP light - indicator	FT-170 L TB LED	6X1354.230
Universal rear LED light 12-36V, 7-function, <b>right side</b> plate light, 6 PIN bayonet connector	- fog light - reflector - reverse light	FT-170 L TB LED	6X1354.231





# FT-110 LED

Description	Functions	Foreign key	Art. number
Universal 3-function rear LED light 12/24V, round, 5 PIN bayonet connector	indicator, stop light, rear position light	FT-110 LED B	6X1354.221

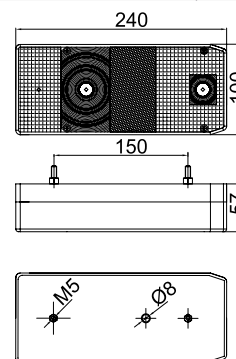




# REAR MULTIFUNCTION LIGHT

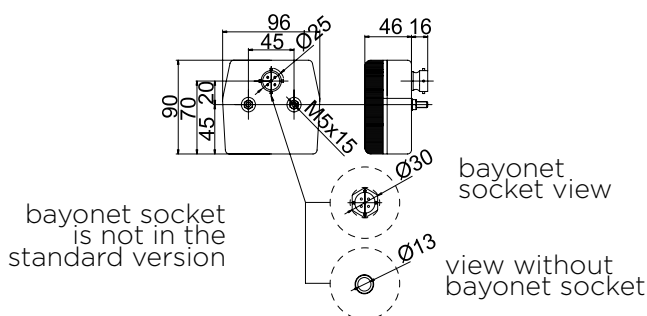
## FT-002

Description	Functions	Foreign key	Art. number
Left rear lamp with a fog light and licence plate light	STOP light, indicator, rear running light, licence plate light, fog light	FT-002 L	6X1354.055
Right rare lamp with a reverse light and licence plate light	STOP light, indicator, rear running light, licence plate light, reverse light	FT-002 P	6X1354.056



## MD-002

Description	Functions	Foreign key	Art. number
Left rear light with a licence plate light	STOP light, indicator, rear running light, licence plate light	MD-002 L	6X1354.001
Right rare light without a licence plate light	STOP light, indicator, rear running light, without licence plate light	MD-002 P	6X1354.002
Left rear light with a licence plate light and a 5 PIN bayonet connector	STOP light, indicator, rear running light, licence plate light, all cables and bulbs are assembled	MD-002 L B	6X1354.013
Right rear light without a number plate light, with a 5 PIN bayonet connector	STOP light, indicator, rear running light, all cables and bulbs are assembled	MD-002 P B	6X1354.102

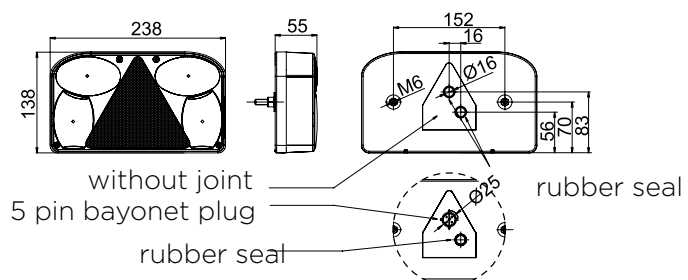




# REAR LIGHT WITH REFLECTING TRIANGLE

## FT-088

Description	Functions	Foreign key	Art. number
Left rear lamp with fog light and 5 PIN bayonet connector	STOP light, indicator, rear running light, licence plate light, fog light, retro reflector, cables and bulbs assembled	FT-088 LPM B	6X1354.014
Right rare lamp with reverse light and 5 PIN bayonet connector	STOP light, indicator, rear running light, licence plate light, reverse light, retro reflector, cables and bulbs assembled	FT-088 PCOF B	6X1354.015
Left rear lamp with reverse light and bayonet connector	STOP light, indicator, rear running light, licence plate light, reverse light, retro reflector, cables and bulbs are assembled, 5 PIN bayonet plug	FT-088 LCOF B	6X1354.025
Right rare lamp with fog light and 5 PIN bayonet connector	STOP light, indicator, rear running light, licence plate light, fog light, retro reflector, cables and bulbs assembled	FT-088 PPM B	6X1354.026
Left lamp with fog light and licence plate light	STOP light, indicator, rear running light, licence plate light, fog light, retro reflector, mass cable assembled, bulbs not included	FT-088 LPM	6X1354.037
Right rare lamp with reverse light and licence plate light	STOP light, indicator, rear running light, licence plate light, reverse light, retro reflector, mass cable assembled, bulbs not included	FT-088 PCOF	6X1354.038
Left rear lamp with reverse light and licence plate light	STOP light, indicator, rear running light, licence plate light, reverse light, retro reflector, mass cable assembled, bulbs not included	FT-088 LCOF	6X1354.039
Right rare lamp with fog light and licence plate light	STOP light, indicator, rear running light, licence plate light, fog light, retro reflector, mass cable assembled, bulbs not included	FT-088 PPM	6X1354.040

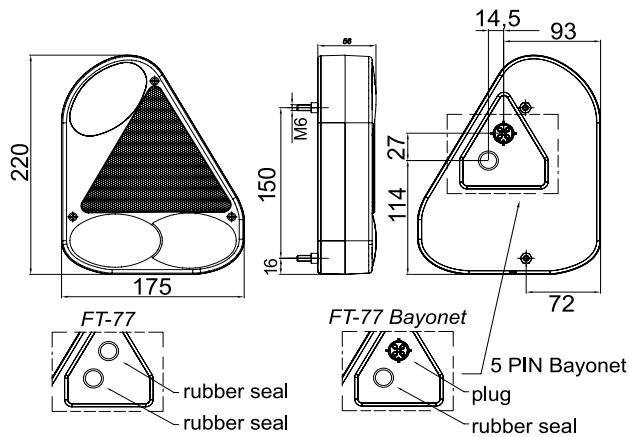






# FT-077

Description	Functions	Foreign key	Art. number
Left lamp with a fog light	STOP light, indicator, rear running light, licence plate light, fog light, retro reflector, mass cable assembled, bulbs not included	FT-077 LPM	6X1354.051
Right lamp with a fog light	STOP light, indicator, rear running light, licence plate light, fog light, retro reflector, mass cable assembled, bulbs not included	FT-077 PPM	6X1354.052
Left lamp with a fog light & 5 PIN bayonet connector	STOP light, indicator, rear running light, licence plate light, fog light, retro reflector, cables and bulbs assembled	FT-077 LPM B	6X1354.053
Right lamp with a fog light & 5 PIN bayonet connector	STOP light, indicator, rear running light, licence plate light, fog light, retro reflector, cables and bulbs assembled	FT-077 PPM B	6X1354.054

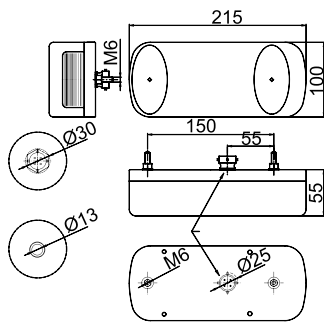




# TRAILER REAR LIGHT

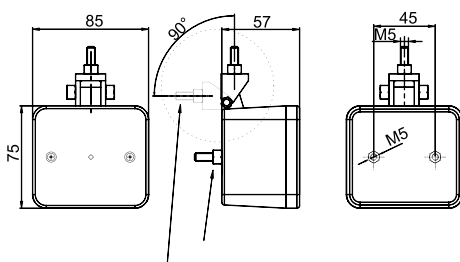
## MD-036

Description	Functions	Foreign key	Art. number
Left rear lamp with a fog light and licence plate light	STOP light, indicator, rear running light, licence plate light, fog light, retro reflector	MD-036 L	6X1354.003
Right rare lamp with a reverse light and licence plate light	STOP light, indicator, rear running light, licence plate light, reversing light, retro reflector	MD-036 P	6X1354.004
Left rear lamp with a fog light, licence plate light, 5 PIN bayonet connector and bulb	STOP light, indicator, rear running light, licence plate light, fog light, retro reflector, cables and bulbs assembled	MD-036 LB B	6X1354.062
Right rare lamp with white lampshade, 5 PIN bayonet connector and bulb	STOP light, indicator, rear running light, licence plate light, reverse light, retro reflector, cables and bulbs assembled	MD-036 PB B	6X1354.063



## MD-035 Rear fog light

Description	Functions	Foreign key	Art. number
Fog light	fog light, screw mounted	MD-035 S	6x1354.099
Fog light	fog light, with mounting bracket	MD-035 P	6x1354.101





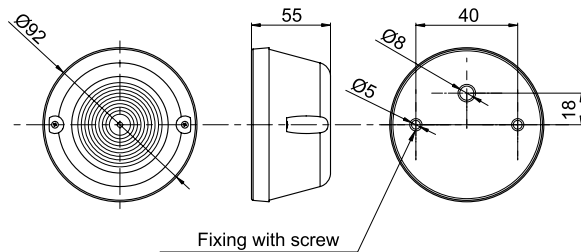
## Licence plate light

Description	Functions	Foreign key	Art. number
Licence plate light	licence plate light, filament lamp C5W	MD-021	6X1354.033
Licence plate light with cable	licence plate lamp with sidelight, 2x0,75 mm <sup>2</sup> cable	FT-037 P	6X1354.073



## UNIVERSAL POSITION LIGHT

Functions	Foreign key	Art. number
marking / clearance light, filament lamp C5W, white	FT-008 B	6x1354.079



## Universal position light with reflector

Description	Functions	Foreign key	Art. number
Universal position light	marking / clearance light, retro reflector, white	FT-001 B	6X1354.006
Universal sidemarking light	marking / clearance light, retro reflector, yellow	FT-001 Z	6X1354.007





## Clearance LED light

Description	Functions	Foreign key	Art. number
End outline marking LED light	marking / clearance light, retro reflector (white + red)	FT-009 D	6X1354.046
End outline marking LED light	marking / clearance light, retro reflector (white + red)	FT-009 F	6X1354.047

**The 2-functional LED clearance lamp is fulfilling highest quality standards.**

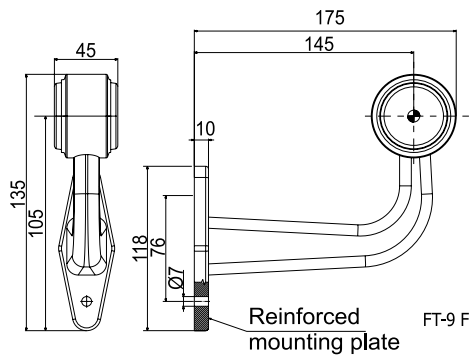
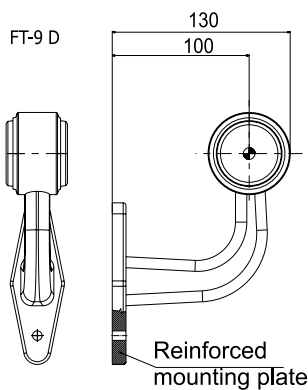
- mounted with rubber bracket integrated flat cable 2x0,75 mm<sup>2</sup>
- voltage supply: 12-36V DC
- optional polarity connection

**Extremely small power consumption:**

- 12V circuit: 12V (0,04A) = 0,5W
- 24V circuit: 24V (0,04A) = 1W

**Working temperature:**

- -40°C to +55°C





# UNIVERSAL POSITION LED LIGHT

Description	Functions	Foreign key	Art. number
Universal position LED light	marking / clearance light, white	MD-013 B+K	6X1354.044
Universal side marking LED light	marking / clearance light, yellow	MD-013 Z+K	6X1354.045
Universal position LED light	marking / clearance light, white	FT-019 B	6X1354.087
Universal side marking LED light	marking / clearance light, yellow	FT-019 Z	6X1354.088
Universal rear position LED light	marking / clearance light, red	FT-019 C	6X1354.089
Universal position LED light	marking / clearance light, holding bracket, white	FT-019 B+K	6X1354.090
Universal side marking LED light	marking / clearance light, holding bracket, yellow	FT-019 Z+K	6X1354.091
Universal rear position LED light	marking / clearance light, holding bracket, red	FT-019 C+K	6X1354.092

**Universal side marking amber LED light with reflector is fullfilling highest quality standards.**

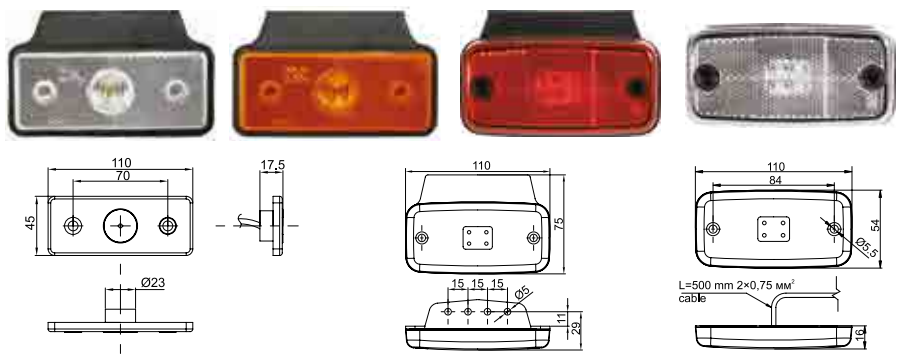
- holding bracket
- integrated cable 2x0,75 mm <sup>2</sup>
- voltage range 12-30V DC
- non-polarised

**Extreme small power consumption:**

- 12V circuit 12V(0,04A) = 0,5W
- 24V circuit 24V(0,04A) = 1W

**Working temperature:**

- -40°C to +100°C



Description	Functions	Foreign key	Art. number
Universal position LED light	marking / clearance light, white	FT-027 B	6X1354.096
Universal side marking LED light	marking / clearance light, yellow	FT-027 Z	6X1354.097
Universal rear position LED light	marking / clearance light, red	FT-027 C	6X1354.098



Description	Functions	Foreign key	Art. number
Universal position LED light	marking / clearance light, white	FT-017 B	6X1354.011
Universal side marking LED light	marking / clearance light, yellow	FT-017 Z	6X1354.094
Universal rear position LED light	marking / clearance light, red	FT-017 C	6X1354.095

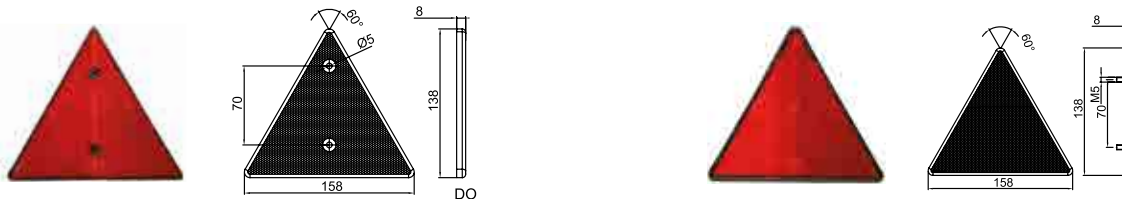




## REFLECTING DEVICES

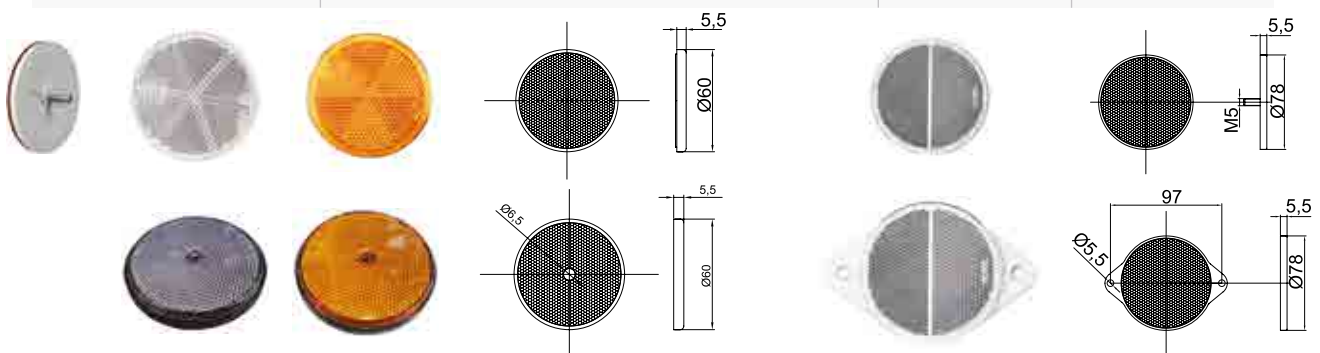
### Triangular reflectors

Description	Functions	Foreign key	Art. number
Triangular retro reflector	screw mounting, red	DOB-031	6X1354.005
Triangular retro reflector	with fixing bolt, red	DOB-030 A	6X1354.045



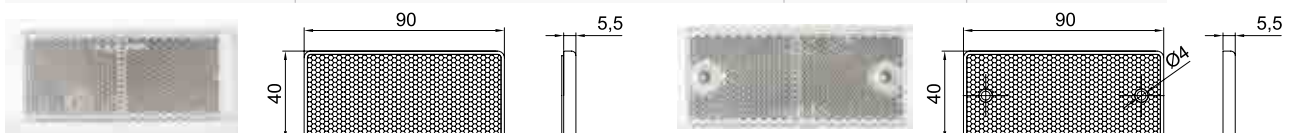
### Round reflectors

Description	Functions	Foreign key	Art. number
Front retro reflector	round (Ø 80 mm) with fixing bolt, white	DOB-039A B	6X1354.060
Side retro reflector	round (Ø 80 mm) with fixing bolt, yellow	DOB-039A Z	6X1354.061
Rear retro reflector	round (Ø 80 mm) screw mounted, red	DOB-039 C	6X1354.072
Front retro reflector	round (Ø 80 mm) screw mounted, white	DOB-039 B	6X1354.027
Side retro reflector	round (Ø 80 mm) screw mounted, yellow	DOB-039 Z	6X1354.028
Front retro reflector	round (Ø 60 mm) self-adhesive, white	DOB-032 B	6X1354.029
Side retro reflector	round (Ø 60 mm) self-adhesive, yellow	DOB-032 Z	6X1354.030
Front retro reflector	round (Ø 60 mm) screw mounted, white	DOB-033 B	6X1354.023
Side retro reflector	round (Ø 60 mm) screw mounted, yellow	DOB-033 Z	6X1354.032



### Rectangular reflectors

Description	Functions	Foreign key	Art. number
Front retro reflector	rectangular, self-adhesive, white	DOB-035 B	6X1354.008
Side retro reflector	rectangular, self-adhesive, yellow	DOB-035 Z	6X1354.009
Side retro reflector	rectangular, screw mounted, yellow	DOB-034 Z	6X1354.058
Front retro reflector	rectangular, screw mounted, white	DOB-034 B	6X1354.059





## ACCESSORIES

### Plug, socket and holder

N°	Type	Rated load	Material	Art. number
1	7 PIN plug	12V / 24V	plastic housing	6X1766.002
2	7 PIN socket	12V / 24V	plastic housing	6X1766.003
3	socket boot		solid rubber	6X1766.004
4	13-7 adapter	12V / 24V	plastic housing	6X1766.005
5	13 PIN socket	12V / 24V	plastic housing	6X1766.006
6	13 PIN plug	12V / 24V	plastic housing	6X1766.007
7	7-13 adapter	12V / 24V	plastic housing	6X1766.008
8	plug holder		FeZn	6B0891.001
9	plug holder		stainless steel	6X1395.003
10	7 PIN plug holder		spring-steel, FeZn	6E5098.001
11	13 PIN plug holder		spring-steel, FeZn	6E5324.001



1



2



3



4



5



6



7



8



9



10



11

### 5-Pole bayonet

Type	Foreign key	Art. number
Bayonet plug for light on the right side	WTY P	6X1354.064
Bayonet plug for light on the left side	WTY L	6X1354.065





## Mounted cable set

Type	Length	Foreign key	Art. number
7 PIN main cable, fog light on the left side	4 m	IA-040-000	6X1354.016
7 PIN main cable, fog light on the left side	5 m	IA-050-000	6X1354.017
7 PIN main cable, fog light on the left side	7 m	IA-070-000	6X1354.019
7 PIN main cable, fog light on the left side, extensions: L2	5 m / L2: 3,1 m	IIIA-050-031	6X1354.066
7 PIN main cable, fog light on the left side, extensions: L2	7 m / L2: 5,5 m	IIIA-070-055	6X1354.067
7 PIN main cable, fog light on the left side, extensions: L2	8 m / L2: 6 m	IIIA-080-060	6X1354.068
7 PIN main cable, fog light on the left side	9 m	IIIA-090-000	6X1354.069
7 PIN main cable, fog light on the left side, extensions: L2	7 m / L2: 0,2 m	IIIA-070-020	6X1354.070
7 PIN main cable, fog light on the left side, extensions: L2	8 m / L2: 0,2 m	IIIA-080-020	6X1354.071



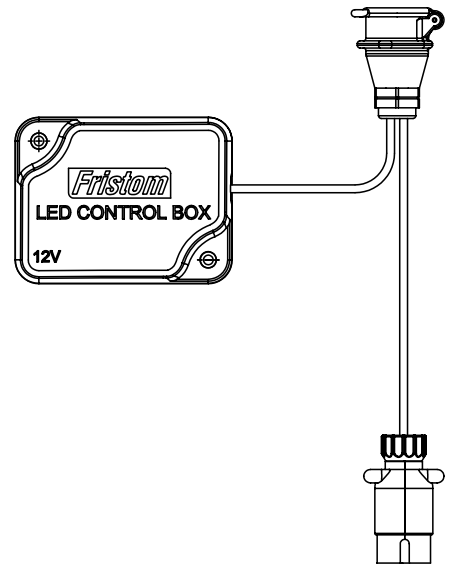




## LED CONTROL BOX

The LED control box grants the original trailer light indicator-control system's correct operation for trailers provided with Fristom LED lighting equipment while keeping the LED lighting's most important advantage: energy saving.

Function	Art. number
7 PIN / 12V	6X1354.216
13 PIN / 12V	6X1354.217



## Tester for 7 PIN plug and socket connection

**The tester on one side has the 7 PIN plug for the trailer and on the other side the 7 PIN socket for the car. The tester quickly indicates if the wiring of the car or the trailer is not working correctly.**

### Trailer (caravan or bicycle carrier) connection testing:

1. Put the plug in the connection of the tester.
2. Press the yellow button on the side of the tester.
3. If the wiring is right, all the LEDs light up.

### LED functions:

1. indicator on the left (yellow)
2. foglight or 12V (blue)
3. mass (white)
4. indicator on the right (green)\*
5. rearlight on the right (brown)
6. brake light (red)
7. rearlight on the left (black)

### Car / camper connection testing:

1. Plug the tester in the car's socket.
2. Press the yellow button on the side of the tester.
3. If the wiring is working correctly, all the LEDs light up.

**\*If a LED doesn't light up, the corresponding wire is defective. If all the LEDs light up, the defect is at the vehicle.**

Description	Function	Art. number
Trailer lighting tester	7 PIN / 12V	502207





<b>Problem</b>	<b>Trailer</b>	<b>Car (when pressing the yellow button)</b>
1. Some LEDs do not light up	Wire damaged or bulb defective. Bad contact	Wire damaged or bulb defective. Bad contact
2. None of the LEDs light up	Mass wire damaged or all bulbs defective. Check the battery of the tester	Mass wire damaged or all bulbs defective. Check the battery of the tester
3. One or more LEDs are weak or twinkle	Wire damaged or the socket is dirty	Wire damaged or the socket is dirty
4. All the LEDs are weak or twinkle	Mass wire damaged. Check the tester battery	Mass wire damaged. Check the tester battery
5. The lights of the trailer do not light up but the LEDs do	Short circuit in the trailer wiring. The fuses will break	

