



There is no trailer without us!



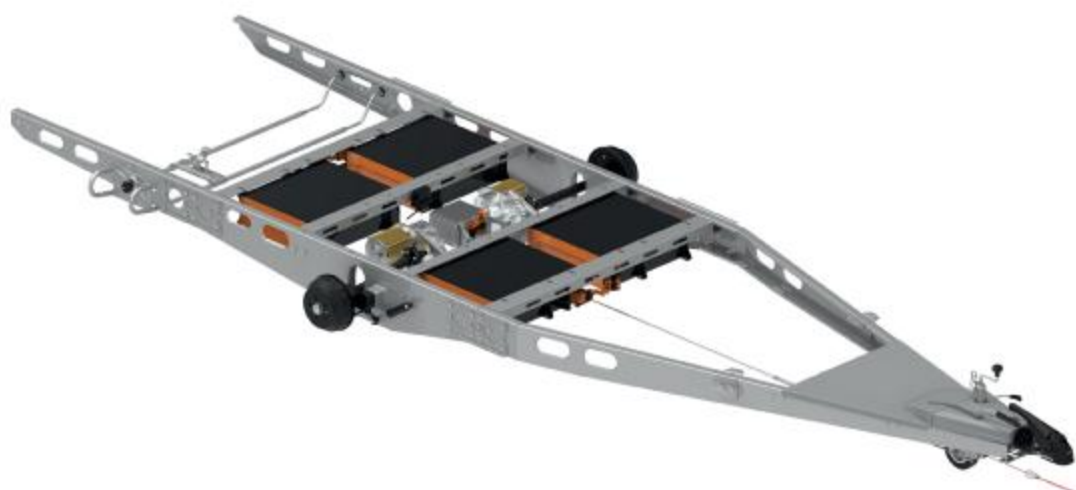
2025

PRODUCT CATALOGUE

www.autoflex.hu



If you build a trailer, if you fix one, you will find everything you need at KNOTT-AUTOFLEX!



A big range of high quality trailer parts, even customized, for more than 40 years.

www.autoflex.hu





| | |
|---------------------------------------|------------|
| COUPLING HEAD..... | 3 |
| TOWING EYE..... | 13 |
| UNBRAKED DRAWBAR..... | 17 |
| OVERRUN DEVICE..... | 25 |
| ADJUSTABLE HEIGHT COUPLING..... | 35 |
| UNBRAKED AXLES..... | 41 |
| BRAKED AXLES..... | 49 |
| RIGID AXLES..... | 77 |
| AGRICULTURAL AXLES..... | 85 |
| SPIRAL SPRING AXLES..... | 91 |
| CHASSIS..... | 97 |
| CLAMP..... | 105 |
| PROP STAND & JOCKEY WHEEL..... | 111 |
| MUDGUARD..... | 129 |
| TRAILER ACCESSORIES..... | 141 |
| WINCHES, ROLLERS & PLASTIC PARTS..... | 157 |
| LIGHTING..... | 177 |





K 30-U UNIVERSAL COUPLING HEAD

FITS MOST TRAILERS!



www.autoflex.hu



COUPLING HEAD

www.autoflex.hu





COUPLING HEAD

OUR COUPLING HEAD

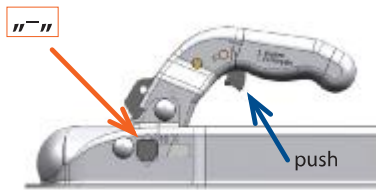
Autoflex-Knott coupling heads are safe and easy to use

All Knott coupling heads are equipped with safety check indicator. The red-green-red label shows the position of the coupling head.

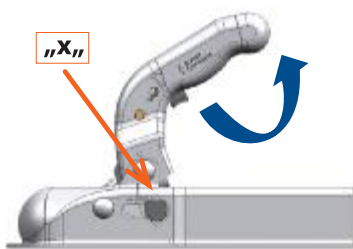
- (red) uncoupled
- + (green) coupled
- x (red) open



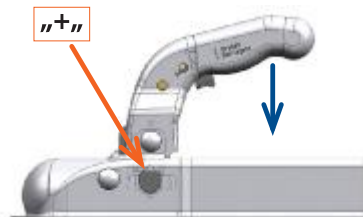
1. Uncoupled (empty)



2. Open



3. Coupled (pushed)



Uncoupling:

Push the trigger and pull the coupling handle upwards. The coupling head is now released and will automatically remain open during which the indicator button stays in the red field with the large "X" in it.

Do not drive the trailer in this position!

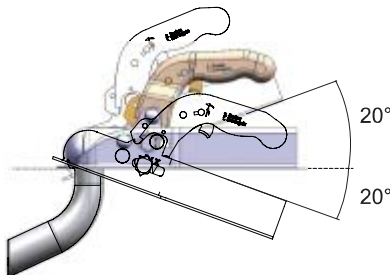
Coupling:

Place the coupling head (that should be in an open position marked with X) on the top of the hitch-ball of the tow vehicle, which, if applied correctly, produces a short clicking sound. When the coupling head is adjusted properly, the indicator automatically jumps to the green zone marked with (+).

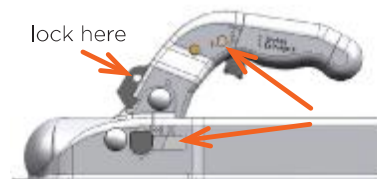
If the indicator is in the red zone marked with (-), the coupling head is not applied properly on the tow vehicle. In this case it is prohibited to tow the trailer!

For more information, please read the service book.

The coupling heads pivot range is max $\pm 25^\circ$ around the vehicle's longitudinal axis. It can swing within a range of $\pm 20^\circ$ on the horizontal plane.



The coupling head can be blocked in both disconnected and connected state.



Advantages:

- material steel plate or cast iron
- surface treatment galvanization
- the product passed the 500 hours salt spray test
- comfortable to handle (different types are available)
- easy to use with the trigger
- lockable in both disconnected and connected state
- has a safe construction

Additional parts:

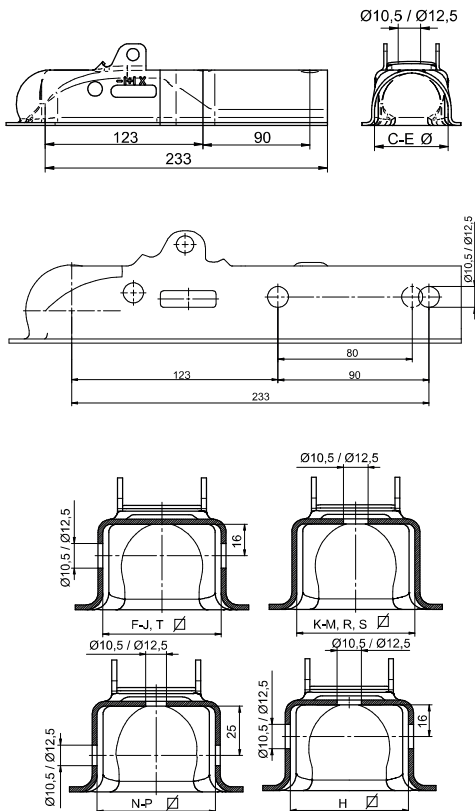
- plug holder
- lock for coupling head
- protector
- safety ball





K 7,5 coupling head for ISO/50

| Type | Joint size (mm) | ECE number | Art. number |
|----------|---------------------------|-------------|-------------|
| K7,5 CN3 | Ø 50 vertical | 55R-01 1040 | 6E0083.023 |
| K7,5 DN3 | Ø 60 vertical | 55R-01 1040 | 6E0083.029 |
| K7,5 EN3 | Ø 70 vertical | 55R-01 1040 | 6E0083.033 |
| K7,5 FN3 | Ø 40 horizontal | 55R-01 1040 | 6E0081.005 |
| K7,5 GN3 | Ø 45 horizontal | 55R-01 1040 | 6E0081.013 |
| K7,5 HN3 | Ø 50 horizontal | 55R-01 1040 | 6E0081.094 |
| K7,5 IN3 | Ø 60 horizontal | 55R-01 1040 | 6E0081.031 |
| K7,5 JN3 | Ø 70 horizontal | 55R-01 1040 | 6E0081.037 |
| K7,5 KN3 | Ø 50 vertical | 55R-01 1040 | 6E0081.094 |
| K7,5 LN3 | Ø 60 vertical | 55R-01 1040 | 6E0081.053 |
| K7,5 MN3 | Ø 70 vertical | 55R-01 1040 | 6E0081.061 |
| K7,5 NN3 | Ø 50 horizontal /vertical | 55R-01 1040 | 6E0081.072 |
| K7,5 ON3 | Ø 60 horizontal /vertical | 55R-01 1040 | 6E0081.080 |
| K7,5 PN3 | Ø 70 horizontal /vertical | 55R-01 1040 | 6E0081.088 |
| K7,5 RN3 | Ø 45 vertical | 55R-01 1040 | 6E0081.090 |
| K7,5 SN3 | Ø 40 vertical | 55R-01 1040 | 6E0081.091 |



Max. load capacity: 750 kg
D-value: 7,2 kN
Vertical load: 75 kg
Material: steel

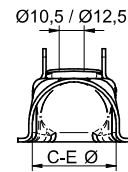
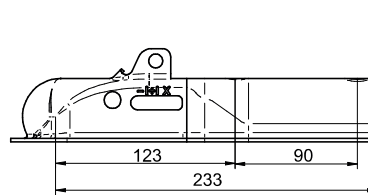




COUPLING HEAD

K 14 coupling head for ISO/50

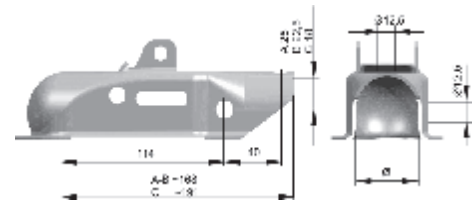
| Type | Joint size (mm) | ECE number | Art. number |
|---------|-----------------|-------------|-------------|
| K14 AN3 | Ø 50 vertical | 55R-01 0505 | 6E0031.002 |
| K14 BN3 | Ø 60 vertical | 55R-01 0505 | 6E0031.004 |
| K14 CN3 | Ø 70 vertical | 55R-01 0505 | 6E0031.006 |



KK 14 coupling head for ISO/50

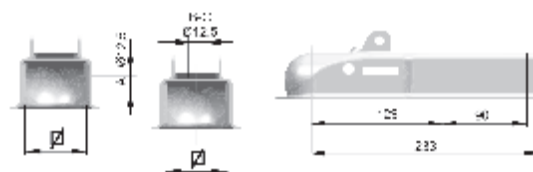
| Type | Joint size (mm) | ECE number | Art. number |
|----------|---------------------------|-------------|-------------|
| KK14 AN3 | Ø 50 horizontal /vertical | 55R-02 3170 | 6E0040.002 |
| KK14 BN3 | Ø 45 horizontal /vertical | 55R-02 3170 | 6E0040.004 |
| KK14 CN3 | Ø 36 horizontal /vertical | 55R-02 3170 | 6E0040.006 |

Max. load capacity: 1400 kg
D-value: 13,2 kN
Vertical load: 100 kg
Material: steel



KQ 14 coupling head for ISO/50

| Type | Joint size (mm) | ECE number | Art. number |
|----------|-----------------|-------------|-------------|
| KQ14 AN3 | Ø 50 horizontal | 55R-01 0510 | 6E0042.004 |
| KQ14 BN3 | Ø 60 vertical | 55R-01 0510 | 6E0042.006 |
| KQ14 CN3 | Ø 70 vertical | 55R-01 0510 | 6E0042.010 |



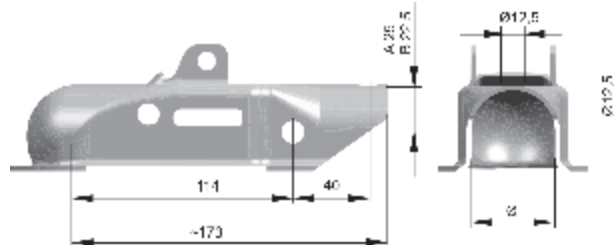
COUPLING HEAD



K 20 coupling head for ISO/50

| Type | Joint size (mm) | ECE number | Art. number |
|---------|---------------------------|-------------|-------------|
| K20 AN3 | Ø 50 horizontal /vertical | 55R-02 2094 | 6E0045.002 |
| K20 BN3 | Ø 45 horizontal /vertical | 55R-02 2094 | 6E0045.004 |

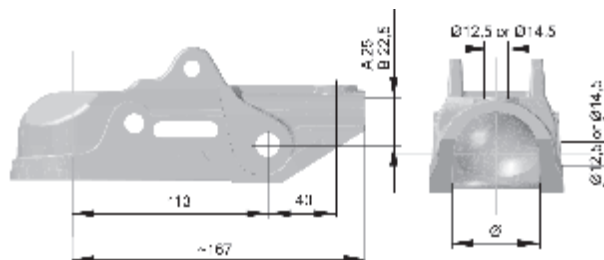
Max. load capacity: 2000 kg
D-value: 18,5 kN
Vertical load: 100 kg
Material: steel



K 27 coupling head for ISO/50

| Type | Joint size (mm) | ECE number | Art. number |
|---------|---------------------------|-------------|-------------|
| K27 AN3 | Ø 50 horizontal /vertical | 55R-02 2122 | 6E0019.004 |
| K27 BN3 | Ø 45 horizontal /vertical | 55R-02 2122 | 6E0019.008 |
| K27 SA | Ø 50 horizontal /vertical | 55R-02 2122 | 6E5302.001 |

Max. load capacity: 2700 kg
D-value: 25 kN
Vertical load: 250 kg
Material: cast iron



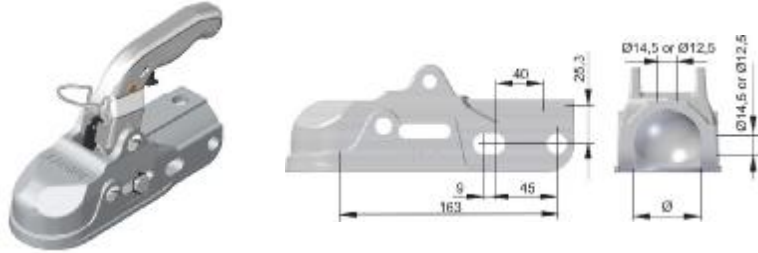


COUPLING HEAD

K 30U coupling head for ISO/50

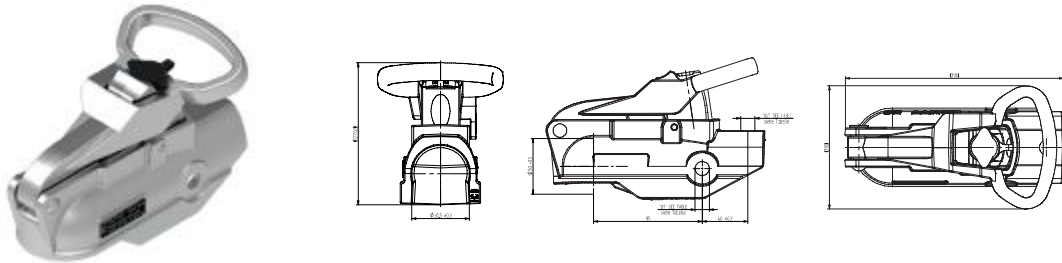
| Type | Joint size (mm) | ECE number | Art. number |
|---------|--------------------------|-------------|-------------|
| K30 UN3 | Ø 50 horiz./vert. (12.5) | 55R-02 2507 | 6E0350.001 |
| K30 UN3 | Ø 50 horiz./vert. (12.5) | 55R-02 2507 | 6E0350.002 |

Max. load capacity: 3000 kg
D-value: 27 kN
Vertical load: 300 kg
Material: cast iron



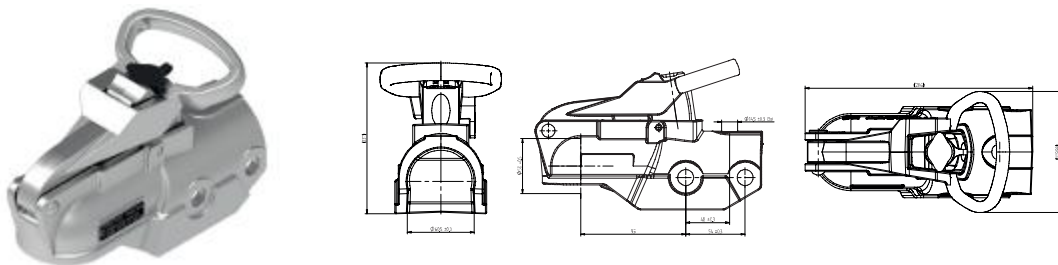
KA 30 coupling head for ISO/50

| Type | Max. load capacity | D-Value | Vert. load capacity | Joint size (mm) | d | D | Material | ECE number | Art. number |
|-------|--------------------|---------|---------------------|-------------------|------|------|-----------|-------------|-------------|
| KA 30 | 3000 kg | 27 kN | 300 kg | Ø 50 horiz./vert. | 12,5 | 12,5 | cast iron | 55R-02 2403 | 6E0512.001 |
| KA 30 | 3000 kg | 27 kN | 300 kg | Ø 50 horiz./vert. | 14,5 | 14,5 | cast iron | 55R-02 2403 | 6E0512.002 |
| KA 30 | 3000 kg | 27 kN | 300 kg | Ø 50 horiz./vert. | 14,5 | 12,5 | cast iron | 55R-02 2403 | 6E0512.003 |



KA 35 coupling head for ISO/50

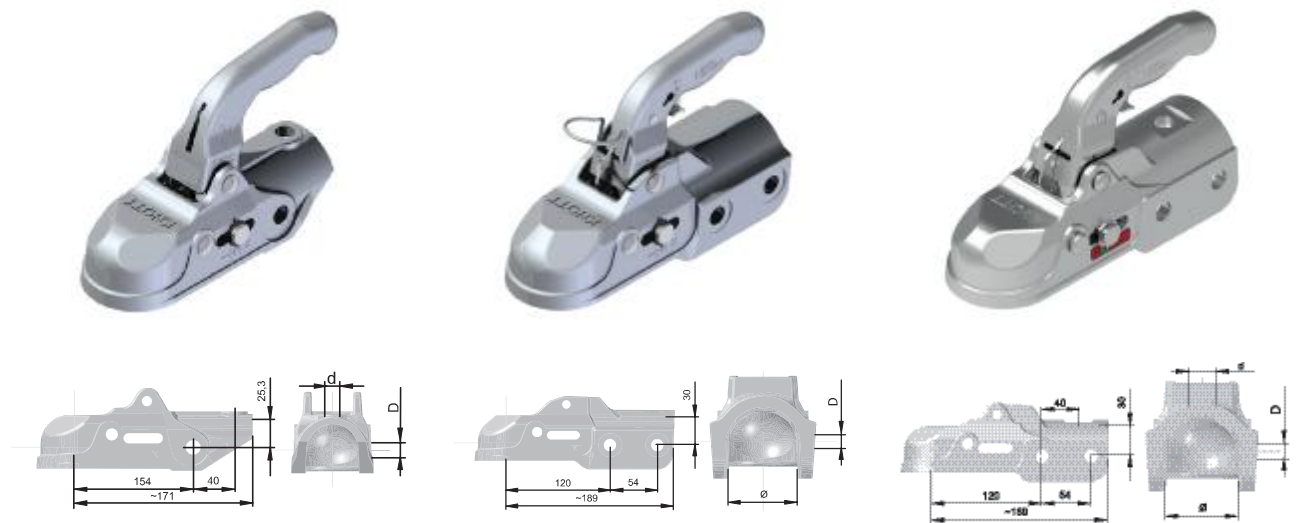
| Type | Max. load capacity | D-Value | Vert. load capacity | Joint size (mm) | d | Material | ECE number | Art. number |
|-------|--------------------|---------|---------------------|-------------------|------|-----------|-------------|-------------|
| KA 35 | 3500 kg | 31 kN | 350 kg | Ø 60 horiz./vert. | 14,5 | cast iron | 55R-02 2402 | 6E0511.001 |





K 35 coupling head for ISO/50

| Type | Max. load capacity | D-Value | Vert. load capacity | Joint size (mm) | d | D | Material | ECE number | Art. number |
|---------|--------------------|---------|---------------------|-------------------|------|------|-----------|-------------|-------------|
| K35 AN3 | 3500 kg | 31 kN | 200 kg | Ø 50 horiz./vert. | 12,5 | 12,5 | cast iron | 55R-02 2121 | 6E0018.004 |
| K35 BN3 | 3500 kg | 31 kN | 200 kg | Ø 45 horiz./vert. | 12,5 | 12,5 | cast iron | 55R-02 2121 | 6E0018.010 |
| K35 CN3 | 3500 kg | 31 kN | 250 kg | Ø 60 horizontal | 14,5 | 14,5 | cast iron | 55R-02 2121 | 6E0077.002 |
| K35 CN3 | 3500 kg | 31 kN | 250 kg | Ø 60 horiz./vert. | 14,5 | 14,5 | cast iron | 55R-02 2121 | 6E5356.001 |



AKFW 7,5 coupling head for ISO/50

| Type | Max. load capacity | D-value | Vert. load capacity | Joint size (triangle) | Material | ECE number | Art. number |
|-------------|--------------------|---------|---------------------|-----------------------|----------|-------------|-------------|
| AKFW7,5 BN3 | 750 kg | 7,2 kN | 75 kg | 23,6° x vertical | steel | 55R-01 2468 | 6E0071.001 |
| AKFW7,5 AN3 | 750 kg | 7,2 kN | 75 kg | 34,6° x vert./horiz. | steel | 55R-01 2468 | 6E0176.001 |



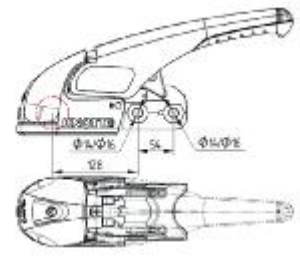
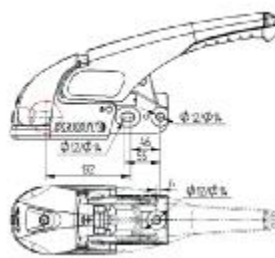


COUPLING HEAD

KS 25-30-35 coupling head

| Type | Max. load capacity | D-value | Max. vert. load capacity | Joint size (mm) | Material | ECE number | Art. number |
|-------|--------------------|---------|--------------------------|-----------------|-----------|-------------|-------------|
| KS 25 | 2500 kg | 27 kN | 250 kg | 50 | cast iron | 55R-01 2928 | 210197.003 |
| KS 30 | 3000 kg | 27 kN | 300 kg | 50 | cast iron | 55R-01 2930 | 209927.003 |
| KS 35 | 3500 kg | 31 kN | 350 kg | 60 | cast iron | 55R-01 2931 | 210207.001 |

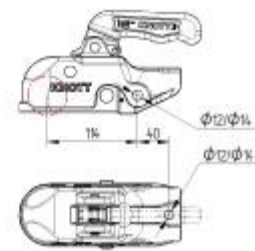
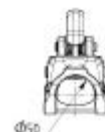
USER MANUAL



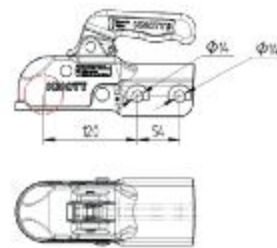
WK 30-35 coupling head

| Type | Max. load capacity | D-value | Max. vert. load capacity | Joint size (mm) | Material | ECE number | Art. number |
|---------|--------------------|---------|--------------------------|-----------------|-----------|-------------|-------------|
| WK 30-A | 3000 kg | 27 kN | 300 kg | 50 | cast iron | 55R-01 2051 | 6E0415.001 |
| WK 35-A | 3500 kg | 27 kN | 350 kg | 60 | cast iron | 55R-01 2052 | 6E0492.001 |

WK 30-A



WK 35-A

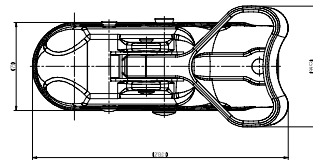
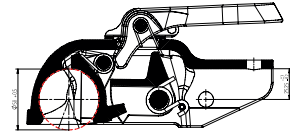
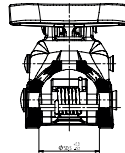


COUPLING HEAD



WK 30-L coupling head

| Type | Max. load capacity | D-value | Max. vert. load capacity | Joint size (mm) | Material | ECE number | Art. number |
|---------|--------------------|---------|--------------------------|-----------------|-----------|-------------|-------------|
| WK 30-L | 3000 kg | 27 kN | 300 kg | 50 | cast iron | 55R-01 2051 | 6E5366.001 |

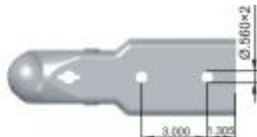
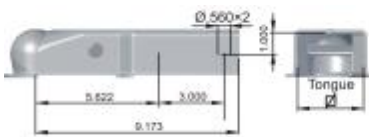


2" coupling head

| Trailer capacity | Ball size (inch) | Vert. load capacity | Tongue (inch) | Art. number |
|------------------|------------------|---------------------|---------------|-------------|
| 3500 lbs | 2" | 165 lbs | 2" | 6X1393.008 |
| 3500 lbs | 2" | 165 lbs | 2 ½" | 6X1393.009 |
| 3500 lbs | 2" | 165 lbs | 3" | 6X1393.010 |

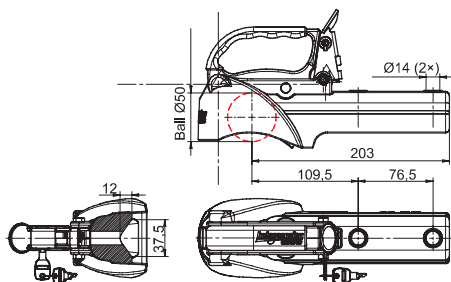
SAE Class: II
Construction: stamped steel

These type of couplers are sold on the USA market.



BQ 27 coupling head

| Type | Max. load capacity | D-value | Vert. load capacity | Material | ECE number | Art. number |
|-------|--------------------|----------|---------------------|-----------|-------------|-------------|
| BQ 27 | 2700 kg | 24,43 kN | 150 kg | cast iron | 55R-01 1478 | 6E0286.001 |



Lockable
Soft dock + lock included





COUPLING HEAD

COUPLING HEAD ACCESSORIES

| N° | Description | Colour | Used for | Art. number |
|----|-------------|--------|----------------|-------------|
| 1 | Soft dock | black | K27, K35 | 6X0078.001 |
| 2 | Soft dock | black | K7,5, KK14-K20 | 6X0078.002 |
| 3 | Soft dock | blue | K7,5, KK14-K20 | 6X0078.006 |
| 4 | Soft dock | black | sheet 2,5mm | 6X0078.008 |
| 5 | Safety ball | blue | all | 203467.001 |



1



2



3



4



5

Customer logo is available

Locks for coupling heads

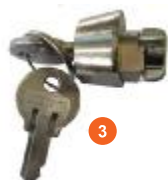
| N° | Description | Coupling head type | Art. number |
|----|-------------------------------|--------------------|-------------|
| 1 | Lock for coupling head VZ-2,5 | K7,5 | 6X0002.001 |
| 2 | Lock for coupling head VZ-4 | K14, KQ14, KK14 | 6X0002.002 |
| 3 | Lock for coupling head VZ-5 | K20 | 6X0002.003 |
| 4 | Lock for coupling head | K27, K35 | 6X0002.004 |
| 5 | Lock for coupling head VZ-12 | K27, K35 | 6X0002.005 |
| 6 | Lock for coupling head | all | 6X0002.011 |
| 7 | Lock for coupling head | KS25, KS30, KS35 | 210174.001 |



1



2



3



4



5

This lock is designed to fit into all coupling heads with a keyhole shape slot in the handle and will prevent the handle from being lifted to release the coupling.



6



7



TOWING EYE

www.autoflex.hu



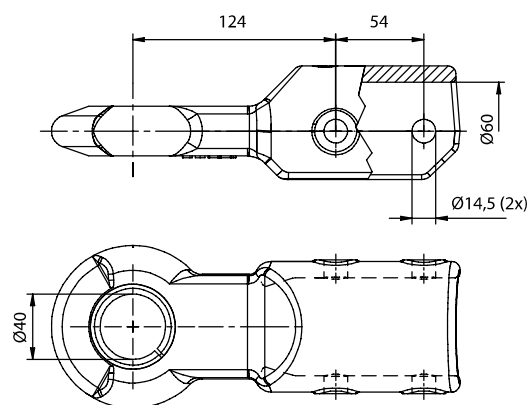
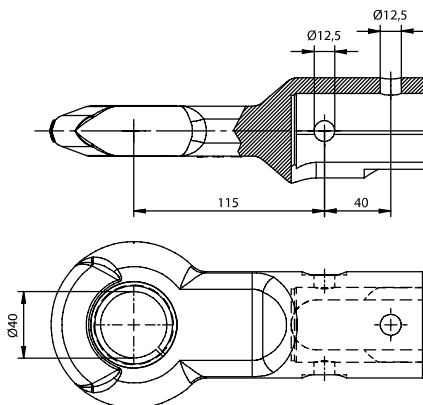


TOWING EYE

TOWING EYE for all overrun couplings DIN version

| N° | A (∅ mm) | B (mm) | C (∅ mm) | D (mm) | F (mm) | G (∅ mm) | ECE number | Art. number |
|----|-------------|------------|-------------|-----------|-----------|-------------|-------------|-------------|
| 1 | 45 | 12,5 | 12,5 | 40 | 20 | 115 | 55R-01 2026 | 98761693 |
| 1 | 50 | 12,5 | 12,5 | 40 | 20 | 115 | 55R-01 2026 | 98949393 |
| 1 | 50 | 14,5 | 14,5 | 40 | 20 | 115 | 55R-01 2026 | 98761993 |
| 1 | 50 | 12,5 | 14,5 | 40 | 20 | 115 | 55R-01 2026 | 98949493 |
| 2 | 60 | 14,5 | 14,5 | 54 | 22 | 124 | 55R-01 0681 | 98762093 |

Type: DIN 74054-40 A
Max. load capacity: 3500 kg
D-value: 31 kN
Vertical load: 350 kg
Material: forged steel

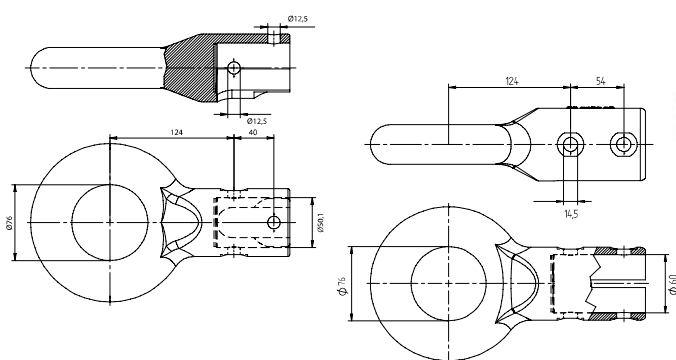


TOWING EYE



NATO version

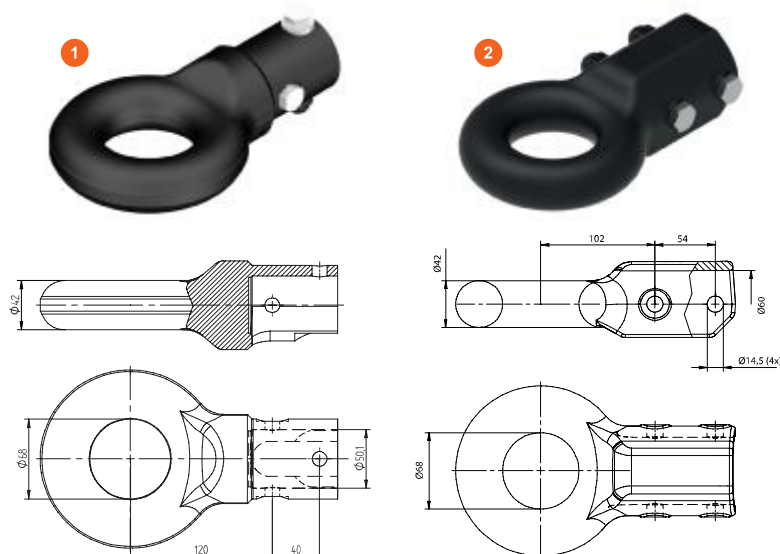
| N° | A (Ø mm) | B (Ø mm) | C (Ø mm) | D (mm) | F (mm) | G (Ø mm) | ECE number | Art. number |
|----|-------------|-------------|-------------|-----------|-----------|-------------|-------------|-------------|
| 1 | 45 | 12,5 | 12,5 | 40 | 16 | 124 | 55R-01 2124 | 98762193 |
| 1 | 50 | 12,5 | 12,5 | 40 | 16 | 124 | 55R-01 2124 | 9896059X |
| 1 | 50 | 14,5 | 14,5 | 40 | 16 | 124 | 55R-01 2124 | 98762793 |
| 2 | 60 | 14,5 | 14,5 | 54 | 22 | 124 | 55R-01 2123 | 98762393 |



Type: NATO VG 74059
Max. load capacity: 3500 kg
D-value: 31 kN
Vertical load: 350 kg
Material: forged steel

FRENCH version

| N° | A (Ø mm) | B (Ø mm) | C (Ø mm) | D (mm) | F (mm) | G (Ø mm) | ECE number | Art. number |
|----|-------------|-------------|-------------|-----------|-----------|-------------|-------------|-------------|
| 1 | 50 | 12,5 | 12,5 | 40 | 20 | 110 | 55R-01 2272 | 6BK522.001 |
| 1 | 50 | 12,5 | 14,5 | 40 | 20 | 110 | 55R-01 2272 | 6BK522.002 |
| 1 | 50 | 14,5 | 14,5 | 40 | 20 | 110 | 55R-01 2272 | 6BK522.003 |
| 2 | 60 | 14,5 | 14,5 | 54 | 20 | 102 | 55R-01 2173 | 207045.001 |



Max. load capacity: 3500 kg
D-value: 31 kN
Vertical load: 350 kg
Material: forged steel



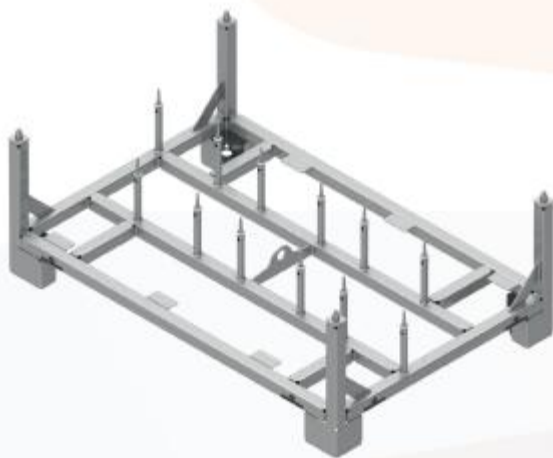
NEW PACKING MATERIALS APPLIED FOR SUSTAINABILITY!

**We will use metal carrier in
the name of sustainability.**

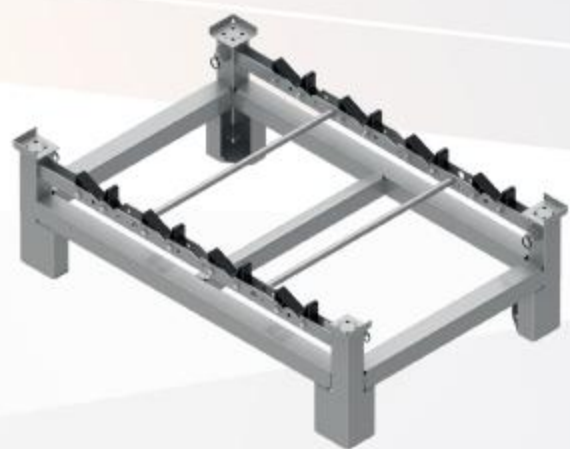
What are the advantages of the metal carrier?

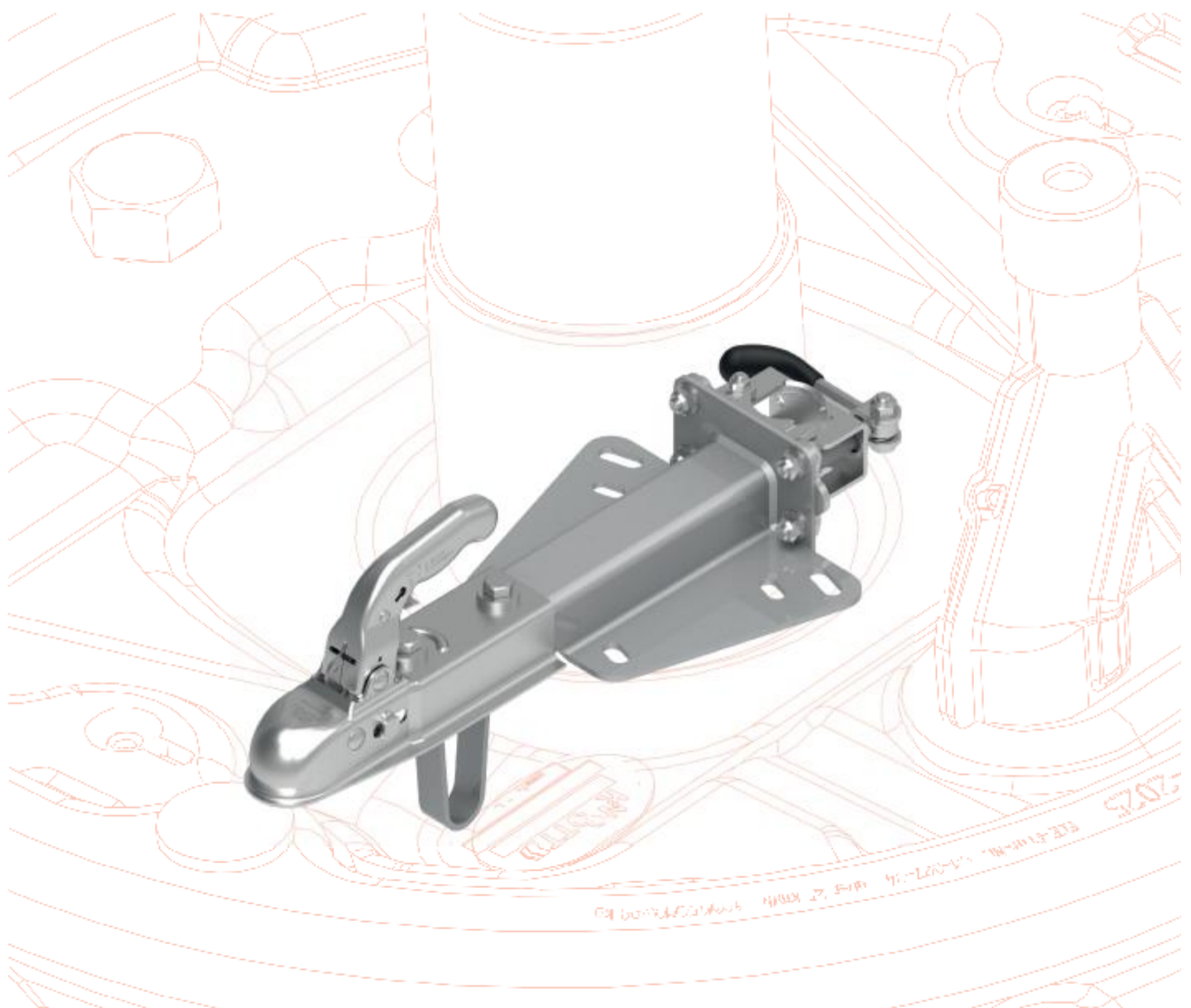
- They protect the materials, the products and the devices stored in them from all external influences and any possible damage.
- Thanks to their extraordinary durability, they have a long service life; in addition, most versions can be repaired and modified, thus by deploying them we can protect the environment.
- Thanks to their wheels, they can be easily moved, so they can be used not only for storage, but also for transportation.
- They are economical, as they are made of metal instead of wood, meaning they can be used several times.

Art. number: 6BJ106.001



Art. number: 6BG722.001





UNBRAKED DRAWBAR

www.autoflex.hu

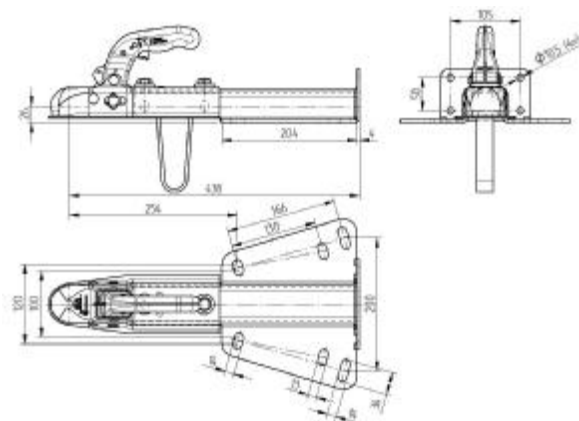
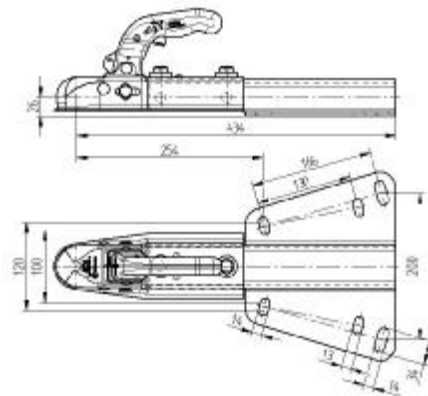




UNBRAKED DRAWBAR

KZE 7,5 V flange drawbar

| N° | Type | Coupling head | D-value (kN) | Vertical load 'S' (max.) | GVWR (kg) | ECE number | Art. number |
|----|---------|---------------|--------------|--------------------------|-----------|-------------|-------------|
| 1 | KZE 7,5 | K7,5 L | 7,2 | 75 kg | 750 | 55R-02 1530 | 6BG801.001 |
| 1 | KZE 7,5 | KQ14 BN 3 | 7,2 | 75 kg | 750 | 55R-02 1530 | 6BG801.002 |
| 2 | KZE 7,5 | K7,5 LN 3 | 7,2 | 75 kg | 750 | 55R-02 1530 | 6BH344.001 |
| 2 | KZE 7,5 | K7,5 LN 3 | 7,2 | 75 kg | 750 | 55R-02 1530 | 6BH344.002 |
| 2 | KZE 7,5 | K7,5 LN 3 | 7,2 | 75 kg | 750 | 55R-02 1530 | 6BH344.006 |



UNBRAKED DRAWBAR

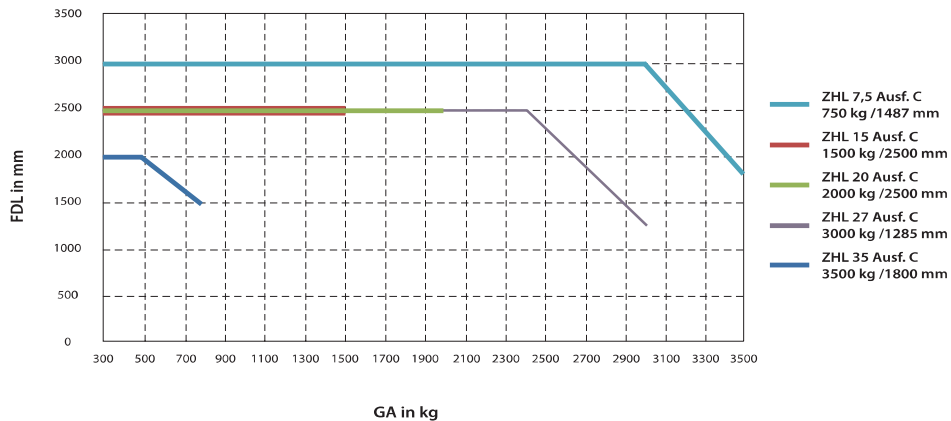
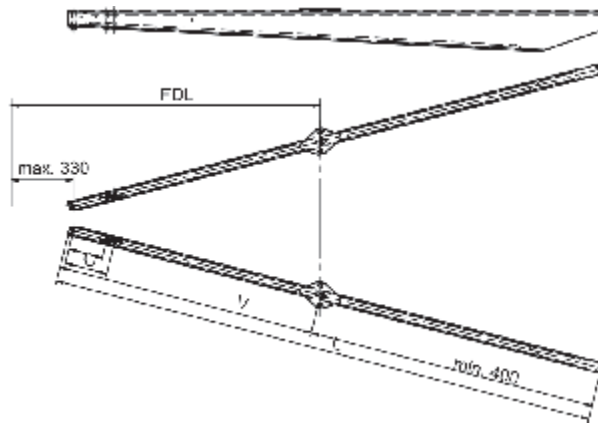


A-frame drawbar (welded version)

| Type | D-value (kN) | Vert. load. (max.) | FDL | C (mm) | V (mm) | ECE number | Drawing number (recommendation) |
|--------|--------------|--------------------|------------------|---------|--------|-------------|---------------------------------|
| ZHL 15 | 17 | 100 kg | 1500 kg/ 2500 mm | 130/166 | 1195 | 55R-01 0565 | 6A4719 |
| ZHL 20 | 22 | 100 kg | 2000 kg/ 2500 mm | 166/207 | 931 | 55R-01 0579 | 6A5280 |
| ZHL 27 | 31 | 300 kg | 3000 kg/ 1285 mm | 166/207 | 1023 | 55R-01 0300 | 6A4003 |
| ZHL 35 | 31 | 350 kg | 3500 kg/ 1800 mm | 166/207 | 1260 | 55R-01 0729 | 6A4790 |



Version: C

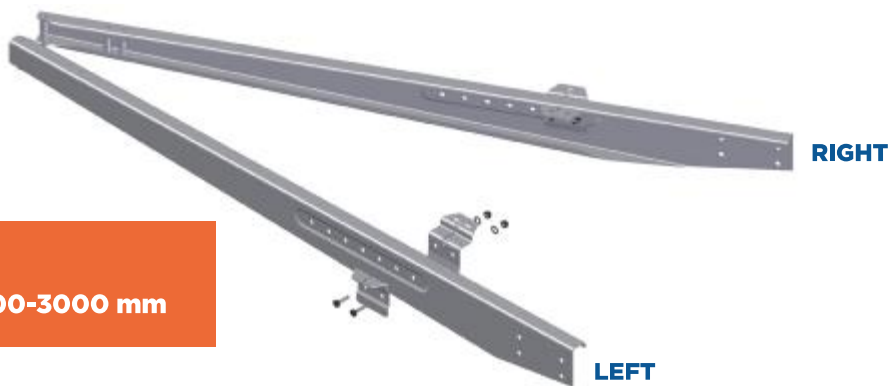




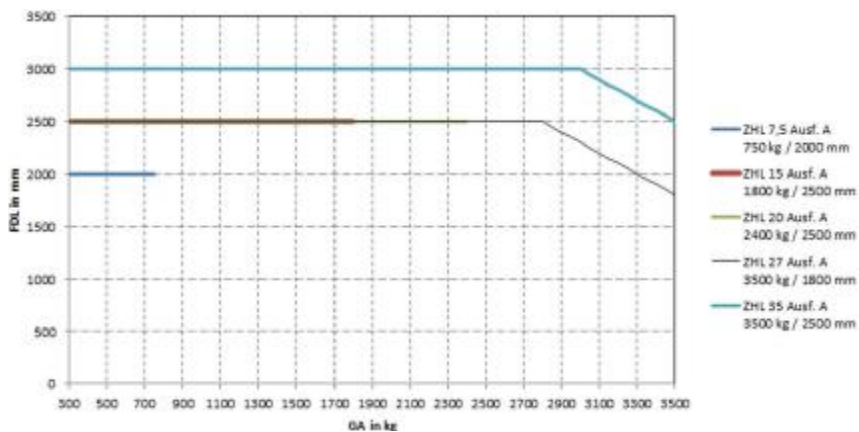
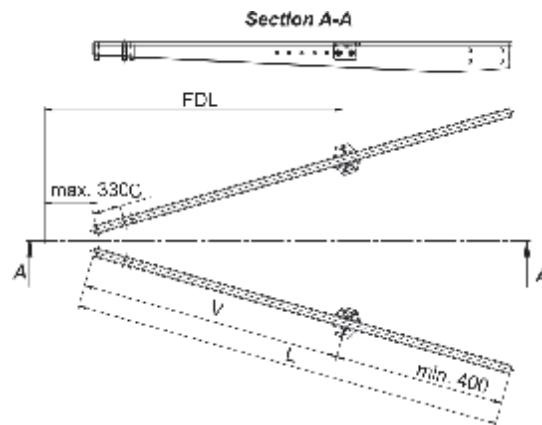
UNBRAKED DRAWBAR

A-frame drawbar (mountable version)

| Type | D-value (kN) | Vert. load. (max.) | FDL | C (mm) | V (mm) | ECE number | Drawing number (recommendation) |
|---------|--------------|--------------------|------------------|------------|-----------|-------------|---------------------------------|
| ZHL 7,5 | 7,2 | 75 kg | 750 kg/ 2000 mm | 130 or 166 | 1267 | 55R-01 1960 | 6B4465 |
| ZHL 15 | 17 | 100 kg | 1800 kg/ 2500 mm | 130 or 166 | 910-1210 | 55R-01 0565 | 6A4507 |
| ZHL 20 | 22 | 100 kg | 2400 kg/ 2500 mm | 166 / 207 | 910-1210 | 55R-01 0579 | 6A1136 |
| ZHL 27 | 31 | 300 kg | 3500 kg/ 1800 mm | 166 / 207 | 910-1210 | 55R-01 0300 | 6A1176 |
| ZHL 35 | 31 | 350 kg | 3500 kg/ 2500 mm | 166 / 207 | 1130-1430 | 55R-01 0729 | 6A2775 |



Version: A
L (min-max): 1500-3000 mm



UNBRAKED DRAWBAR



Round drawbar

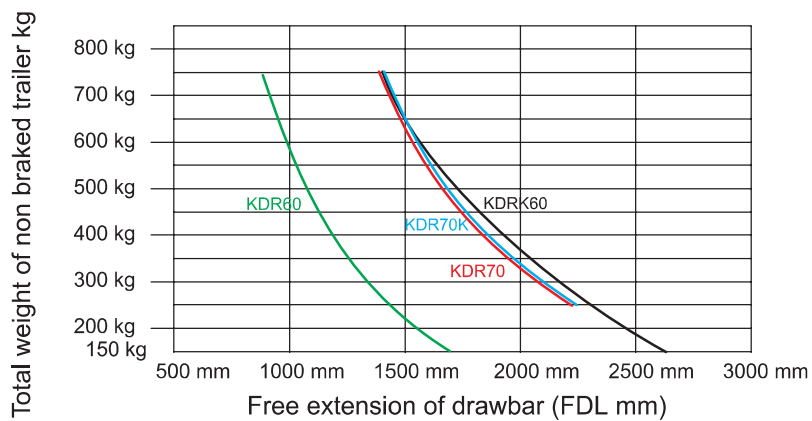
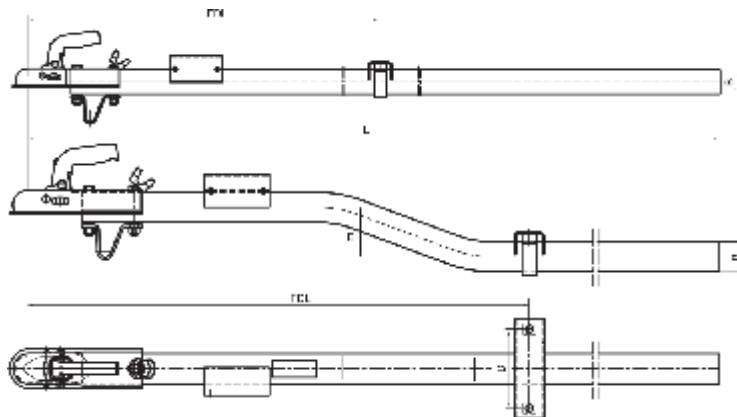
| Type | E (mm) | FDL (mm) | D (mm) | B (mm) | L (mm) | | ECE number | Art. number |
|-----------------|--------|----------|--------|--------|----------|------|-------------|-------------|
| | | | | | standard | max. | | |
| KDR 70 | - | 1390 | 160 | ∅ 70x4 | 2000 | 6108 | 55R-01 0887 | 6A1246.004 |
| KDRK 70 cranked | 100 | 1365 | 160 | ∅ 70x4 | 2000 | 5800 | 55R-01 0947 | 6A1248.001 |



KDR

KDRK

Coupling head: K14CN3
Vertical load: 75 kg
GVWR: 750 kg





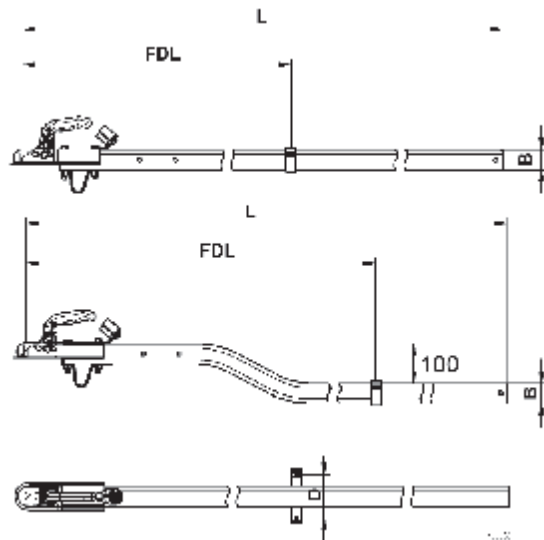
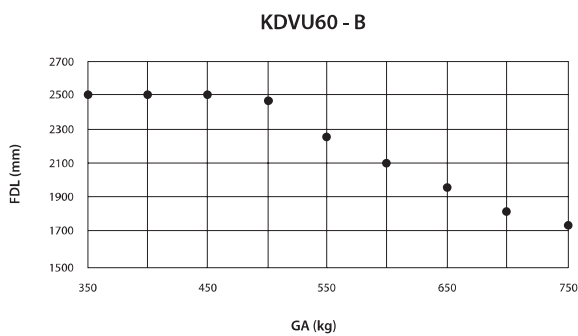
UNBRAKED DRAWBAR

KDVU 60 square drawbar

| Type | FDL (mm) | D (mm) | B (mm) | L (mm) | Art. number |
|-----------|----------|--------|---------|--------|-------------|
| KDVU 60-B | 1227 | 130 | 60x60x3 | 2000 | 205601.001 |
| KDVU 60-B | 1227 | 130 | 60x60x3 | 2500 | 205601.002 |
| KDVU 60-B | 1227 | 130 | 60x60x3 | 3000 | 205601.003 |

| Type | FDL (mm) | D (mm) | B (mm) | L (mm) | Art. number |
|-------------------|----------|--------|---------|--------|-------------|
| KDVU 60-B cranked | 1227 | 130 | 60x60x3 | 2000 | 205930.001 |
| KDVU 60-B cranked | 1227 | 130 | 60x60x3 | 2500 | 205930.002 |
| KDVU 60-B cranked | 1227 | 130 | 60x60x3 | 3000 | 205930.003 |

Coupling head: K7,5 LN3
Vertical load: 75 kg
GVWR: 750 kg
ECE-number: 55R-01 1877



UNBRAKED DRAWBAR

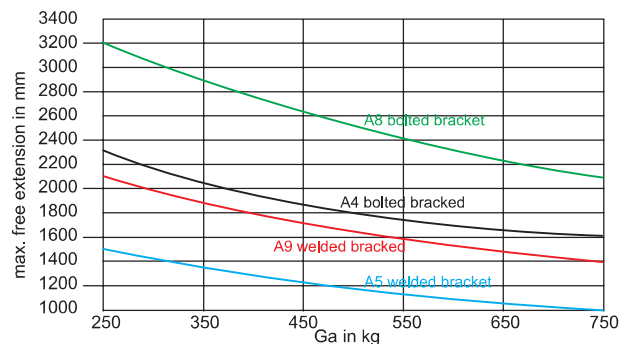
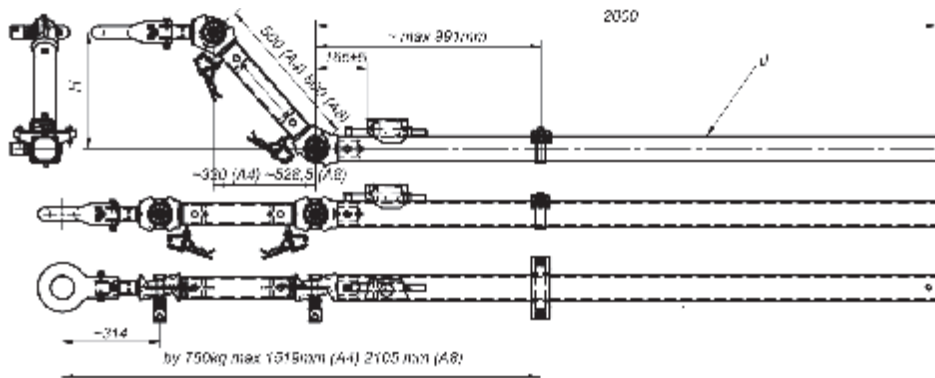


KDVV 7,5 adjustable height drawbar

| Type | Coupling | Adjustable height H (mm) | d (mm) | Art. number |
|-------------|----------|--------------------------|------------|-------------|
| KDVV 7,5 A4 | NATO 45 | 375 | 80x80x3 | 6G0020,100 |
| KDVV 7,5 A4 | DIN 45 | 375 | 80x80x3 | 6G0020,110 |
| KDVV 7,5 A4 | KK14 BN3 | 375 | 80x80x3 | 6G0020,120 |
| KDVV 7,5 A8 | NATO 45 | 600 | 6G0021,100 | |
| KDVV 7,5 A8 | DIN 45 | 600 | 80x80x4 | 6G0021,110 |
| KDVV 7,5 A8 | KK14 BN3 | 600 | 80x80x4 | 6G0021,120 |



Vertical load: 100 kg
GVWR: 750 kg
ECE number: 55R-01 1271





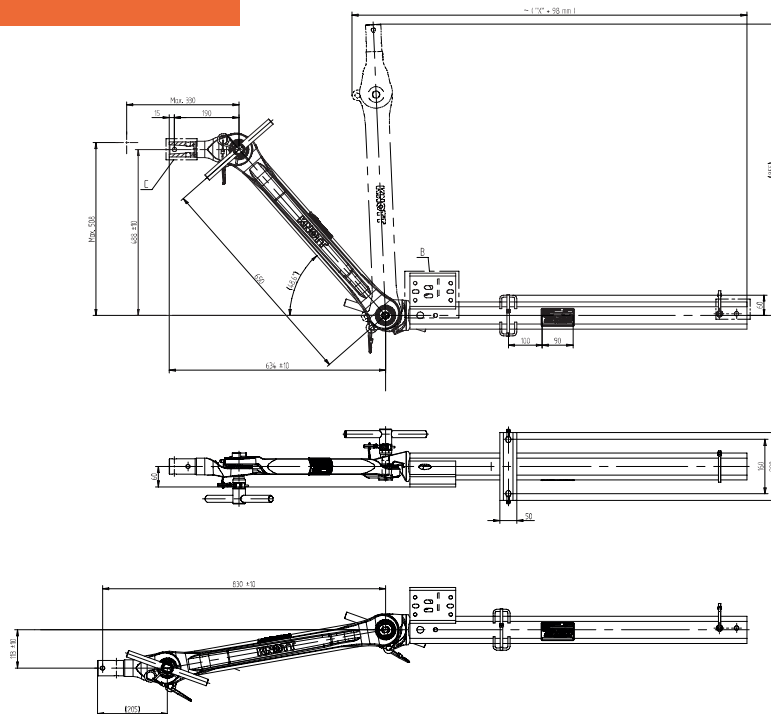
UNBRAKED DRAWBAR

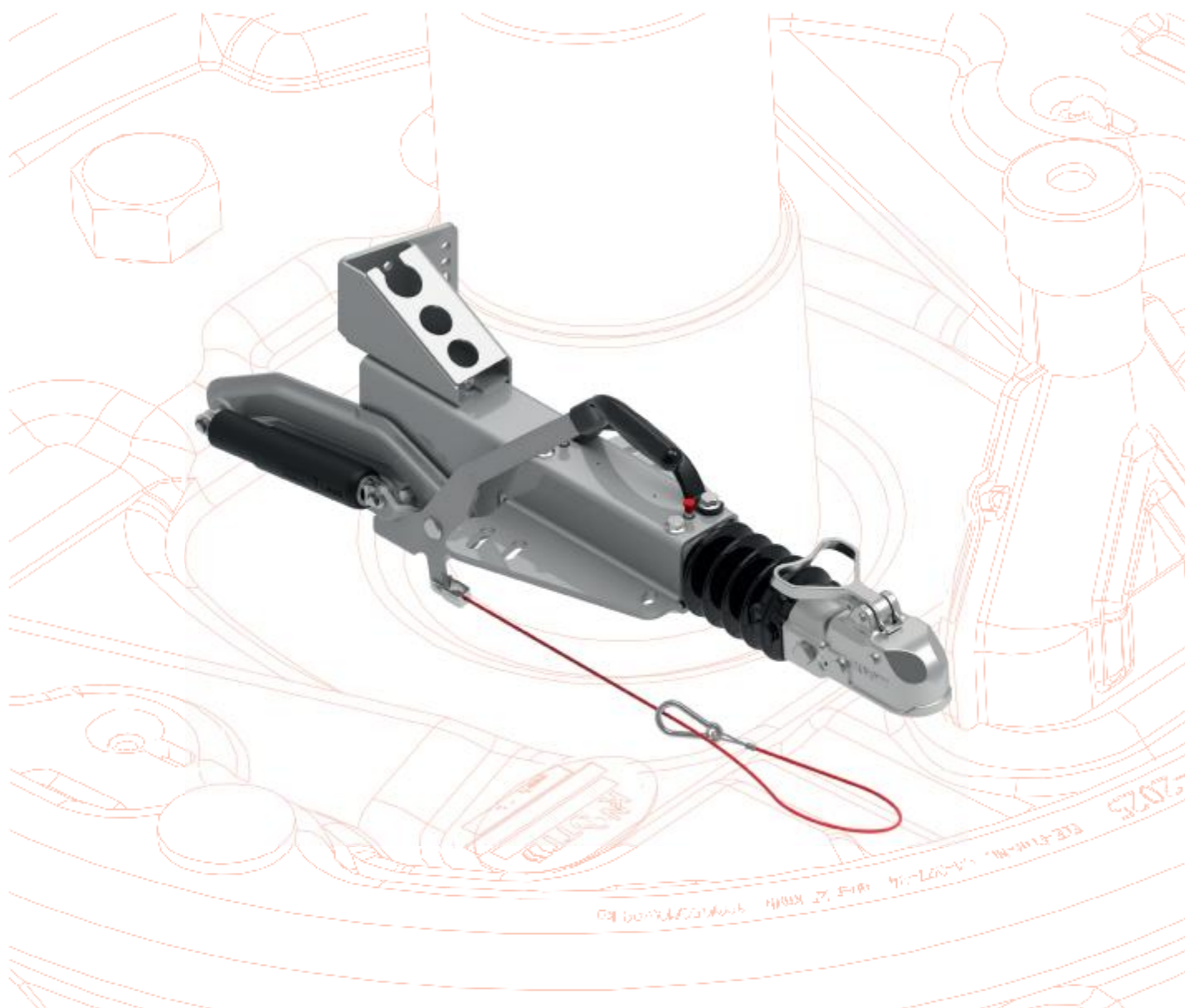
AHG 7,5 adjustable height drawbar

| Type | Coupling | Adjustable height H (mm) | d (mm) | Art. number |
|------------|----------|--------------------------|---------|-------------|
| AHG 7,5 A4 | no | 500 | 80x80x4 | 6G1352.001 |



Vertical load: 75 kg
GVWR: 750 kg
ECE-number: E7-55R-01 2102





OVERRUN DEVICE

www.autoflex.hu

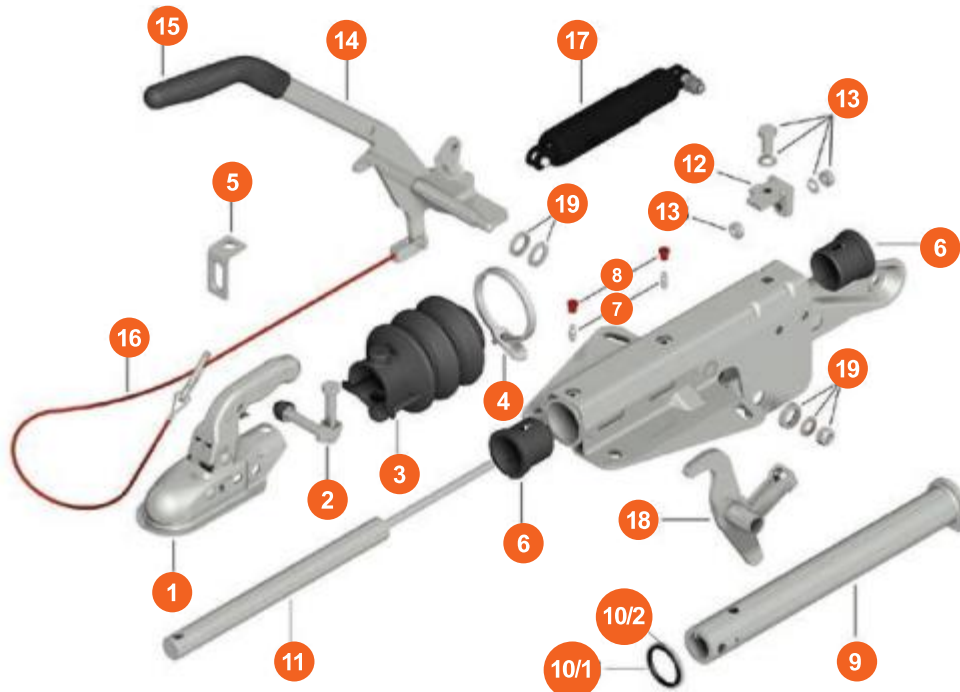




OVERRUN DEVICE

SPARE PARTS

for overrun coupling (KF 13-27)



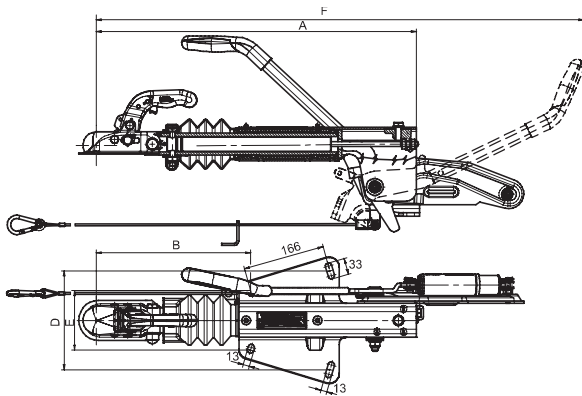
| N° | Description |
|------|-----------------------------------|
| 1 | Coupling head |
| 2 | Hexagon head bolt |
| 3 | Rubber bellows KF13-KF27 |
| 4 | Tie wrap |
| 5 | Bracket for breakaway cable |
| 6 | Guide bearing |
| 7 | Greasing nipple |
| 8 | Greasing nipple cap |
| 9 | Drawtube |
| 10/1 | Rubber stop ring |
| 10/2 | Support ring |
| 11 | Gas-filled shock absorber |
| 12 | Shock absorber bracket KF13-KF27 |
| 13 | Hexagon head bolt kit |
| 14 | Hand-brake assembly |
| 15 | Handgrip |
| 16 | Breakaway cable (complete) I=1200 |
| 17 | Handbrake energy store |
| 18 | Transmission lever, complete |
| 19 | Washer |
| 20 | Hexagon head bolt kit |





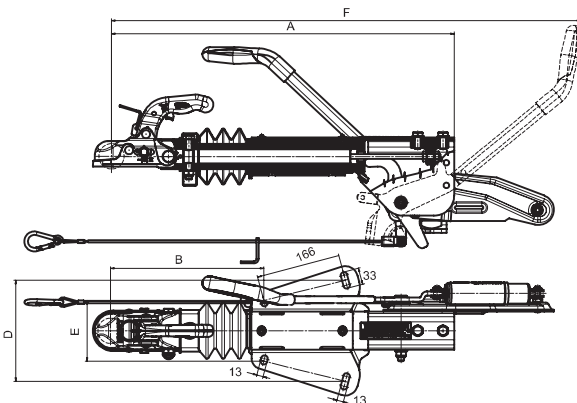
KF 7,5-20 overrun A-frame coupling

| Type | Coupling head | Vertical load 'S' (max.) | GVWR (kg) | A (mm) | B (mm) | D (mm) | E (mm) | F (mm) | ECE number | Art. number |
|----------|---------------|--------------------------|-----------|--------|--------|--------|--------|--------|-------------|-------------|
| KF 7,5 C | KK14 BN3 | 75 kg | 750 | 649 | 313 | 200 | 110 | 990 | 55R-01 2073 | 6J1356.502 |
| KF 13 C | KK14 BN3 | 100 kg | 1300 | 649 | 313 | 200 | 110 | 990 | 55R-01 2073 | 6J1060.502 |
| KF 20 A | K20 BN3 | 100 kg | 2000 | 649 | 313 | 200 | 110 | 990 | 55R-01 2073 | 202248.201 |



KF 27-30 overrun A-frame coupling

| Type | Coupling head | Vertical load 'S' (max.) | GVWR (kg) | A (mm) | B (mm) | D (mm) | E (mm) | F (mm) | ECE number | Art. number |
|----------|---------------|--------------------------|-----------|--------|--------|--------|---------|--------|-------------|-------------|
| KF 27 A1 | K27 AN3 | 150 kg | 2700 | 676 | 302 | 200 | 110/120 | 925 | 55R-01 2063 | 6J2200.004 |
| KF 30 C | K35 AN3 | 150 kg | 3000 | 682 | 313 | 200 | 110/120 | 946 | 55R-01 2066 | 205244.001 |





OVERRUN DEVICE

KFL 12-14 overrun A-frame coupling

| Type | Coupling head | Vertical load 'S' (max.) | GVWR (kg) | A (mm) | B (mm) | C (mm) | D (mm) | E (mm) | F (mm) | ECE number | Art. number |
|----------|---------------|--------------------------|-----------|--------|--------|--------|--------|---------|--------|-------------|-------------|
| KFL 12 C | KK14 BN3 | 100 kg | 450-750 | 588 | 288 | 130 | 158 | 100/110 | 804 | 55R-01 1590 | 204005.001 |
| KFL 12 A | KK14 BN3 | 100 kg | 750-1300 | 588 | 288 | 130 | 158 | 100/110 | 858 | 55R-01 1590 | 203595.001 |
| KFL 14 A | KK14 BN3 | 100 kg | 750-1400 | 588 | 288 | 166 | 200 | 100/120 | 810 | 55R-01 1590 | 205521.001 |
| KFL 14 A | KK14 BN3 | 100 kg | 750-1400 | 588 | 288 | 166 | 200 | 100/120 | 810 | 55R-01 1590 | 205800.001 |



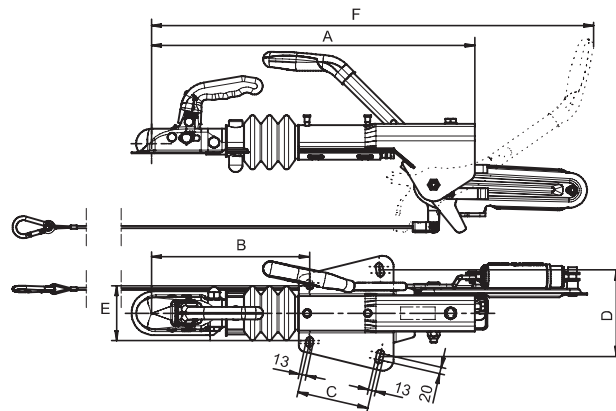
**KFL 12 A
KFL 12 C**



KFL 14 A



KFL 14 A



With bracket for jockey wheel

**Coupling head: KK14 BN3
Vertical load: 100 kg
ECE-number: 55R-01 1590
Model: GF**

The overrun device can be ordered also with DIN or with NATO eye.





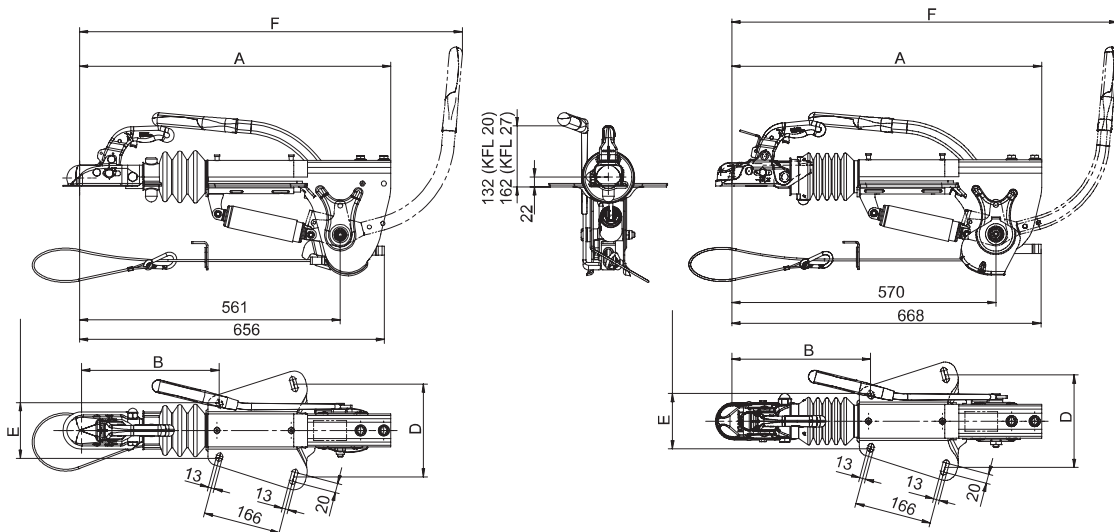
KFL 20-27 GFV overrun A-frame coupling

| Type | Coupling head | Vertical load 'S' (max.) | GVWR (kg) | A (mm) | B (mm) | D (mm) | E (mm) | F (mm) | ECE number | Art. number |
|----------|---------------|--------------------------|-----------|--------|--------|--------|---------|--------|-------------|-------------|
| KFL 20 A | K24 N3 | 100 kg | 2000 | 670 | 296 | 200 | 110/120 | 764 | 55R-01 1950 | 205179.001 |
| KFL 20 B | K24 N3 | 100 kg | 2400 | 670 | 296 | 200 | 110/120 | 824 | 55R-01 1950 | 206174.001 |
| KFL 27 A | K27 AN3 | 150 kg | 2700 | 669 | 299 | 200 | 110/120 | 833 | 55R-01 2116 | 206606.001 |



With bracket for jockey wheel

The overrun device can be ordered also with DIN or with NATO eye.



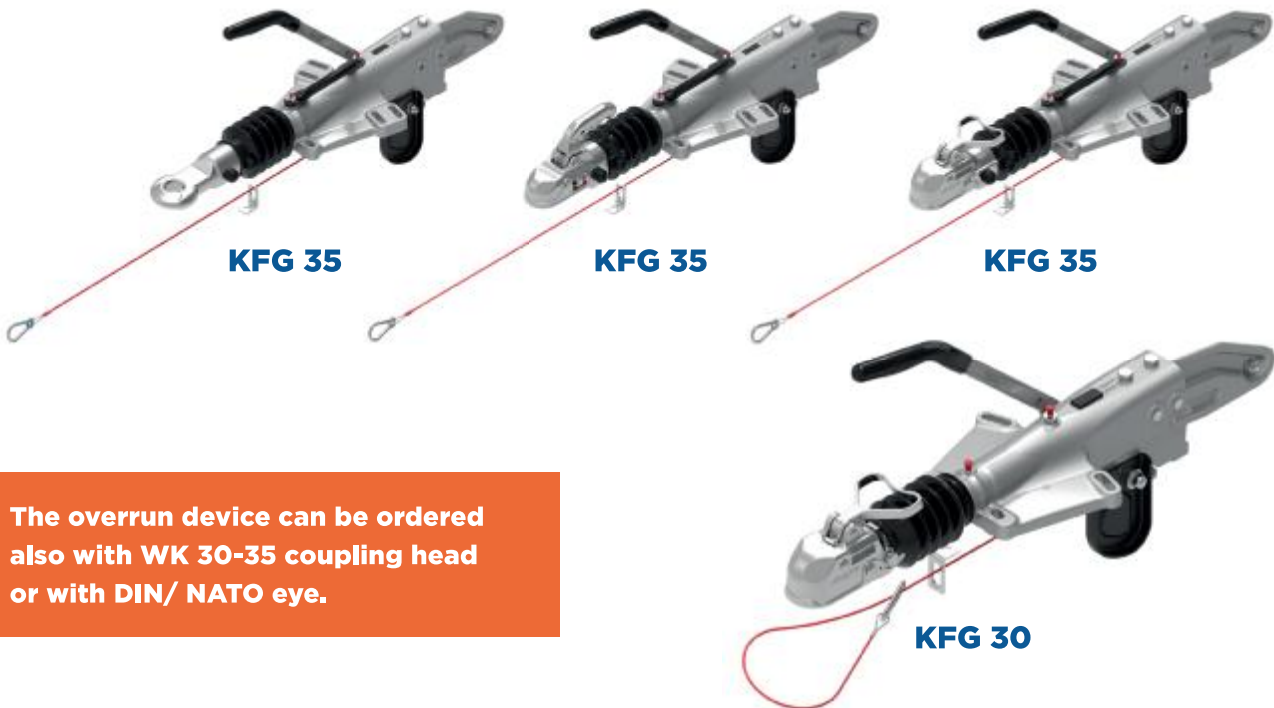


OVERRUN DEVICE

KFG 30-35 GF overrun A-frame coupling

| Type | Coupling head | Vertical load 'S' (max.)* | GVWR (kg) | A (mm) | B (mm) | D1 (mm) | D2 (mm) | E (mm) | F (mm) | ECE number | Art. number |
|---------|---------------|---------------------------|-----------|--------|--------|---------|---------|---------|--------|-------------|-------------|
| KFG 30A | K35 AN3 | 300 kg | 3000 | 673 | 300 | 181 | 239 | 120 | 988 | 55R-01 0646 | 202350.004 |
| KFG 35D | K35 CN3 | 350 kg | 3500 | 738 | 326 | 203 | 220 | 120/140 | 1052 | 55R-01 0647 | 6J1599.402 |
| KFG 35D | DIN eye | 350 kg | 3500 | 738 | 326 | 203 | 220 | 120/140 | 1052 | 55R-01 0647 | 6J1599.404 |
| KFG 35D | NATO eye | 350 kg | 3500 | 738 | 326 | 203 | 220 | 120/140 | 1052 | 55R-01 0647 | 6J1599.405 |

* Vertical load can vary depending on coupling head/ towing eye.



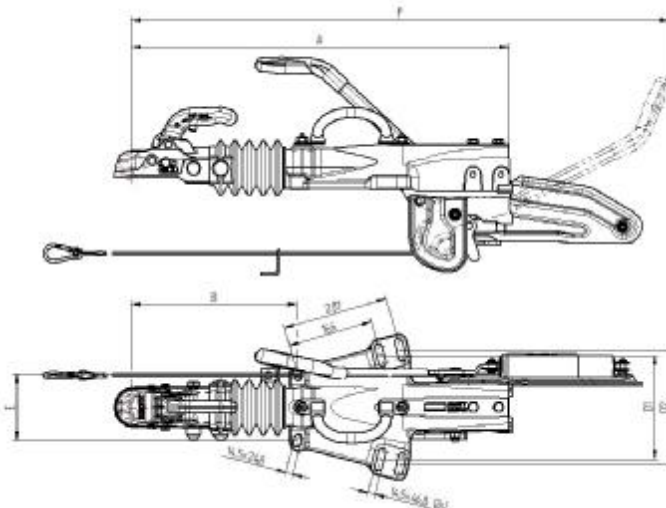
KFG 35

KFG 35

KFG 35

KFG 30

The overrun device can be ordered also with WK 30-35 coupling head or with DIN/ NATO eye.

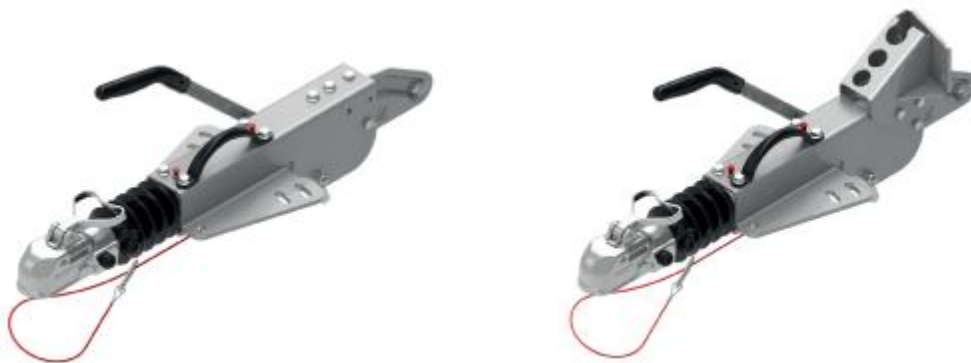




KFGL 35 overrun A-frame coupling

| Type | Coupling head | Vertical load 'S' (max.)* | GVWR (kg) | A (mm) | B (mm) | D1 (mm) | D2 (mm) | E (mm) | F (mm) | ECE number | Art. number |
|-------------|---------------|---------------------------|-----------|--------|--------|---------|---------|---------|--------|-------------|-------------|
| KFGL 35 AGF | K35 CN3 | 350 kg | 3500 | 774 | 324 | 206 | 225 | 120/140 | 1056 | 55R-01 1730 | 204530.001 |
| KFGL 35 AGF | K35 CN3 | 350 kg | 3500 | 774 | 324 | 206 | 225 | 120/140 | 1056 | 55R-01 1730 | 204532.001 |

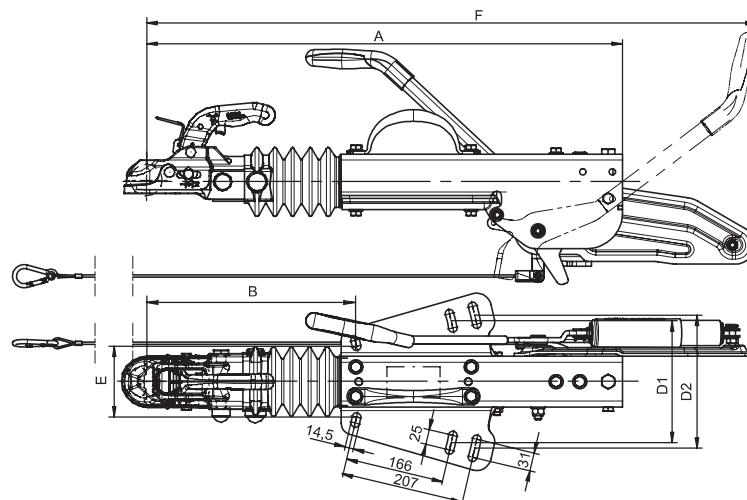
* Vertical load can vary depending on coupling head/ towing eye.



Coupling head: K35 CN3
Vertical load: 350 kg
GVWR: 3500 kg
ECE number: 55R-01 1730

With bracket for jockey wheel

The overrun device can be ordered also with DIN or with NATO eye.

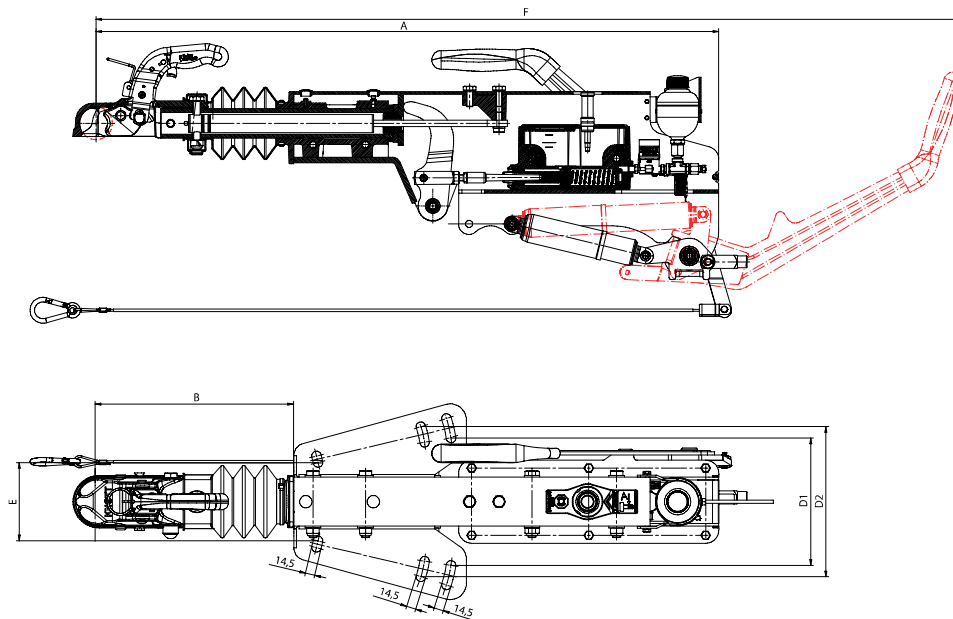




OVERRUN DEVICE

AHR 18 overrun A-frame hydraulic coupling

| Type | Coupling head | Vertical load 'S' (max.) | GVWR (kg) | A (mm) | B (mm) | D1 (mm) | D2 (mm) | E (mm) | F (mm) | ECE number | Art. number |
|--------|---------------|--------------------------|-----------|--------|--------|---------|---------|---------|--------|-------------|-------------|
| AHR 18 | K27 BN3 | 150 kg | 1800 | 848 | 339 | 206 | 225 | 120/140 | 1325 | 55R-01 1217 | 6J2732.001 |



OVERRUN DEVICE

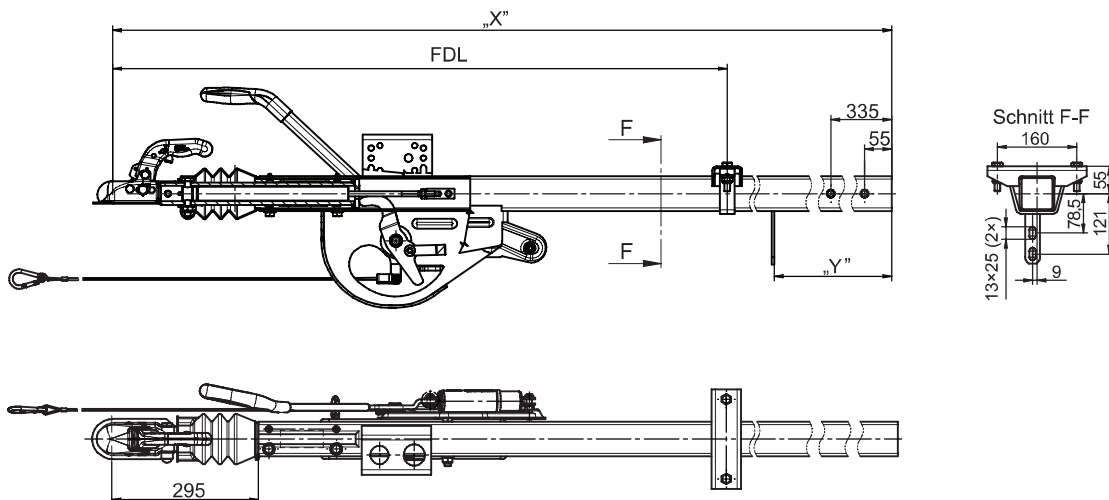


KV 13-18 overrun in-line coupling-square tube

| Type | Model | Coupling head | Vertical load (max.) | X (mm) | Y (mm) | D (mm) | ECE number | Art. number |
|----------|-------|---------------|----------------------|--------|--------|---------|-------------|-------------|
| KV 13 C2 | GF | KK14 BN3 | 100 kg | 2520 | 1130 | 70x70x4 | 55R-01 0766 | 6J2439.001 |
| KV 18 C | GF | K20 BN3 | 100 kg | 2600 | 1130 | 70x70x5 | 55R-01 0553 | 6J2442.001 |

| Type | FDL at GA | GVWR (kg) |
|----------|------------------|-----------|
| KV 13 C2 | 1400 kg/ 1235 mm | 1300 |
| KV 18 C | 2000 kg/ 1044 mm | 2000 |

Length 'X' can be specified according to the requirements. The overrun device can be ordered also with DIN or with NATO eye.

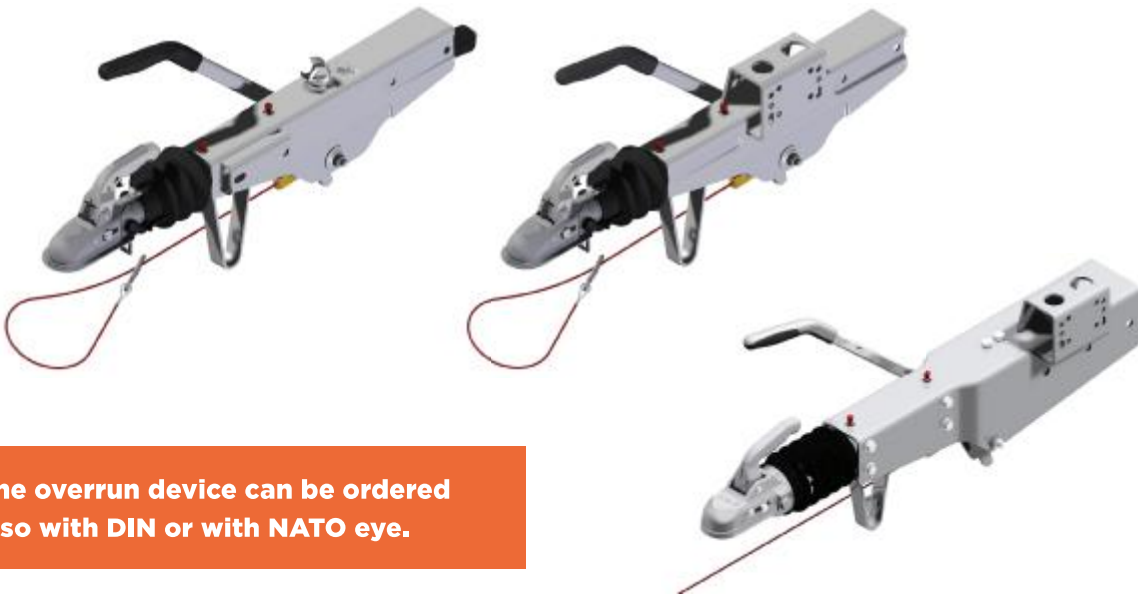




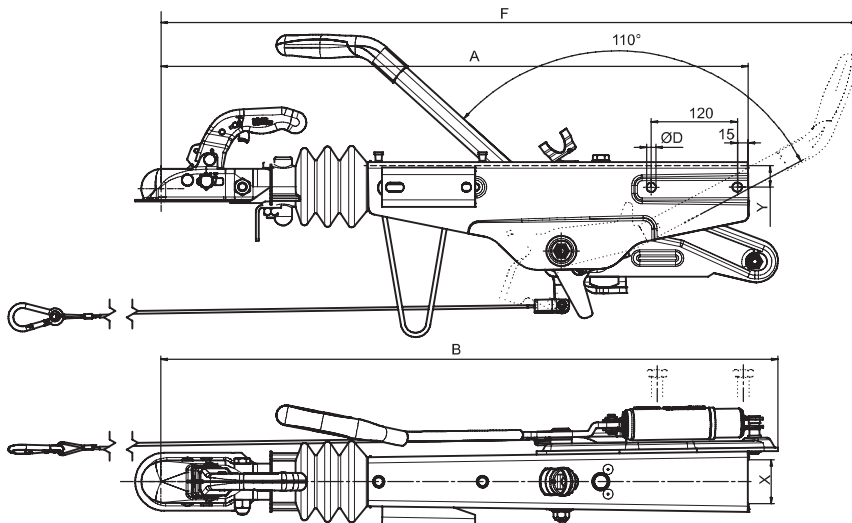
OVERRUN DEVICE

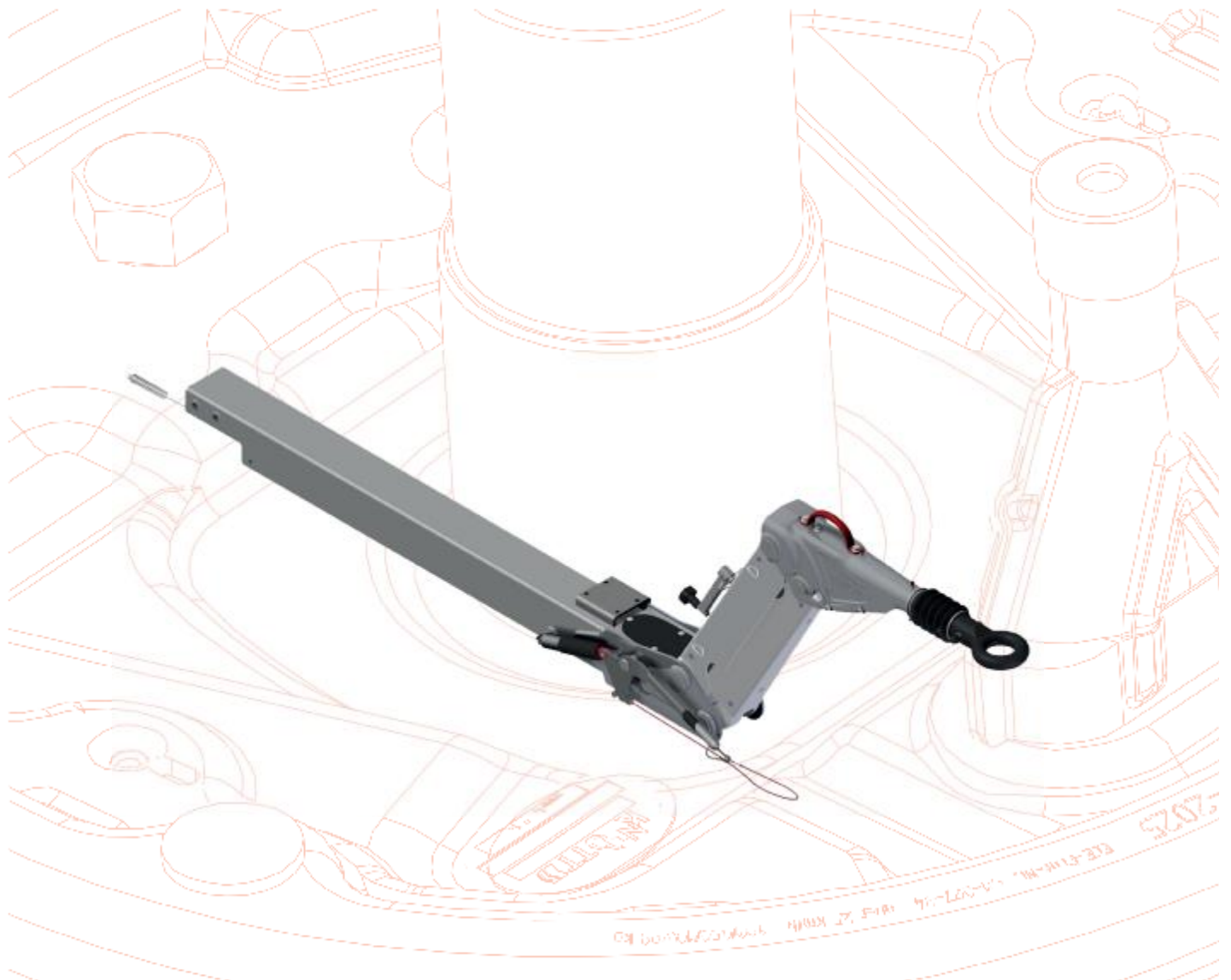
KRV 7,5-35 overrun in-line coupling-square tube

| Type | Coupling head | Vertical load 'S' (max.) | GVWR (kg) | A (mm) | B (mm) | D (mm) | F (mm) | X (mm) | ECE number | Art. number |
|------------|---------------|--------------------------|-----------|--------|--------|--------|--------|--------|-------------|-------------|
| KRV 13 CGF | KK14 BN3 | 75 kg | 750 | 819 | 861 | 13 | 972 | 70 | 55R-01 1010 | 6J3061.001 |
| KRV 13 CGF | KK14 BN3 | 100 kg | 1300 | 819 | 861 | 13 | 972 | 60 | 55R-01 1010 | 6J3061.061 |
| KRV 17 CGF | K20 BN3 | 100 kg | 1700 | 819 | 861 | 13 | 972 | 70 | 55R-01 1010 | 6J3065.001 |
| KRV 20 AGF | K20 BN3 | 100 kg | 2000 | 836 | 873 | 16,5 | 984 | 100 | 55R-01 1018 | 209264.001 |
| KRV 30 BGF | K35 AN3 | 150 kg | 3000 | 853 | 842 | 16,5 | 913 | 100 | 55R-01 1052 | 203579.001 |
| KRV 35 AGF | K35 CN3 | 350 kg | 3500 | 988 | 1010 | 16,5 | 1037 | 120 | 55R-01 1588 | 203995.001 |



The overrun device can be ordered also with DIN or with NATO eye.





ADJUSTABLE HEIGHT COUPLING

www.autoflex.hu



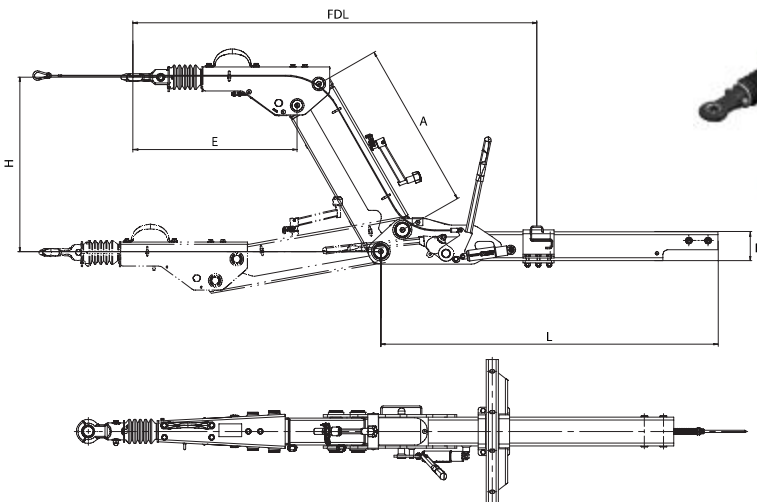


ADJUSTABLE HEIGHT COUPLING

KHD

| Type | Vertical load 'S' (max.)* (kg) | GVWR (kg) | A (mm) | B (mm) | D (mm) | E (mm) | H (mm) | ∅ | FDL (G max. kg) | Wheel brake | ECE number | Art. number |
|-------|--------------------------------|-----------|--------|-----------|--------|--------|--------|----|-----------------|------------------|-------------|-------------|
| KHD9 | 100 kg | 500-900 | 500 | 80x120x4 | 160 | 609 | 520 | 13 | 2500 | 200x50 250x40 | 55R-012 090 | 708500.060 |
| KHD15 | 100 kg | 800-1600 | 700 | 90x90x6,3 | 160 | 641 | 704 | 15 | 2075 | 200x50 250x40 | 55R-01 1623 | 707960.006 |
| KHD20 | 150 kg | 1600-2000 | 700 | 120x120x4 | 180 | 641 | 732 | 15 | 2138 | 200x40 250x50 | 55R-01 2781 | 709600.006 |
| KHD25 | 150 kg | 1600-2500 | 700 | 120x120x6 | 180 | 683 | 725 | 15 | 2583 | 300x60 | 55R-01 1690 | 709383G168 |
| KHD25 | 150 kg | 1600-2500 | 700 | 120x120x6 | 180 | 683 | 725 | 15 | 2583 | 200x50 250x40 | 55R-01 1690 | 709383G169 |
| KHD27 | 150 kg | 1600-2700 | 700 | 150x150x5 | 210 | 672 | 733 | 15 | 3550 | 300x60 | 55R-01 1549 | 706140.060 |
| KHD27 | 150 kg | 1600-2700 | 700 | 150x150x5 | 210 | 672 | 733 | 15 | 3550 | 200x50 250x40 | 55R-01 1549 | 706140.132 |
| KHD35 | 350 kg | 2500-3500 | 700 | 150x150x5 | 210 | 701 | 727 | 15 | 2511 | 300x60 | 55R-01 1548 | 706914.331 |
| KHD35 | 350 kg | 2500-3500 | 700 | 150x150x5 | 210 | 701 | 727 | 15 | 2511 | 200x50 250x40 | 55R-01 1548 | 706914.367 |

* Vertical load can vary depending on coupling head/ towing eye.



Vert. load:
KHD 9-15: 100 kg
KHD 20-27: 150 kg
KHD 35: 350 kg

A (mm):
KHD 9: 500
KHD 15-35: 700
L (mm): 2000



ADJUSTABLE HEIGHT COUPLING



AHV

| Type | H1 (mm) | H2 (mm) | S (mm) max. | V (mm) | L1 (mm) max. | ECE number | B (mm) |
|-----------|---------|---------|-------------|--------|--------------|-------------|-----------|
| AHV 16 LS | 535 | 75 | 2182 | 500 | 1150 | 55R-01 1472 | 90x90x6 |
| AHV 20 S | 535 | 73 | 2116 | 500 | 1125 | 55R-01 1473 | 100x100x8 |
| AHV 25 LS | 485 | 117 | 2316 | 400 | 1400 | 55R-01 1474 | 100x100x8 |
| AHV 35 S | 485 | 117 | 1840 | 400 | 925 | 55R-01 1475 | 90x160x6 |

AHV 16 LS

| Type | ECE number | Art. number |
|---------|-------------|-------------|
| K20 BN3 | 55R-01 1472 | 6G5375S120 |
| DIN 45 | 55R-01 1472 | 6G5375S110 |
| NATO 45 | 55R-01 1472 | 6G5375S101 |

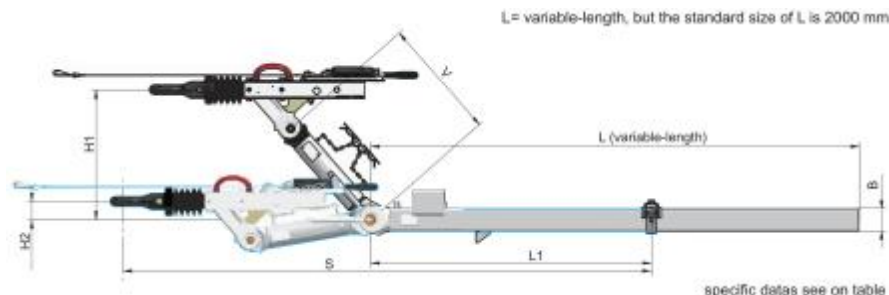
Vertical load: 100 kg
Load capacity: 1100-1600 kg
ECE number: 55R-01 1472
Drawing number: 6G5375S



AHV 20 S

| Type | ECE number | Art. number |
|---------|-------------|-------------|
| K27 BN3 | 55R-01 1473 | 6G5200S120 |
| DIN 45 | 55R-01 1473 | 6G5200S110 |
| NATO 45 | 55R-01 1473 | 6G5200S101 |

Vertical load: 100 kg
Load capacity: 1100-2000 kg
ECE number: 55R-01 1473
Drawing number: 6G5200S





ADJUSTABLE HEIGHT COUPLING

AHV 25 LS

| Towing element | Art. number |
|----------------|-------------|
| K35 CN3 | 6G5372S120 |
| DIN 60 | 6G5372S110 |
| NATO 60 | 6G5372S101 |

Vertical load: 150 kg
Load capacity: 2000-2500 kg
ECE-number: 55R-01 1474
Drawing number: 6G5372S



AHV 35 S

| Towing element | Middle part | Art. number |
|----------------|-------------|-------------|
| K35 CN3 | 400 | 6G5027S120 |
| DIN 60 | 400 | 6G5027S110 |

Vertical load: 150 kg
Load capacity: 2700-3500 kg
ECE-number: 55R-01 1475
Drawing number: 6G5027S



ADJUSTABLE HEIGHT COUPLING

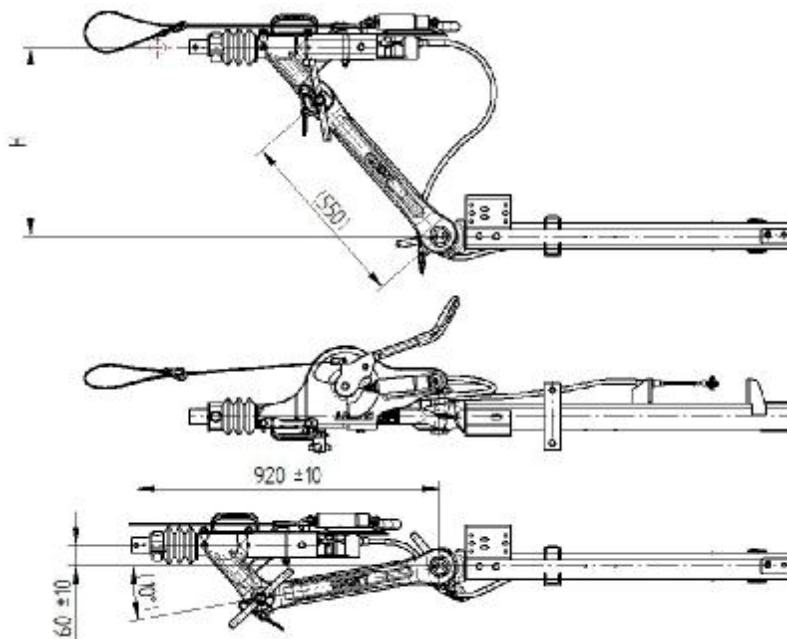


AHG 8,5

| Type | Coupling | Adjustable height H (mm) | d (mm) | Art. number |
|------------|----------|--------------------------|---------|-------------|
| AHG 8,5 A6 | no | 650 | 80x80x5 | 6G1350.001 |



Vertical load: 85 kg
GVWR: 850 kg
ECE number: E7-55R-01 2103



LEVELING SYSTEM

Art. number: 424908

1) Security Fund:

- Extra large contact surface
- Especially for soft surfaces
- Easy to handle
- Can be retrofitted

2) Sliding rail:

- For direct installation on the floor
- Interchangeable

3) Motor:

- For KLS levelling system
- Easy to retrofit
- Can be mounted without machining



Art. number: 211727.001

Alignment sensor



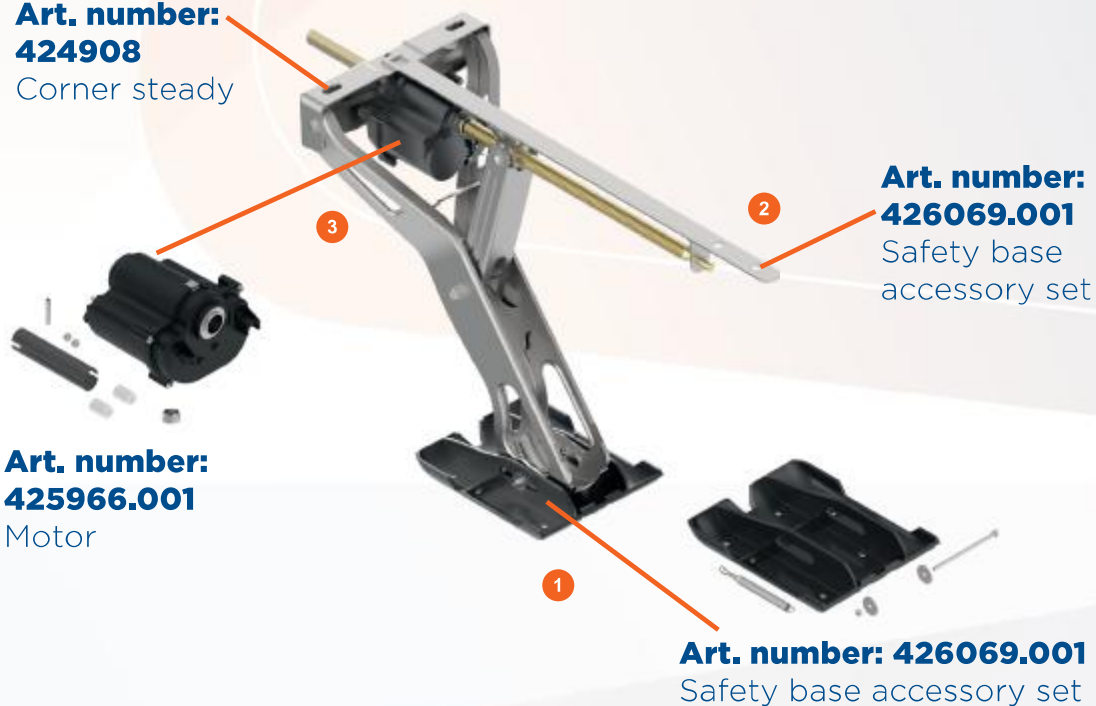
Art. number: 211321.001/002

Cable set single or tandem axle

Art. number:

424908

Corner steady



Art. number:

425966.001

Motor

Art. number:

426069.001

Safety base
accessory set

Art. number: 426069.001

Safety base accessory set

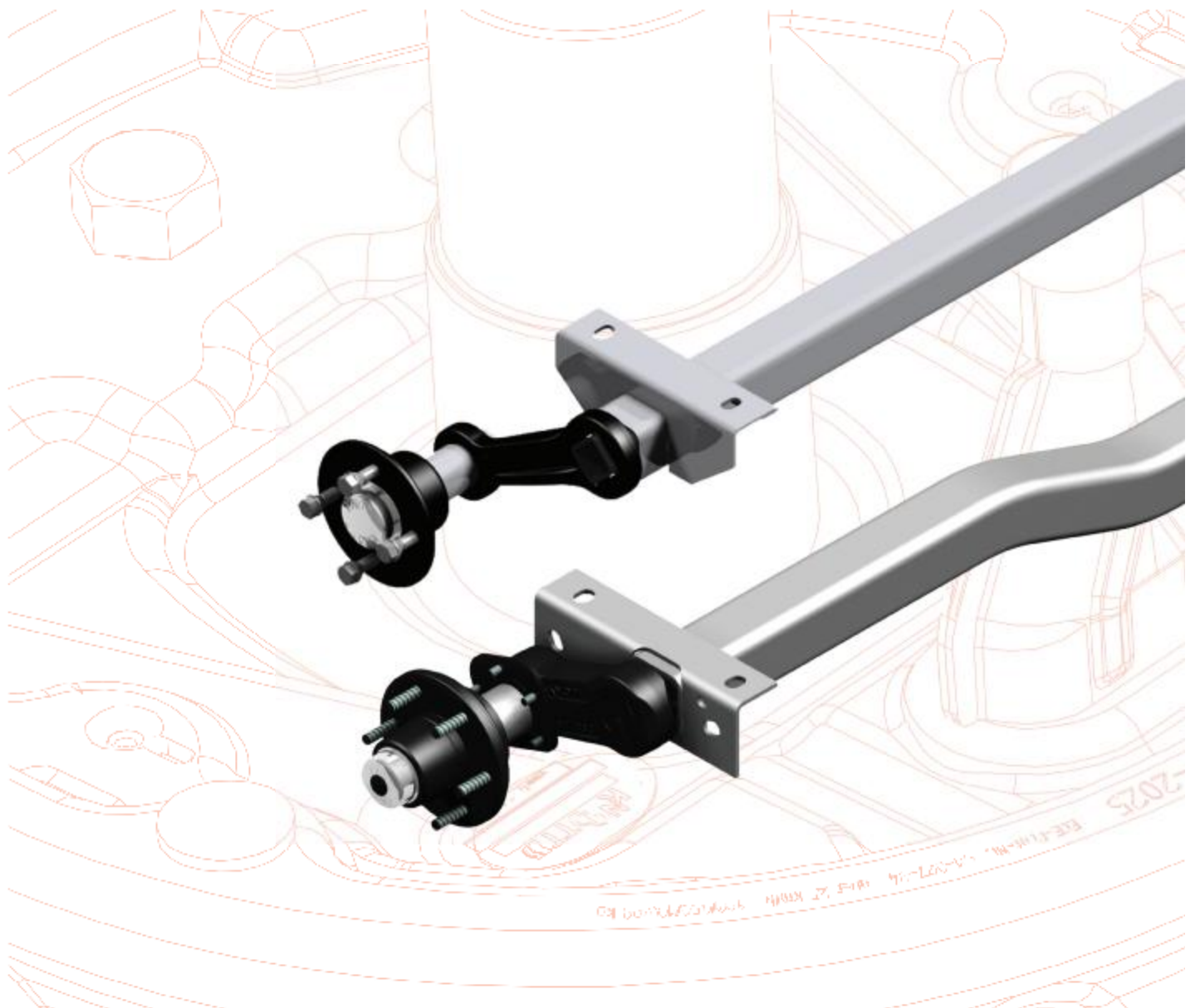
Installation and operating instructions see KNOTT-APP:
Menu item - Documents

APP STORE



GOOGLE PLAY





UNBRAKED AXLES

www.autoflex.hu





UNBRAKED AXLES

VARIETY OF SWING ARMS

Rolled steel swing arm
with square tube axle stub

Axle load max.: 500 kg



Bent steel swing arm with
square tube axle stub

Axle load max.: 750 kg



Pressed steel swing arm
with square tube axle stub

Axle load max.: 1800 kg



Pressed steel swing arm
with square bar axle stub

Axle load max.: 1800 kg



Forged steel swing arm
with square bar axle stub

Axle load max.: 2500 kg



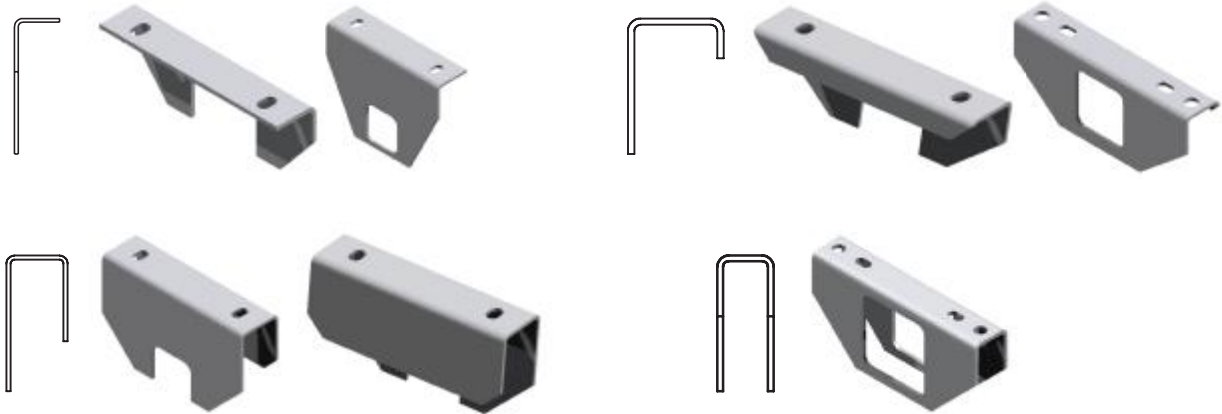
Forged steel swing arm
with square bar axle stub

Axle load max.: 2500 kg





VARIETY OF MOUNTING BRACKET STYLES



These brackets are just a part of our complete range.

LONG MOUNTING BRACKETS

for tandem axle trailers



for boat trailers



Material: steel plate
Surface treatment: hot-dip galvanization
Use: mounting the axle to the chassis
Mounting possibility to chassis with bolt

For more types please contact our sales person!





UNBRAKED AXLES

HUBS

All of our wheel hubs are also available in water resistant version.

- surface treatment: e-coating
- bearing: compact roller bearing or tapered roller bearing



The advantages of compact roller bearings over taper roller bearings and ball bearings:

- these bearings can accommodate axial loads in both directions, as well as radial loads
- available in stainless & waterproof version, or in waterproof version only
- sealed unit which is highly dirt resistant
- maintenance free

Equipped with sealed - for life - bearing to ensure extended usage time.

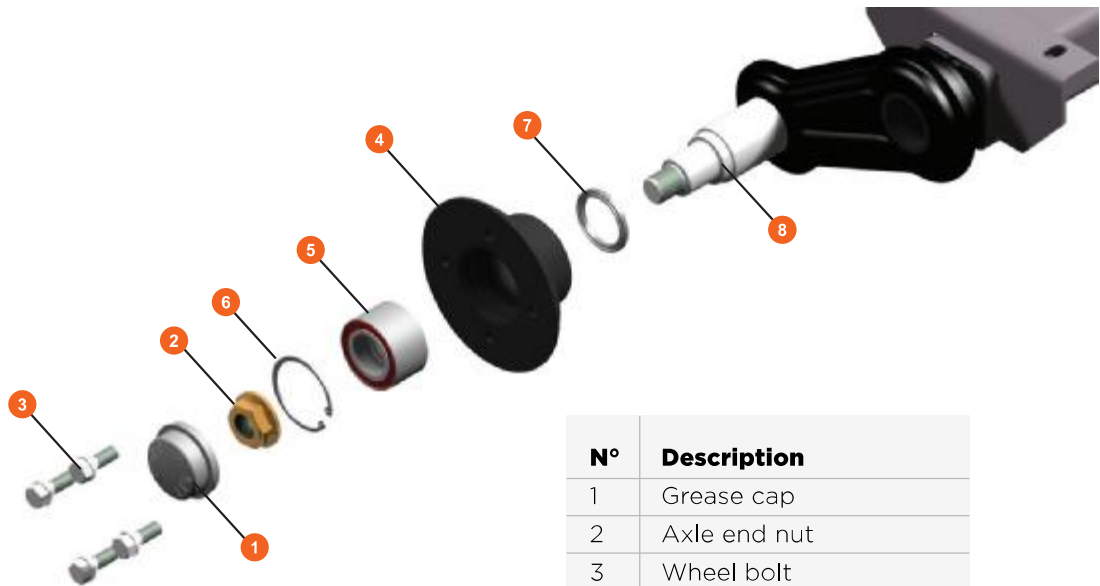
Oil lubricated hub

Advantages:

- water resistant
- transparent dustcap
- easy to refill



Spare parts for non braked rubber suspension axles



| N° | Description |
|----|---------------------------|
| 1 | Grease cap |
| 2 | Axle end nut |
| 3 | Wheel bolt |
| 4 | Wheel hub |
| 5 | Wheel bearing |
| 6 | Circlip |
| 7 | Seal for lifetime bearing |
| 8 | Stub cpl. welded |





VARIETY OF UNBRAKED WHEEL HUBS FNK 22-23

| Type | Offset (mm) | Drawing number |
|--------|-------------|----------------|
| FNK 22 | 0-45 | 6A7741 |
| FNK 23 | 0-45 | 6A7861 |

Axle load capacity up to 750 kg

| Wheel connection | Hub |
|------------------|-----------------------|
| 98x4 | FNK 22, FNK 12 |
| 100x4 | FNK 22, FNK 12 |
| 100x5 | FNK 12 |
| 108x4 | FNK 22, FNK 12 |
| 110x4 | FNK 12, FNK 6 |
| 110x5 | FNK 12, FNK 6 |
| 112x5 | FNK 12, FNK 6 |
| 112x3 | FNK 12, FNK 6 |
| 114,3x5 | FNK 12, FNK 6 |
| 115x4 | FNK 12, FNK 6 |
| 120x5 | FNK 12, FNK 6 |
| 120x6 | FNK 12, FNK 6 |
| 130x4 | FNK 23, FNK 13, FNK 8 |
| 130x5 | FNK 13, FNK 8 |
| 130x6 | FNK 13, FNK 8 |
| 139,7x4 | FNK 14, FNK 8 |
| 139,7x5 | FNK 14, FNK 8 |
| 139,7x6 | FNK 14, FNK 8 |
| 140x5 | FNK 14, FNK 8 |
| 140x6 | FNK 14, FNK 8 |
| 150x3 | FNK 14, FNK 8 |
| 150x5 | FNK 14, FNK 8 |
| 152,4x5 | FNK 14, FNK 8 |
| 160x5 | FNK 14, FNK 8 |
| 165,1x5 | FNK 14, FNK 8 |
| 170x5 | FNK 14, FNK 8 |



FNK 22



FNK 23

All wheel hubs are available in water resistant version too.





UNBRAKED AXLES

FNK 12-13-14

| Type | Offset (mm) | Drawing number |
|--------|-------------|----------------|
| FNK 12 | 25-35 | 6B1302 |
| FNK 13 | 25-35 | 6B1303 |
| FNK 14 | 25-35 | 6B1383 |



FNK 12



FNK 13



FNK 14

Axle load capacity up to 1350 kg

FNK 6-8

| Type | Offset (mm) | Drawing number |
|---------|-------------------------------------|----------------|
| FNK 6 | up to 1500kg 0-35 over 1500kg 25-35 | 6B0724 |
| FNK 6 W | up to 1500kg 0-35 over 1500kg 25-35 | 6B0724 |
| FNK 8 | up to 1500kg 0-35 over 1500kg 25-35 | 6B0800 |
| FNK 8 W | up to 1500kg 0-35 over 1500kg 25-35 | 6B0800 |



FNK 6



FNK 8

Axle load capacity up to 1800 kg





VG UNBRAKED RUBBER SUSPENSION AXLE

| Type | Load capacity | c (mm) | b (mm) | PCD (mm) | Offset (mm) | Drawing number |
|-------------|---------------|--------|--------|----------|-------------|----------------|
| VG 7 L | 750 kg | 1450 | 1000 | Ø100x4 | 0-45 | 6A8712.001 |
| VG 8-10 M | 1050 kg | 1450 | 1000 | Ø100x4 | 0-45 | 6AA013.001 |
| VG 10-13 M | 1350 kg | 1450 | 1000 | Ø100x4 | 26-35 | 6AA028.001 |
| VG 14-18 MV | 1850 kg | 1450 | 1000 | Ø112x5 | 26-35 | 6AA304.005 |

Product can be used for:

- Jet Skis
- snow-mobiles
- dog trailers
- utility trailers such as generators
- boats
- utility vehicles
- horse trailers

Standard surface treatment:

- hot-dip galvanization

Load capacity:

- up to 1350 kg

Bearing type:

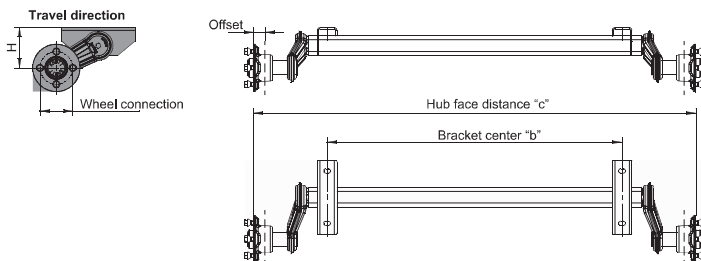
- lifetime compact ball bearing
- taper roller bearing

The product package includes:

- rubber torsion axle and type plate
- hub
- swing arm

If you are interested in our product, please give the following parameters to our sales person to help you choose the best product suited to your needs:

- H, c, b size
- load capacity
- wheel connection
- offset



Axle load capacity up to 1350 kg





UNBRAKED AXLES

UNBRAKED RUBBER SUSPENSION BENT AXLE

| Coating method | Symbol | Salt spray testing result |
|--------------------------------|--------|---------------------------|
| Powder coating | P | 300 h |
| Galvanization | G | >500 h |
| Galvanization & powder coating | G&P | 700 h |
| E-coating | E | >800 h |
| Hot-dip galvanization | HG | >1000 h |
| E-coating & powder coating | E&P | >1000 h |

Product can be used for:

- boat trailers

Standard surface treatment:

- hot-dip galvanization

Load capacity:

- 350 kg to 800 kg

Bearing type:

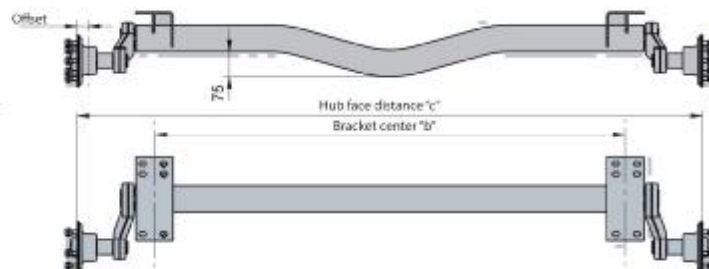
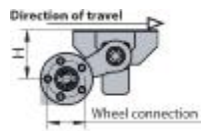
- lifetime compact ball bearing
- taper roller bearing

Advantages:

- the new design allows an easier transportation of boats and other vehicles
- the lower centre of gravity makes it more stable

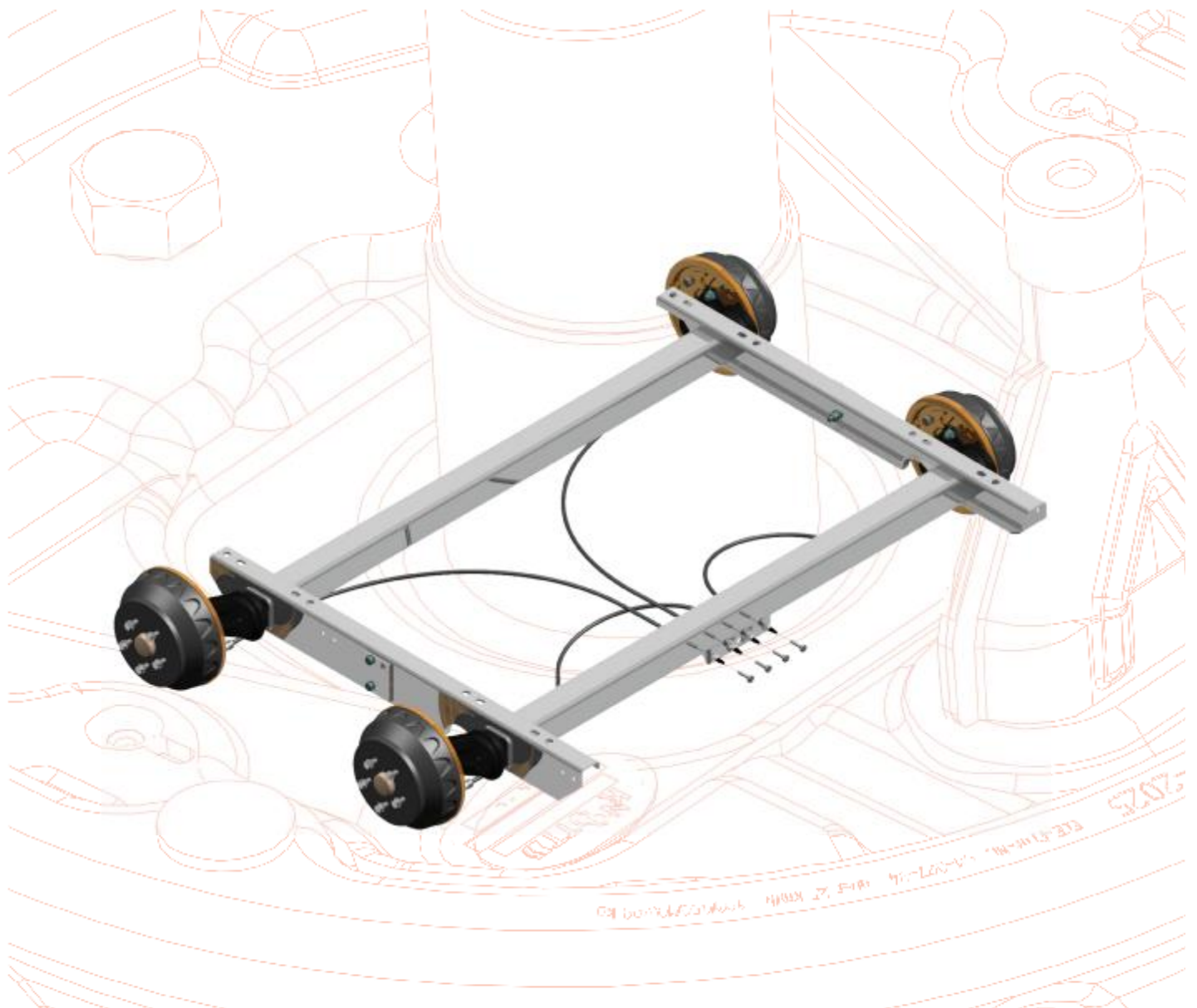
If you are interested in our product, please give the following parameters to our sales person to help you choose the best type suited to your needs:

- H, c, b size
- load capacity
- wheel connection
- offset



Axle load capacity up to 800 kg





BRAKED AXLES

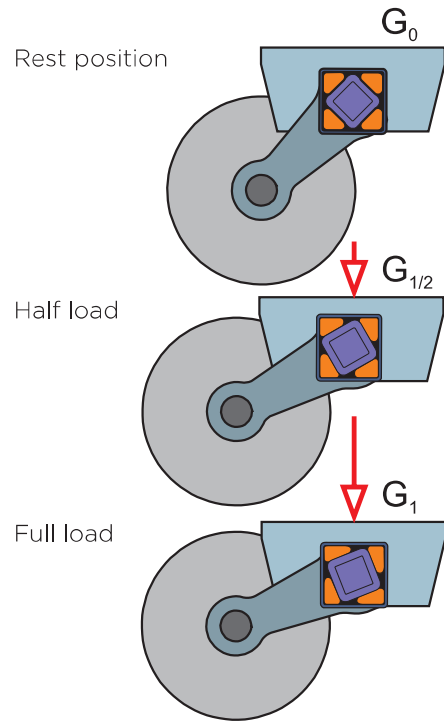
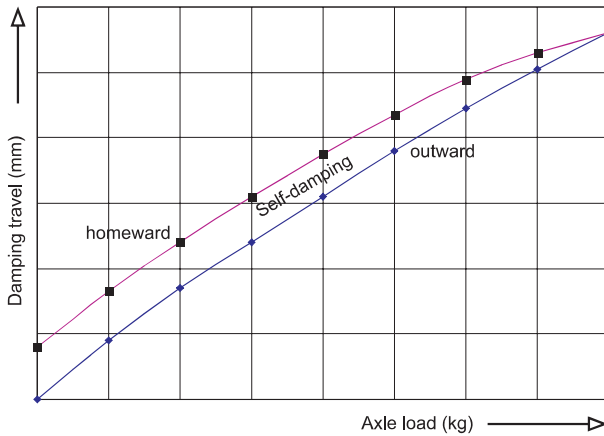
www.autoflex.hu





EUROPEAN QUALITY TRAILER AXLES

Rubber torsion axle suspension diagram



Advantages of the 4 pieces rubber torsion axle:

- correct guideline
- stable underpinning
- inner self-damping
- precisely adjustable spring power

Suspension systems comparison

| Type | 4 pieces rubber torsion axle | Spiral spring | Solid axle with leaf spring | Steel torsion axle | Rubber torsion axle |
|-----------------------|---|--|--|--|---|
| Advantages | - easy mounting - correct guideline - stable underpinning - inner self-damping | maximum suspension comfort | - less temperature dependent - easy mounting - big load capacity | - less temperature dependent - easy mounting - big load capacity | - good suspension comfort - precise handling - maintenance free |
| Contains | - square tube - inner tube - 4 rubber cords | spiral spring suspension | leaf spring | axle | axle |
| Axle type | rubber torsion axle | no axle | rigid axle | steel torsion axle | rubber torsion axle |
| Shock absorber | possible, but not necessary | yes | yes | possible, but not necessary | possible, but not necessary |
| Usability | for all kinds of trailers | for sensible goods and animal transportation | in harsh environments | in harsh environments, even for sensible goods | for sensible and valuable goods and animal transportation |





VGB braked axle

| Type | Load capacity | c (mm) | b (mm) | PCD (mm) | Offset (mm) | Art. number |
|-------------|---------------|--------|--------|----------|-------------|-------------|
| VGB 7-10 M | 1050 kg | 1550 | 1100 | Ø 100x4 | 0-45 | 6A9627.015 |
| VGB 10-13 M | 1350 kg | 1550 | 1100 | Ø 112x5 | 26-35 | 6A9627.018 |
| VGB 15 MV | 1500 kg | 1470 | 1000 | Ø 112x5 | 0-45 | 6AA014.001 |
| VGB 18 MV | 1850 kg | 1470 | 1000 | Ø 112x5 | 26-35 | 6AA255.001 |



VGB braked axle with disc brake

| Type | Load capacity | c (mm) | b (mm) | PCD (mm) | Offset (mm) | Art. number |
|-----------|---------------|--------|--------|-----------|-------------|-------------|
| VGB 13 M | 1350 kg | 2250 | 1800 | Ø 112x5 | 25-35 | 6AE363.001 |
| VGB 18 MV | 1800 kg | 2070 | 1600 | Ø 112x5 | 25-35 | 6AE490.001 |
| VGB 37 MV | 3700 kg | 2280 | 1700 | Ø 165,1x6 | 25-35 | 6AE723.001 |





AXLE HUB CAP

Introducing our new type of axle hub cap

A characteristic feature of our products is to adapt them to our customer's constantly changing needs, whilst we offer innovative solutions for their increased comfort and safety.



The caps are provided with a groove which allows the insertion of a wheel reflector improving visibility at night.

It also worth mentioning that the caps are:

- zinc plated and resistant to weather conditions
- an effective thread shield
- available in two sizes: Ø 52 mm and Ø 64 mm

| Axle hub cap size | Art. number |
|--------------------------|--------------------|
| Ø 52 mm | 47117 |
| Ø 64 mm | 47151 |



For more details please contact KNOTT Sales Department.

WHEEL REFLECTOR

| Axle hub cap size | Art. number |
|--------------------------|--------------------|
| Ø 52 mm | 417563.001 |
| Ø 64 mm | 417561.001 |



WHEEL REFLECTOR

No doubt everyone will agree with the statement that safe behavior on the road is an absolute priority.

To improve the lateral visibility of the trailer we have designed an innovative wheel reflector, which is mounted on to the grease cap of the hub. This significantly increases the visibility of the trailer to other road users.



We propose the wheel reflectors to increase road safety:

- Easy mounted with a new type of hub cap
- Made of reflective foil certification to ECE R 104 Class C
- Ensure the optimum protection of wheel bolts
- Made of durable plastic





KNOTT BRAKES

Each of our braked axles are fitted with high quality Knott brakes that have been market leaders for over 70 years.

The new generation of brakes include an “automatic adjustment” feature that will not need any maintenance.

Our brakes supply include:

- mechanical drum brakes
- hydraulic drum brakes
- hydraulic disc brakes (innovation)
- electric brakes



Brake system comparison

| Types | Mechanical drum brake | Hydraulic drum brake | Hydraulic disc brake | Electric drum brake |
|--------------------------------|---|---|---|---|
| Advantages | - serial product (lower price level) - automatic reversing - automatic adjustment is possible - compact - easy installation | - precise - long lifetime | - maintenance free - better braking quality - long lifetime - automatic adjustment | - simple construction - automatic reversing - rigid drawbar (lower price level) |
| Supplementary equipment | - overrun device - brake cables - balance | - hydraulic overrun device - hydraulic cables - brake cables - balance | - hydraulic overrun device - electronic reversing control - hydraulic cables - brake cables - balance | - coupling - brake cables - balance |
| Max. load capacity | 900 kg | 900 kg | 900 kg | 900 kg |
| Bearing | - lifetime compact ball bearing - taper roller bearing | compact bearing | - compact bearing - taper roller bearing | taper roller bearing |
| Surface treatment | e-coated | e-coated | powder coated | e-coated |
| Water resistant | possible | possible | yes | possible |
| Status | serial product | serial product | new product | in development |

When ordering, please indicate whether you would like to get your axle with a self-adjusting brake.





Variety of mechanical drum brakes

| Type | Brake drum | Brake shoe width (mm) | Permissible mass G_{bo} | Brake torque M max (Nm) | Tyre \varnothing (mm) | | ECE number |
|------------|------------|-----------------------|---------------------------|---------------------------|-------------------------|------|-------------|
| | | | | | min. | max. | |
| 16-1365 | F 160 | 35 | 500 kg | 1050 | 368 | 580 | 361-0035-97 |
| 20-2425/ 1 | F 200 | 50 | 750 kg | 1700 | 506 | 720 | 361-006-94 |
| 25-2025 | F 250 | 40 | 900 kg | 2000 | 506 | 720 | 361-007-94 |
| 30-2261 | F 300 | 60 | 1500 kg | 6500 | 660 | 900 | 361-1076-97 |

| Type | Offset (mm) | Drawing number |
|-------------|-------------|----------------|
| F 160 | 0-45 | 6A0113 |
| F 160 W | 0-45 | 6A2263 |
| F 200 | 0-45 | 6A1121 |
| F 200 W | 0-45 | 6A2265 |
| F 200 ETO | (-5)-35 | 6A1303 |
| F 200 ETO W | (-5)-35 | 6A2578 |

W= water resistant/ waterproof

F 160



F 200



F 200 ETO





Variety of mechanical drum brakes

| Wheel connection | Brake |
|------------------|--------------|
| 98x4 | F 160, F 200 |
| 100x4 | F 160, F 200 |
| 100x5 | F 200 |
| 108x4 | F 160, F 200 |
| 110x4 | F 200 |
| 110x5 | F 200 |
| 112x5 | F 200, F 250 |
| 114,3x5 | F 200, F 250 |
| 115x4 | F 200, F 250 |
| 120x5 | F 200, F 250 |
| 120x6 | F 200, F 250 |
| 130x4 | F 200, F 250 |
| 130x5 | F 200, F 250 |
| 130x6 | F 200, F 250 |
| 139,7x4 | F 200, F 250 |
| 139,7x5 | F 200, F 250 |
| 139,7x6 | F 200, F 250 |
| 140x5 | F 200, F 250 |
| 140x6 | F 200, F 250 |
| 150x5 | F 250 |
| 152,4x5 | F 250 |
| 160x5 | F 250 |
| 165,1x5 | F 250 |
| 205x6 | F 300 |
| 205x5 | F 300 |
| 205x5 | F 300 |

| Type | Offset (mm) | Drawing number |
|-------------|-------------|----------------|
| F 250 | 0-45 | 6A0428 |
| F 250 W | 0-45 | 6A2327 |
| F 250 ET 10 | 0-10 | 6B7714 |
| F 300 | 0-45 | 6A2548 |

W= water resistant/ waterproof

F 250



F 250 ETO



F 300



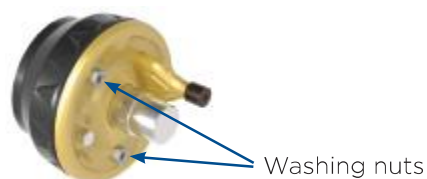
Washing nozzle for waterproof drum brakes

For longer life time use the washing nozzle.

It cleans the drum from the inside, so the brake shoe and spring remain clean.

How to use:

Plug the hose to the nozzle and turn on the water. The salt water and dirt will flow out.





Safety & comfort - simple and easy to maintain

1. Replacing the wheel or the brake can be done within a couple of minutes.

There are only 4 or 5 nuts to be loosened and the whole wheel can be removed together with the brake and the bearing.

2. Camber and toe-in positioning in factory conditions

3. Protection against corrosion even in extreme circumstances:

- completely galvanized brake
- high endurance
- clear visibility of the brake linings

4. The bearing of the wheel is protected against contamination and water

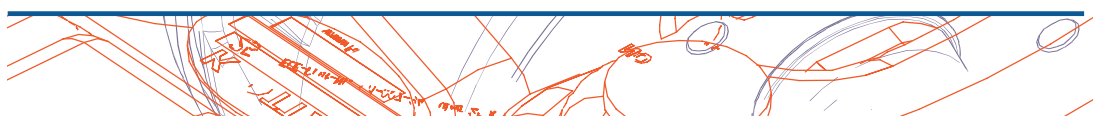
The bearing is treated with special lubricant and maintenance-free.

5. Bowden cable connection system

Without disassembling it, a brake cable is attached to the brake mechanism.

6. Self-locking axle nut

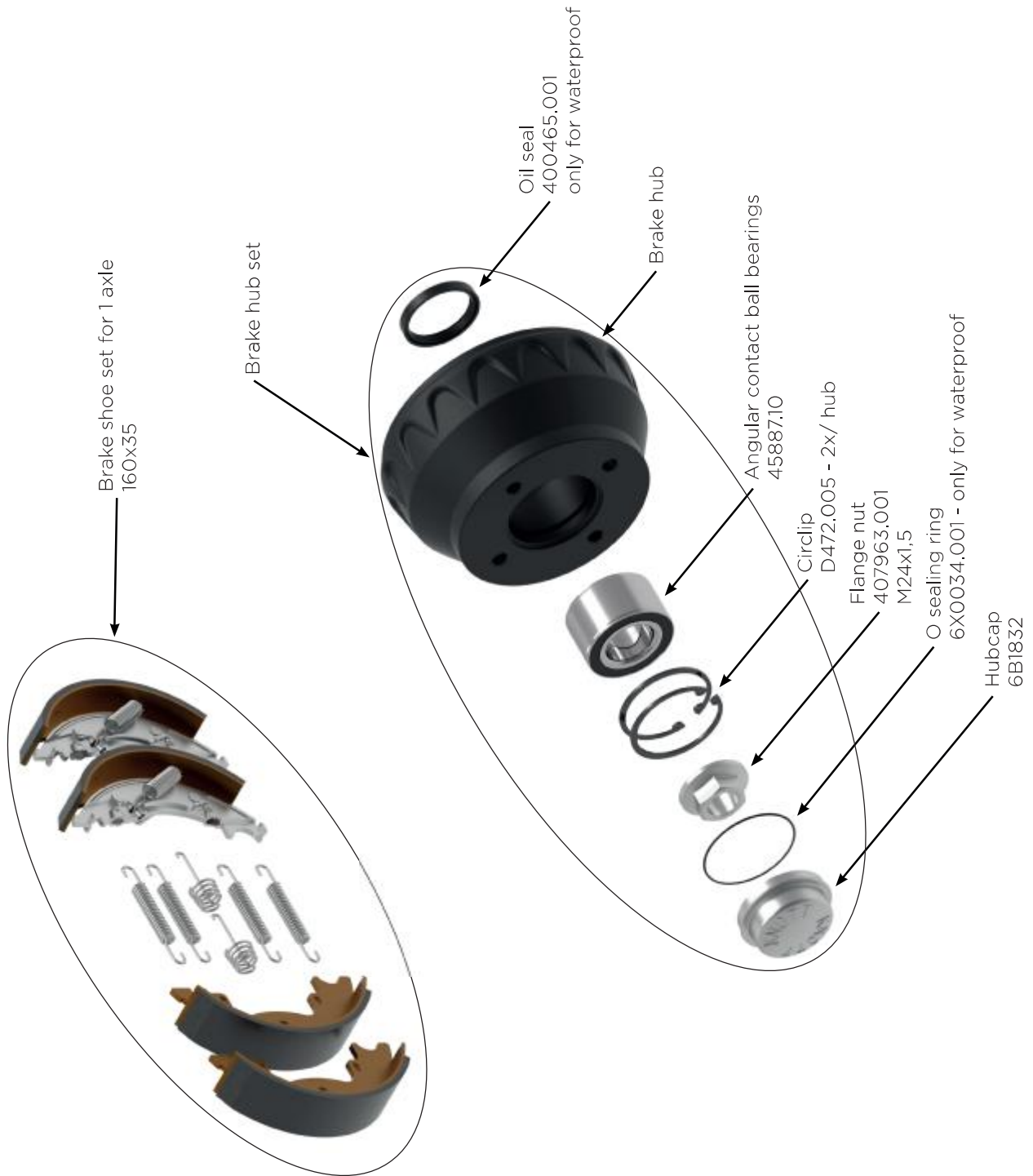
A torque of 280 Nm ensures the proper position of the bearing.





BRAKED AXLES

SPARE PARTS FOR WHEEL BRAKE F160X35 6BH892 - F160X35



BRAKED AXLES



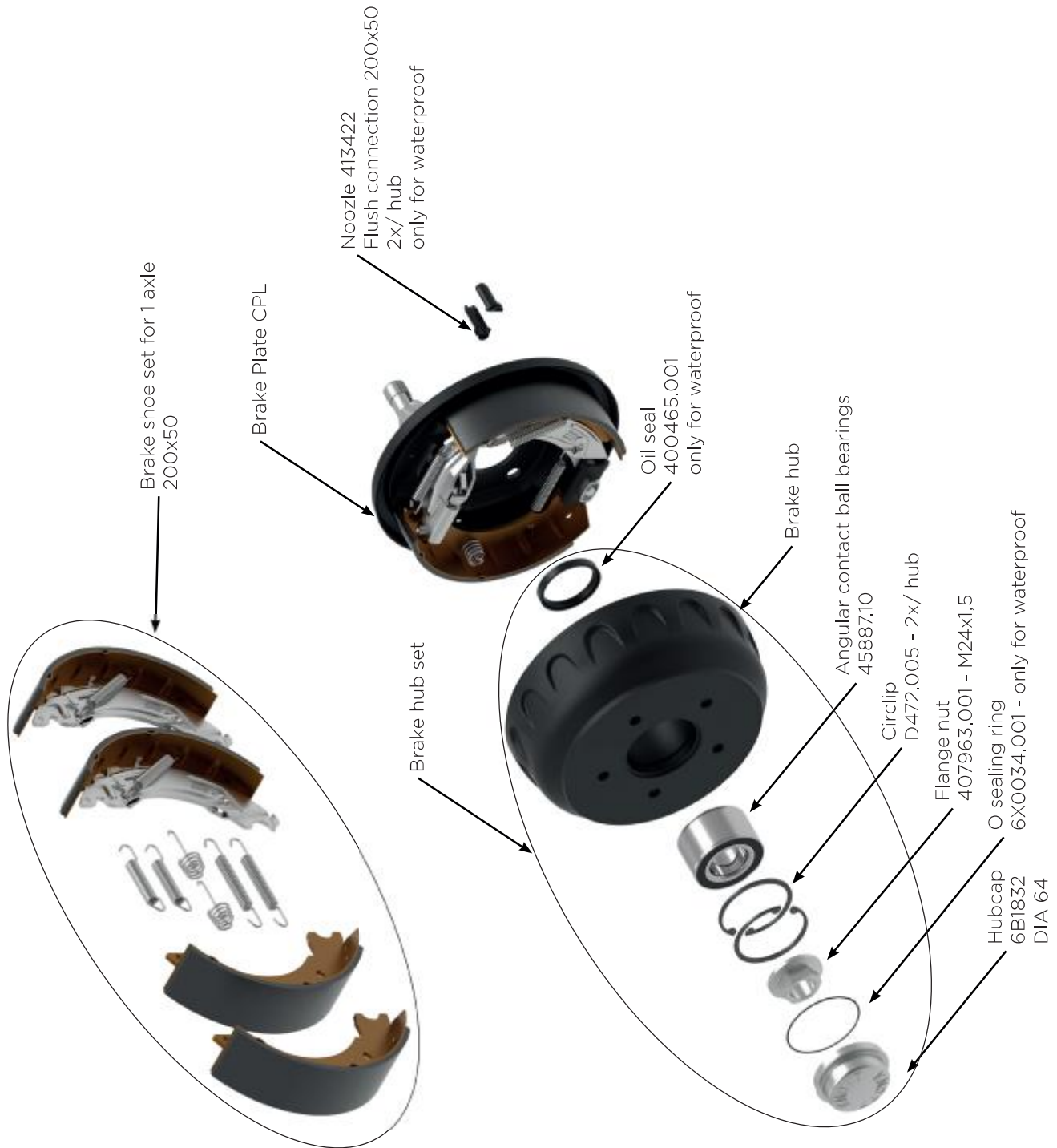
6BH892 - F160X35

| Ref. number | Description | Brake hub set | Brake hub | Brake hub | Circlip 2x/ hub | Angular contact ball bearings | Hub cap | Oil seal | O sealing ring | Flange nut | Brake shoe set for 1 axle |
|-------------|-------------|---------------|------------|------------|-----------------|-------------------------------|------------|------------|----------------|------------|---------------------------|
| 6BH892.004 | 100x4 W | 6BK817B002 | 414040B002 | 414040B002 | D472.005 | 45887,10 | 6B1832C017 | 400465.001 | 6X0034.001 | 407963.001 | 402611 |
| 6BH892.003 | 100x4 | 409699B002 | 414040B002 | 414040B002 | D472.005 | 45887,10 | 6B1832C002 | - | - | 407963.001 | 402611 |
| 6BH892.002 | 112x5 W | 6BK817C002 | 414040B002 | 414040B002 | D472.005 | 45887,10 | 6B1832C017 | 400465.001 | 6X0034.001 | 407963.001 | 402611 |
| 6BH892.001 | 112x5 | 409699C002 | 414040B002 | 414040B002 | D472.005 | 45887,10 | 6B1832C002 | - | - | 407963.001 | 402611 |

W= water resistant/ waterproof



**SPARE PARTS FOR WHEEL
BRAKE F200X50
6BH888 - F200X50**



6BH888 - F200X50

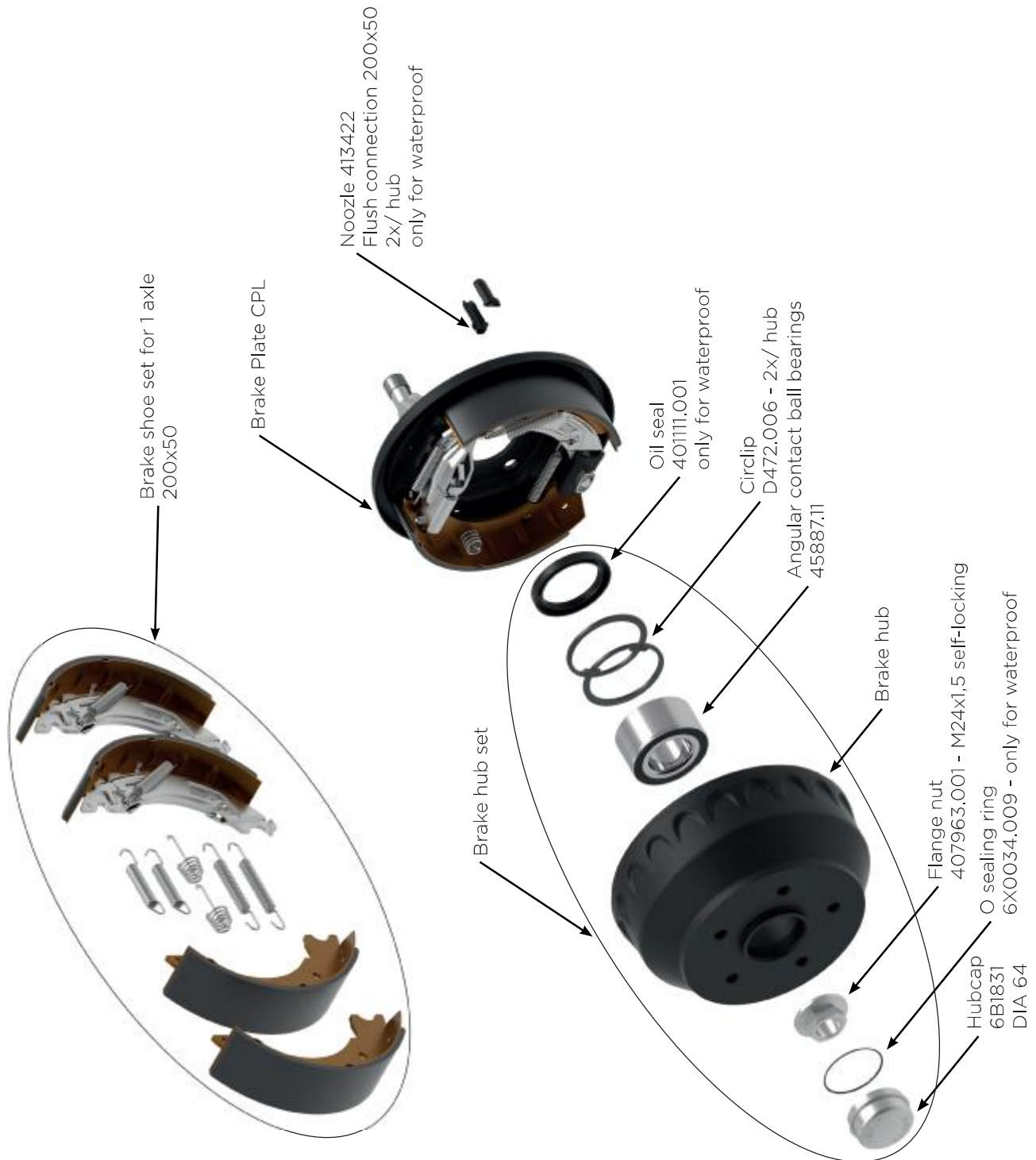
BRAKED AXLES

| Ref. number | Description | Brake hub set | Brake hub | Circlip 2x/ hub | Angular contact ball bearings | Hub cap | Oil seal | O sealing ring | Flange nut | Brake plate CPL | Brake shoe set for 1 axle |
|-------------|----------------------------|---------------|------------|-----------------|-------------------------------|------------|------------|----------------|------------|--------------------------------|---------------------------|
| 6BH888.010 | 112x5 ANS | 28745C02 | 412851C002 | D472.005 | 45887.10 | 6B1831C002 | - | - | 407963,001 | L: 413051,001 R: 413051,002 | 409930,001 |
| 6BH888.009 | 112x5 W without brake disc | 401362C002 | 412851C002 | D472.005 | 45887.10 | 6B1831C017 | 400465,001 | 6X0034,001 | 407963,001 | - | - |
| 6BH888.008 | 112x5 without brake disc | 28745C02 | 412851C002 | D472.005 | 45887.10 | 6B1831C002 | - | - | 407963,001 | - | - |
| 6BH888.007 | 112x5 W | 401362C002 | 412851C002 | D472.005 | 45887.10 | 6B1831C017 | 400465,001 | 6X0034,001 | 407963,001 | L: 26617.45 R: 26617.46 | 47276 |
| 6BH888.006 | 112x5 | 28745C02 | 412851C002 | D472.005 | 45887.10 | 6B1831C002 | - | - | 407963,001 | L: 26617.45 R: 26617.46 | 47276 |
| 6BH888.005 | 112x5 | 28745B02 | 412851B002 | D472.005 | 45887.10 | 6B1831C002 | - | - | 407963,001 | L: 413051,001 R: 413051,002 | 409930,001 |
| 6BH888.004 | 100x4 W without brake disc | 401362B002 | 412851B002 | D472.005 | 45887.10 | 6B1831C017 | 400465,001 | 6X0034,001 | 407963,001 | - | - |
| 6BH888.003 | 100x4 without brake disc | 28745B02 | 412851B002 | D472.005 | 45887.10 | 6B1831C002 | - | - | 407963,001 | - | - |
| 6BH888.002 | 100x4 W | 401362B002 | 412851B002 | D472.005 | 45887.10 | 6B1831C017 | 400465,001 | 6X0034,001 | 407963,001 | L: 26617.45 R: 26617.46 | 47276 |
| 6BH888.001 | 100x4 | 28745B02 | 412851B002 | D472.005 | 45887.10 | 6B1831C002 | - | - | 407963,001 | L: 26617.45 R: 26617.46 | 47276 |

W= water resistant/ waterproof



SPARE PARTS FOR WHEEL BRAKE F200X50 ETO 6BH889 - F200X50 ETO



6BH889 - F200X50 ETO

| BRAKED AXLES | | | | | | | | | | | | | |
|--------------|----------------------------|---------------|------------|-------------------|-----------------|-------------------------------|------------|------------|----------------|------------|--------------------------------|---------------------------|--------------------------|
| Ref. number | Description | Brake hub set | Brake hub | Brake hub 2x/ hub | Circlip 2x/ hub | Angular contact ball bearings | Hub cap | Oil seal | O sealing ring | Flange nut | Brake plate CPL | Brake shoe set for 1 axle | Flush connection 2x/ hub |
| 6BH889,006 | 112x5 ANS W | 6BK859C002 | 414025C002 | 414025C002 | D472.006 | 45887,11 | 6B1831C017 | 401111,001 | 6X0034,009 | 407963,001 | L: 413051,001 R: 413051,002 | 409930,001 | 413422,001 |
| 6BH889,005 | 112x5 ANS | 413041C001 | 414025C002 | 414025C002 | D472.006 | 45887,11 | 6B1831C002 | - | - | 407963,001 | L: 413051,001 R: 413051,002 | 409930,001 | - |
| 6BH889,004 | 112x5 W without brake disc | 6BK859C002 | 414025C002 | 414025C002 | D472.006 | 45887,11 | 6B1831C017 | 401111,001 | 6X0034,009 | 407963,001 | - | - | - |
| 6BH889,003 | 112x5 W without brake disc | 413041C001 | 414025C002 | 414025C002 | D472.006 | 45887,11 | 6B1831C002 | - | - | 407963,001 | - | - | - |
| 6BH889,002 | 112x5 W | 6BK859C002 | 414025C002 | 414025C002 | D472.006 | 45887,11 | 6B1831C017 | 401111,001 | 6X0034,009 | 407963,001 | L: 26617,45 R: 26617,46 | 47276 | 413422,001 |
| 6BH889,001 | 112x5 | 413041C001 | 414025C002 | 414025C002 | D472.006 | 45887,11 | 6B1831C002 | - | - | 407963,001 | L: 26617,45 R: 26617,46 | 47276 | - |

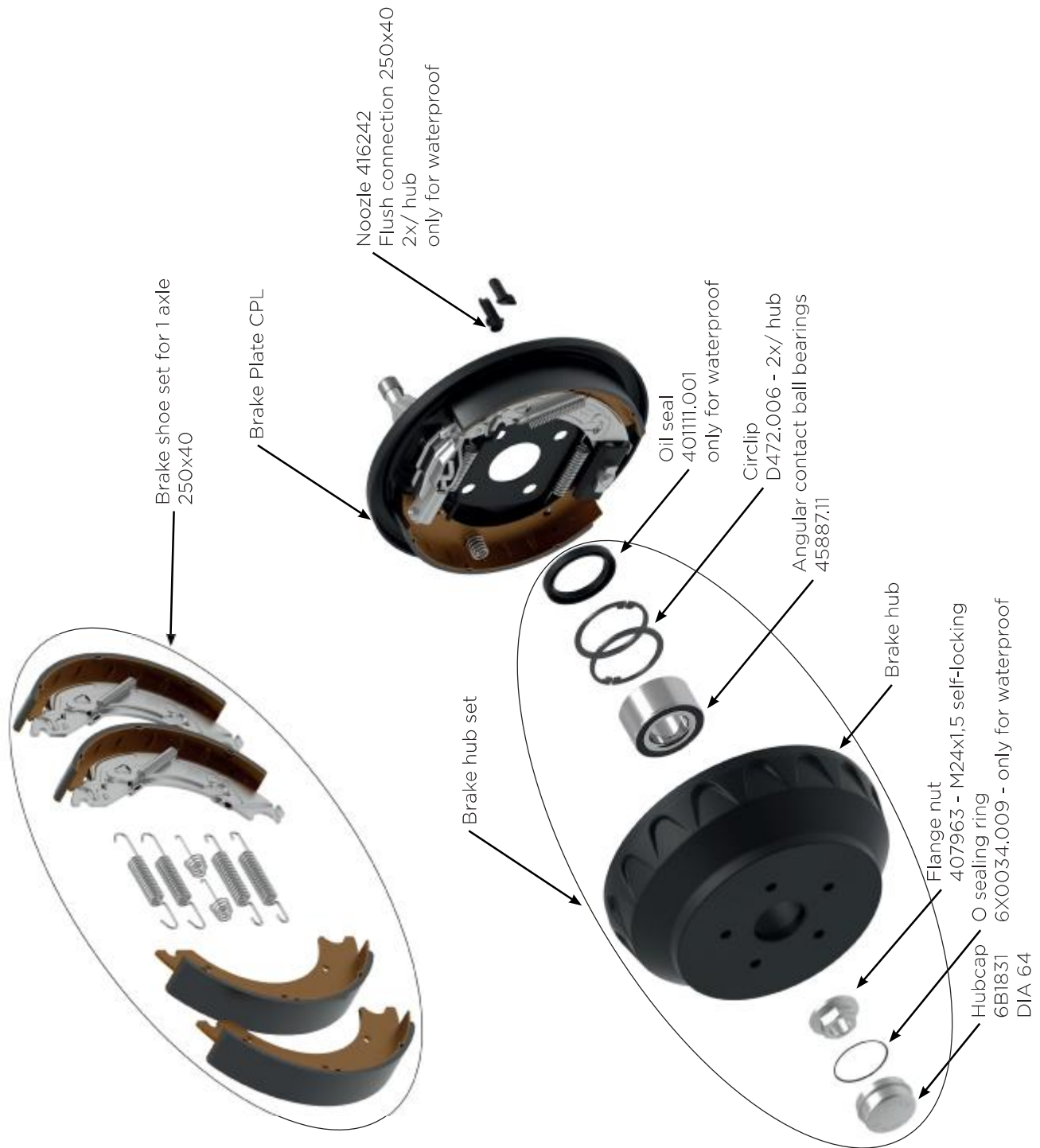
W= water resistant/ waterproof





BRAKED AXLES

SPARE PARTS FOR WHEEL BRAKE F250X40 6BH890 - F250X40



6BH890 - F250X40

BRAKED AXLES

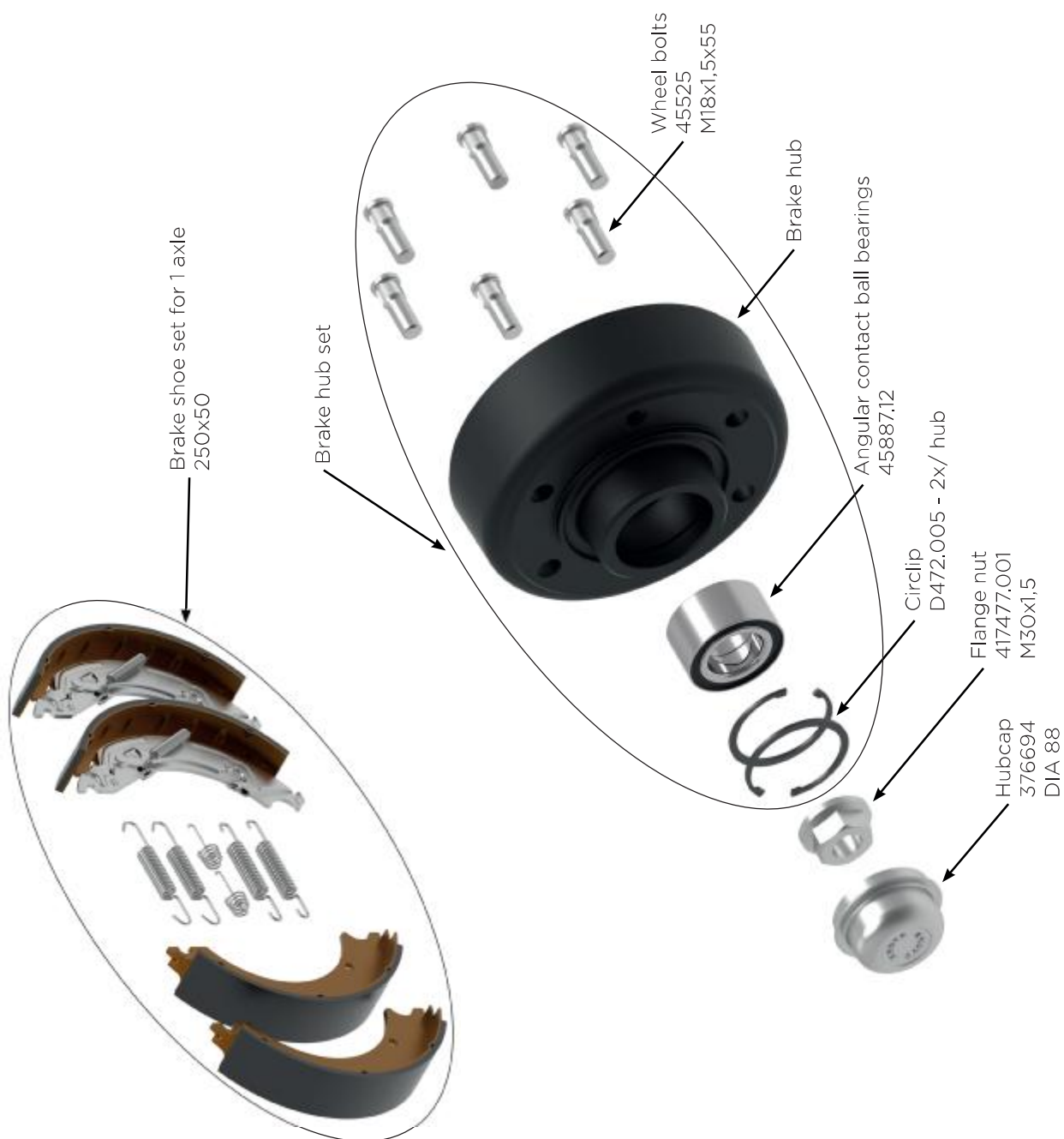
| Ref. number | Description | Brake hub set | Brake hub | Brake hub | Circclip 2x/ hub | Angular contact ball bearings | Hub cap | Oil seal | O sealing ring | Flange nut | Brake plate CPL | Brake shoe set for 1 axle | Flush connection 2x/ hub |
|-------------|----------------------------|---------------|------------|------------|------------------|-------------------------------|------------|------------|----------------|------------|--------------------------------|---------------------------|--------------------------|
| 6BH890.006 | 112x5 ANS W | 6BK937C002 | 414029C002 | 414029C002 | D472.006 | 45887.11 | 6B1831C017 | 401111.001 | 6x0034.009 | 407963.001 | L: 413066.001 R: 413066.002 | 409931.001 | 416242.001 |
| 6BH890.005 | 112x5 ANS | 28748C02 | 414029C002 | 414029C002 | D472.006 | 45887.11 | 6B1831C002 | - | - | 407963.001 | L: 413051.001 R: 413051.002 | 409931.001 | - |
| 6BH890.004 | 112x5 W without brake disc | 6BK937C002 | 414029C002 | 414029C002 | D472.006 | 45887.11 | 6B1831C017 | 401111.001 | 6x0034.009 | 407963.001 | - | - | - |
| 6BH890.003 | 112x5 without brake disc | 28748C02 | 414029C002 | 414029C002 | D472.006 | 45887.11 | 6B1831C002 | - | - | 407963.001 | - | - | - |
| 6BH890002 | 112x5 W | 6BK937C002 | 414029C002 | 414029C002 | D472.006 | 45887.11 | 6B1831C017 | 401111.001 | 6x0034.009 | 407963.001 | L: 412435.997 R: 412435.998 | 402677.001 | 416242.001 |
| 6BH890.001 | 112x5 | 28748C02 | 414029C002 | 414029C002 | D472.006 | 45887.11 | 6B1831C002 | - | - | 407963.001 | L: 412435.997 R: 412435.998 | 402677.001 | - |

W= water resistant/ waterproof





**SPARE PARTS FOR WHEEL
BRAKE F250X50 ETO
6BH900 - F250X50 ETO**





6BH900 - F250X50 ETO

| Ref. number | Description | Brake hub set | Brake hub | Brake hub | Circlip 2x/ hub | Angular contact ball bearings | Hub cap | Flange nut | Brake shoe set for 1 axle |
|-------------|-------------|---------------|------------|------------|-----------------|-------------------------------|---------|------------|---------------------------|
| 6BH900.002 | 205x6 ANS | 412377.001 | 412373.001 | 412373.001 | D472.005 | 45887.12 | 376694 | 417477.001 | 416158.001 |
| 6BH900.001 | 205x6 | 412377.001 | 412373.001 | 412373.001 | D472.005 | 45887.12 | 376694 | 417477.001 | 416163.001 |





BRAKED AXLES

Rubber suspension axle with auto-reverse drum brake

Product can be used for:

- Jet Skis
- snow-mobiles
- dog trailers
- utility trailers such as generators
- boat trailers
- horse trailers

Standard surface treatment:

- hot-dip galvanization

Load capacity:

- 750 kg to 2500 kg

Bearing type:

- compact ball bearing with long lifetime
- taper roller bearing

The product package includes:

- axle with torsion rubber and type plate
- brake drum
- swing arm

Additional equipment:

- brake cable
- balance
- brake cable holder
- bracket
- shock absorber
- self-adjusting brake for 200, 250 and 300 brakes



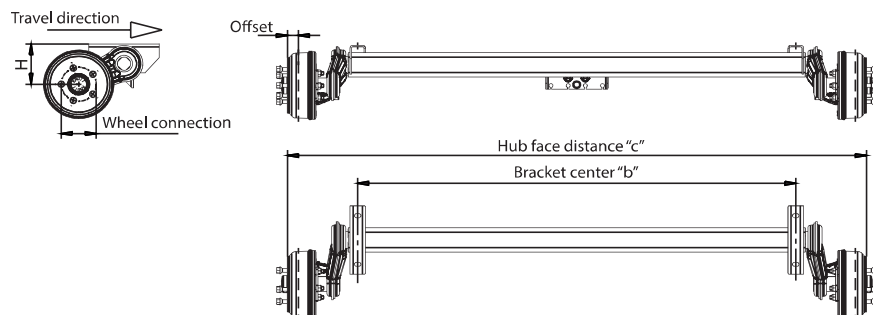
If you are interested in our product, please give the following parameters to our sales person to help you choose the best type suited to your needs:

- H, c, b size
- load capacity
- wheel connection
- offset

YOUTUBE VIDEO



Axle load capacity
up to 2500 kg





Rubber suspension bent axle with auto-reverse drum brake

Product can be used for:

- boat trailers

Standard surface treatment:

- hot-dip galvanization

Load capacity:

- 750 kg to 1800 kg

Bearing type:

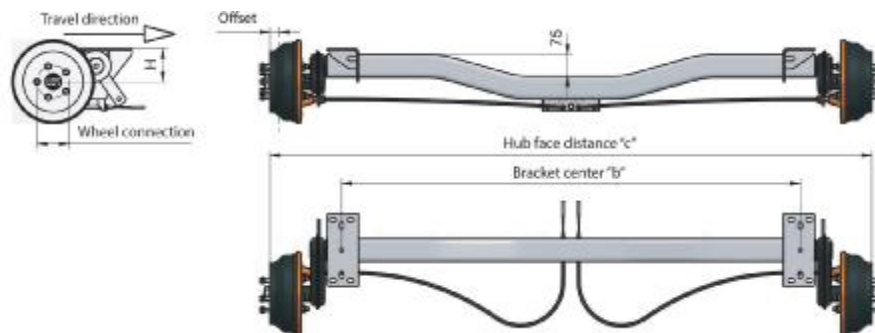
- compact ball bearing with long lifetime
- conical bearing

Advantages:

- the new design allows easier the transportation of boats and other vehicles
- the lower centre of gravity makes it more stable

If you are interested in our product, please give the following parameters to our sales person to help you choose the best type suited to your needs:

- H, c, b size
- load capacity
- wheel connection
- offset



Axle load capacity up to 1800 kg





Rubber suspension tandem axle with auto-reverse drum brake

Product can be used for:

- utility trailers
- horse trailers

Standard surface treatment:

- hot-dip galvanization

Load capacity:

- 1500 kg to 3500 kg

Bearing type:

- compact ball bearing with long lifetime
- taper roller bearing

The product package includes:

- axle with torsion rubber and type plate
- brake drum
- swing arm

Mounting types:

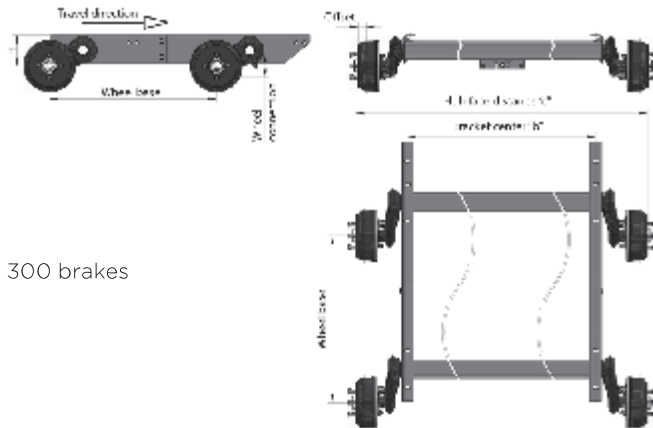
- welded
- bolted

Additional parts:

- brake cable
- balance
- brake cable holder
- bracket
- shock absorber
- self-adjusting brake for 200, 250 and 300 brakes

If you are interested in our product, please give the following parameters to our sales person to help you choose the best type suited to your needs:

- H, c, b size
- load capacity
- wheel connection
- offset



YOUTUBE
VIDEO



Axle load capacity up to 3500 kg



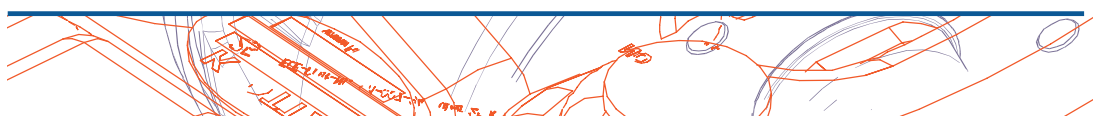
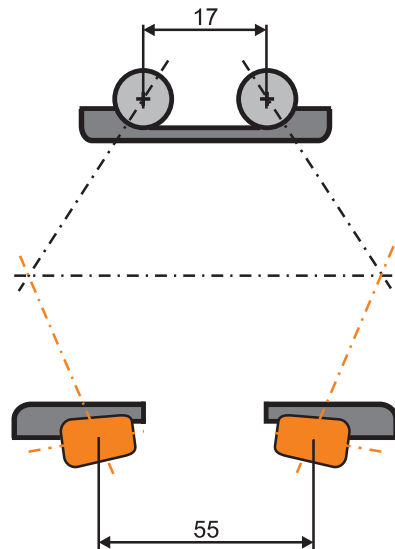


DOUBLE ROW ANGULAR BEARING

Heavy duty, maintenance free and water resistant double row bearings

Heavy duty, maintenance free, water resistant double row bearings are applied in the axle series production.

In connection with the mechanical characteristics, the influence line of angular bearing with ball-row distance of 17 mms, is equivalent to two pieces of taper roller bearings with a roller distance of 55 mm.





BALANCE BAR

New balance bar kit for single axle

Mounting kit for old version brake cables **with hexagon nut**

Art. number: 410335.001

Mounting kit for old version brake cables **with self-locking hexagon nut**

Art. number: 409905.001

New balance bar mounting kit for **new brake cables**

Art. number: 409904.001



New balance bar kit for tandem axle with self-locking hexagon nut

Art. number: 409907.001

New balance bar kit for tandem axle

Art. number: 409906.001



An example for mounting the old version brake cables for tandem axle

An example for mounting the new version brake cables for tandem axle





Simple installation of the brake cable

1. Remove the protective cover.
2. Lift the upper part of the cable bracket.



3. Connect the end of the brake cable.



4. Close the cable bracket cover.
5. Move the cover of the cable forward.



6. The brake mechanism is ready for use.





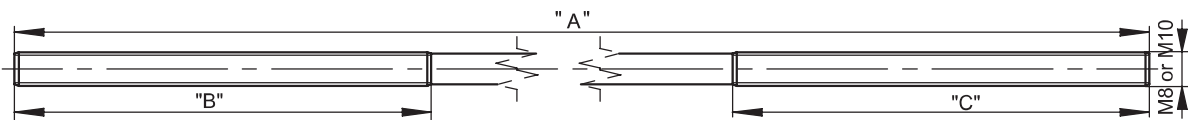
BRAKED AXLES

BRAKE ROD & BOWDEN CABLE

Our brake rods are supplied with the following dimensions:

A = between 400 and 3000mm
B = between 50 and 150mm
C = between 50 and 500mm length
Art. number: 36838

Different sizes can be provided on request.

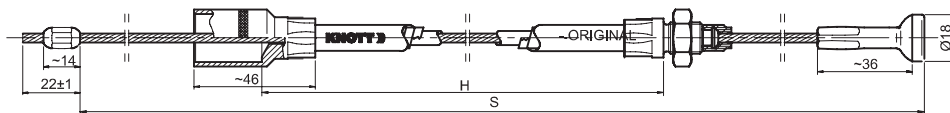
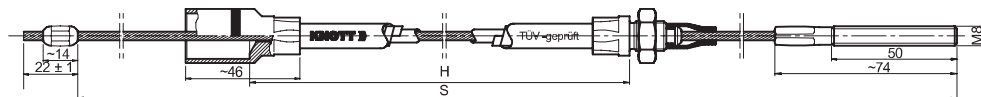


Standard trailer brake cable

Our trailer brake cables are supplied with the following dimensions:

H = between 530 and 2230mm
S = between 720 and 2420mm length
Drawing numbers: 33921-1, 980202

Different sizes can be provided on request.



Stainless steel trailer brake cable

The stainless steel cable is made of corrosion resistant steel, the threaded end and sleeve are treated with high corrosion protection in extreme conditions.





THE NEW RANGE OF STAINLESS STEEL BRAKE CABLES

The Zinc-Nickel finishing of our new range of stainless steel brake cables increases their resistance to oxidation

Compared to the standard versions the stainless steel inner cable's construction has a significantly greater efficiency and lifespan - as proven by our salt spray laboratory testing. Additionally the inner stainless cable is lubricated in order to obtain the highest quality and durability, reducing the friction with the outer cable.

KNOTT stainless steel brake cables with zinc-nickel plating guarantee the highest quality, durability and comfort.

| Flange - Flange c | H (mm) | S (mm) | Art. number |
|-------------------|--------|--------|-------------|
| 1450 | 730 | 920 | 980207.06 |
| 1550 | 730 | 920 | 980207.06 |
| 1650 | 730 | 920 | 980207.06 |
| 1750 | 830 | 1020 | 980207.07 |
| 1850 | 830 | 1020 | 980207.07 |
| 1950 | 1030 | 1220 | 980207.11 |
| 2050 | 1030 | 1220 | 980207.11 |
| 2150 | 1030 | 1220 | 980207.11 |
| 2250 | 1230 | 1420 | 980207.14 |
| 2350 | 1230 | 1420 | 980207.14 |



LOWERING TRAILER

Introducing the manual lowering trailer - the practical solution for transporting motorbikes, lawn mowers, and other vehicles with ease and safety. Designed for convenience and efficiency, our trailers make transportation tasks simple, saving you time and effort.

Our manual lowering trailer is designed for simplicity and efficiency. Operated by a braked winch, this innovative trailer can be lowered all the way to the ground, eliminating the need for ramps.

Versatility is key. Our trailers are perfect for a variety of vehicles, making them an indispensable tool for any enthusiast or professional. The braked winch is designed for reliability and ease of use. Its simple mechanism ensures that anyone can operate it without hassle.



We offer our manual lowering trailer in different sizes and load capacities to meet your specific needs. Currently, we have three models available.

Our 750 kg load capacity unbraked trailer is supplied in two sizes: 98x63" and 118x63"

For heavier loads, we have a 1300 kg load capacity braked trailer, sized at 118x63".

Discover the difference with our manual lowering trailer.

Contact us today to find the perfect model for your needs.





RIGID AXLES

www.autoflex.hu





RIGID AXLES

UNBRAKED RIGID AXLE

Product can be used for:

- utility trailers

Standard surface treatment:

- hot-dip galvanization
- paint

Load capacity:

- 500 kg to 1800 kg

Axle body type:

- tube
- square tube

Bearing type:

- compact ball bearing with long lifetime
- taper roller bearing

The product package includes:

- axle with type plate
- hub or drum brake

NEW DESIGN!

Solid axle with additional protector cup. It protects the seal against stones and debris in a harsh environment.

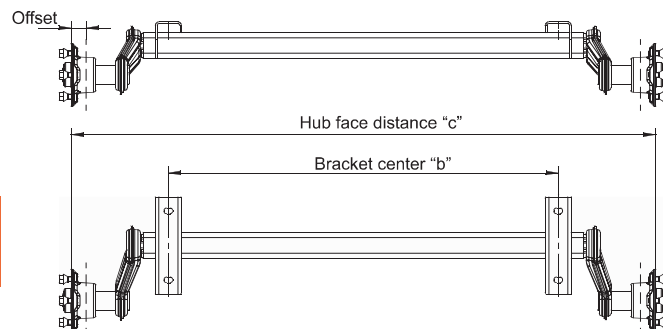
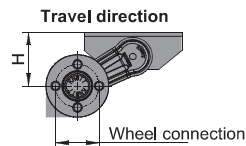
Additional:

- leaf spring
- shock absorber
- protector cup



If you are interested in our product, please give the following parameters to our sales person to help you choose the best type suited to your needs:

- c, b size
- load capacity
- wheel connection
- offset



Axle load capacity up to 1800 kg





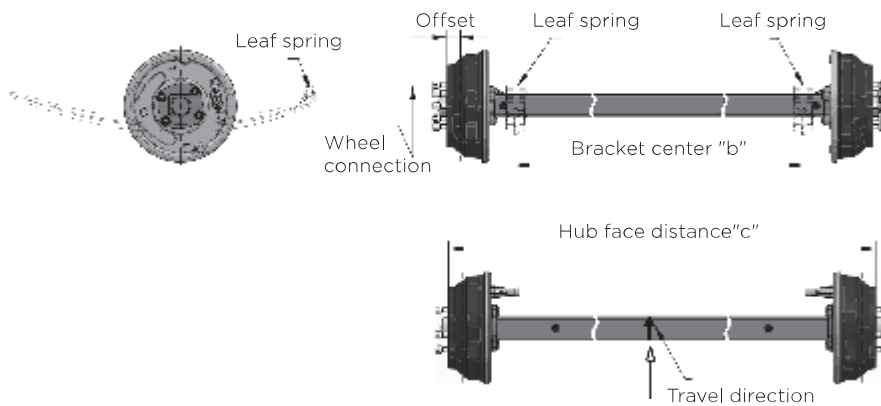
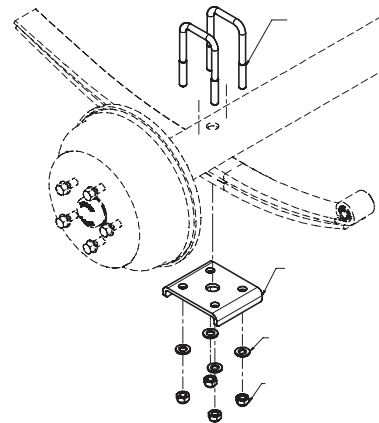
Rigid axle with auto-reverse drum brake



Axle load capacity up to 1800 kg

For more sizes and info please contact our sales person!

Mounting of the leaf spring

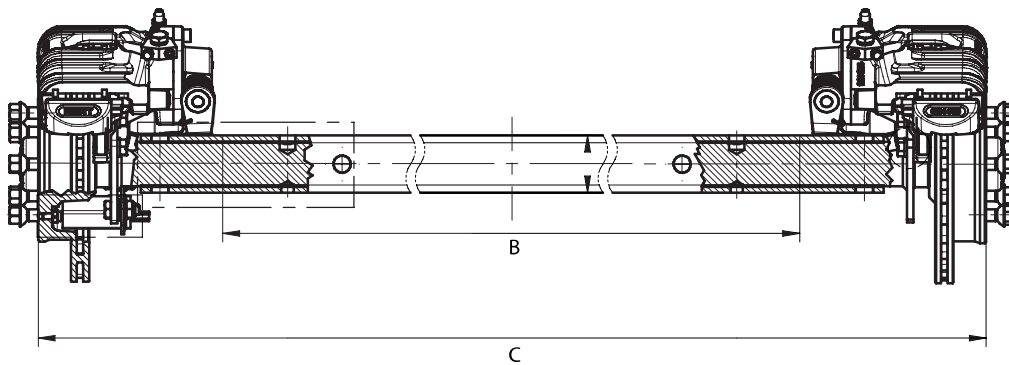




RIGID AXLES

VRB braked axle with disc brake

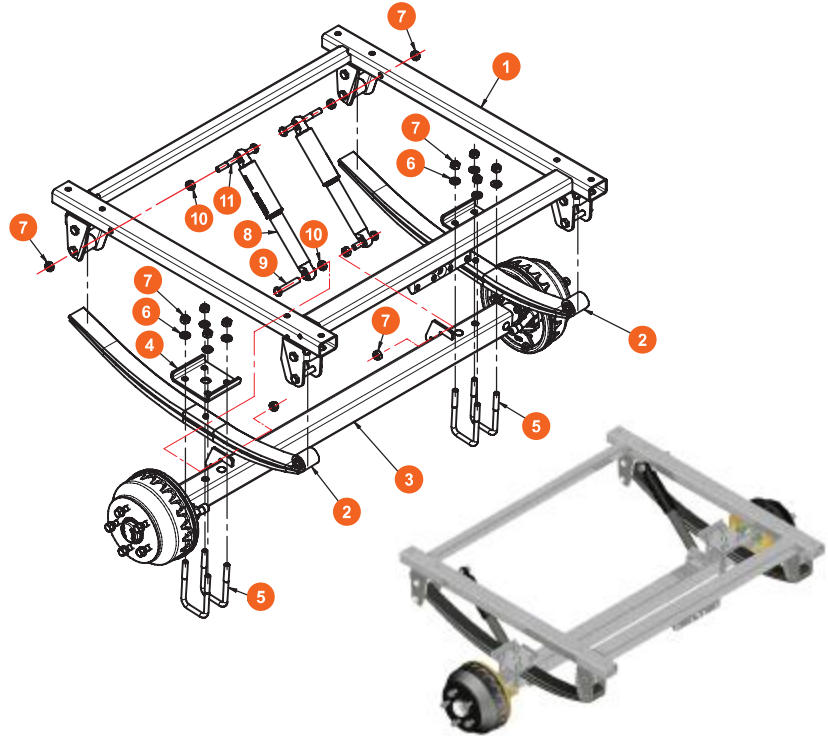
| Type | Load capacity | c (mm) | b (mm) | PCD (mm) | Offset (mm) | Art. number |
|-----------|---------------|--------|--------|----------|-------------|-------------|
| VRB-18 MV | 1800 kg | 2070 | 1550 | Ø112x5 | 25-35 | 6AE925.001 |





MOUNTING OF THE LEAF SPRING

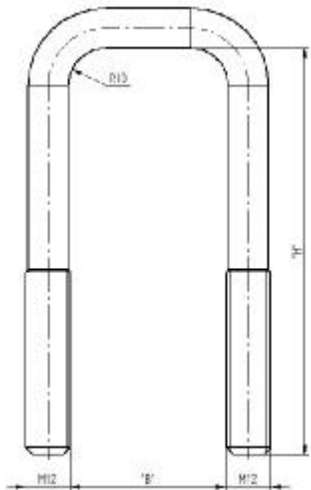
| N° | Pcs | Spare part name |
|----|-----|------------------|
| 1 | 1 | Frame kpl. |
| 2 | 2 | Leaf spring |
| 3 | 1 | Axle cpl. |
| 4 | 2 | Bolt-on element |
| 5 | 4 | U-Bolt |
| 6 | 8 | Washer |
| 7 | 12 | Hexagon lock nut |
| 8 | 2 | Shock absorber |
| 9 | 2 | Hexagon bolt |
| 10 | 4 | Hexagon nut |
| 11 | 2 | Hexagon bolt |



U-BOLT

Used for fixing:

- axles
- mudguards
- rollers
- glide bunk
- winches
- jacks
- other trailer part elements



| Art. number | H (mm) | B (mm) |
|-------------|--------|--------|
| 6X1126.001 | 110 | 52 |
| 6X1126.002 | 120 | 52 |
| 6X1126.003 | 130 | 52 |
| 6X1126.004 | 150 | 52 |
| 6X1126.005 | 170 | 52 |
| 6X1126.006 | 110 | 42 |
| 6X1126.007 | 130 | 42 |
| 6X1126.008 | 150 | 42 |
| 6X1126.009 | 120 | 60 |
| 6X1126.010 | 120 | 40 |
| 6X1126.011 | 150 | 60 |
| 6X1126.012 | 150 | 100 |
| 6X1126.013 | 150 | 80 |
| 6X1126.014 | 90 | 60 |
| 6X1126.015 | 150 | 120 |
| 6X1126.016 | 90 | 80 |
| 6X1126.017 | 140 | 70 |
| 6X1126.018 | 70 | 80 |
| 6X1126.020 | 105 | 100 |
| 6X1126.021 | 100 | 100 |
| 6X1126.022 | 120 | 100 |

| Art. number | H (mm) | B (mm) |
|-------------|--------|--------|
| 6X1126.023 | 150 | 90 |
| 6X1126.024 | 120 | 82 |
| 6X1126.025 | 140 | 60 |
| 6X1126.026 | 90 | 40 |
| 6X1126.027 | 80 | 60 |
| 6X1126.028 | 170 | 60 |
| 6X1126.029 | 160 | 41 |
| 6X1126.030 | 140 | 106 |
| 6X1126.031 | 180 | 41 |
| 6X1126.032 | 115 | 61 |
| 6X1126.033 | 80 | 86 |
| 6X1126.034 | 140 | 42 |
| 6X1126.035 | 140 | 53 |
| 6X1126.036 | 80 | 74 |
| 6X1126.037 | 70 | 62 |
| 6X1126.038 | 105 | 62 |
| 6X1126.039 | 70 | 86 |
| 6X1126.040 | 170 | 42 |
| 6X1126.041 | 130 | 106 |
| 6X1126.042 | 145 | 56 |





LEAF SPRING

LEAF SPRING FOR RIGID AXLES

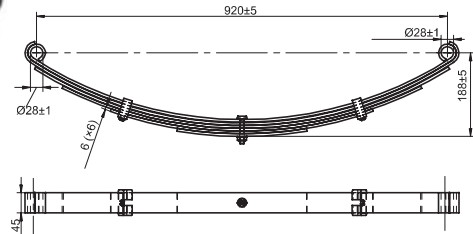
6X1356.001

Double-eye leaf spring

(6 mm leaf 6 pcs)

Spring capacity: 375 kg

Self weight: 11 kg



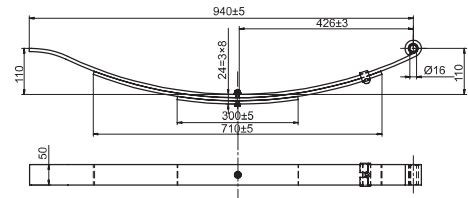
6X1356.004

Open-eye leaf spring with flat end

(8 mm leaf 3 pcs)

Spring capacity: 375 kg

Self weight: 6,6 kg



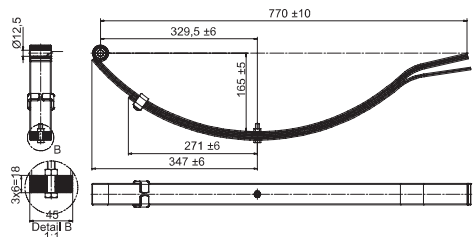
6X1356.010

Open-eye leaf spring with flat end

(6 mm leaf 3 pcs)

Spring capacity: 375 kg

Self weight: 5,6 kg



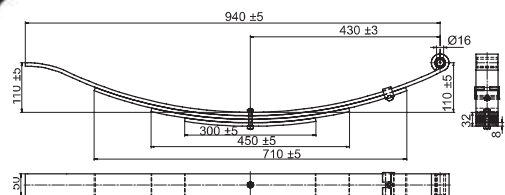
6X1356.009

Open-eye leaf spring with flat end

(8 mm leaf 4 pcs)

Spring capacity: 450 kg

Self weight: 8 kg

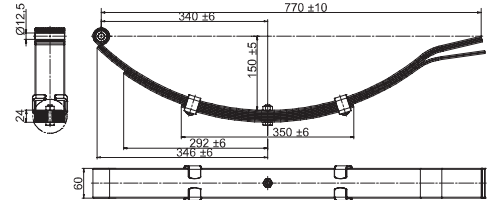




6X1356.011

Open-eye leaf spring with flat end

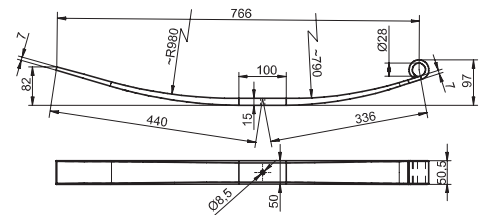
(6 mm leaf 4 pcs)
Spring capacity: 450 kg
Self weight: 8,5 kg



6B4699.001

Open-eye parabolic leaf spring with flat end

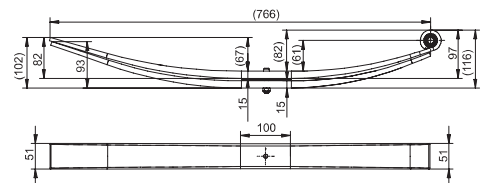
(7-15 mm leaf 1 pcs)
Spring capacity: 500 kg
Self weight: 3,7 kg



6B4590.001

Open-eye parabolic leaf spring with flat end

(7-15 mm leaf 2 pcs)
Spring capacity: 900 kg
Self weight: 7,3 kg

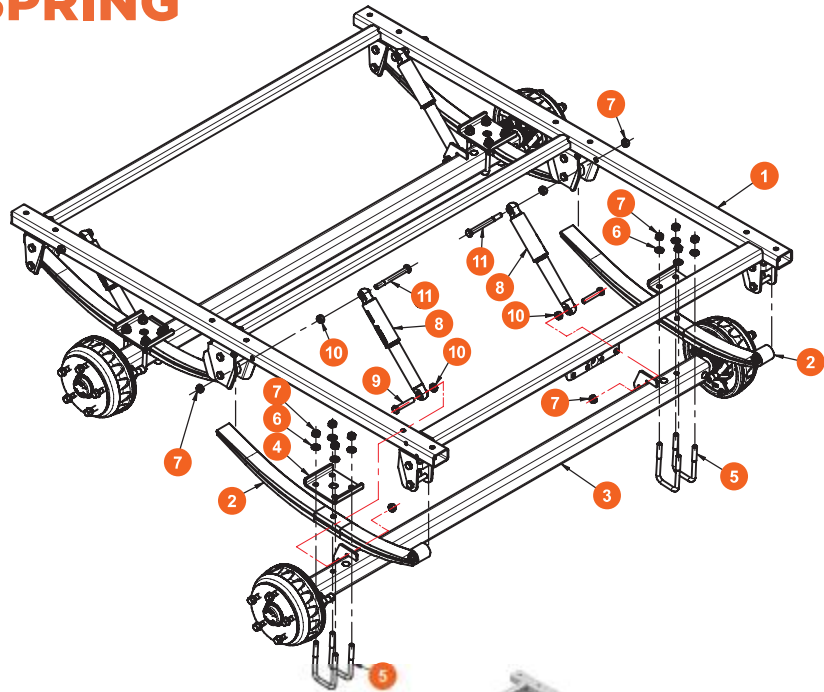




LEAF SPRING

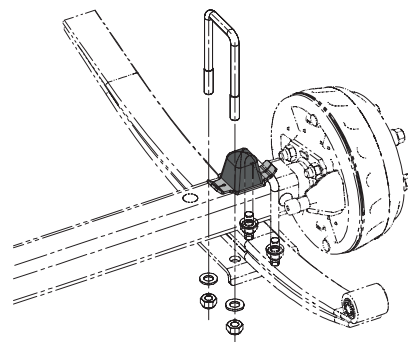
MOUNTING OPTION OF THE LEAF SPRING

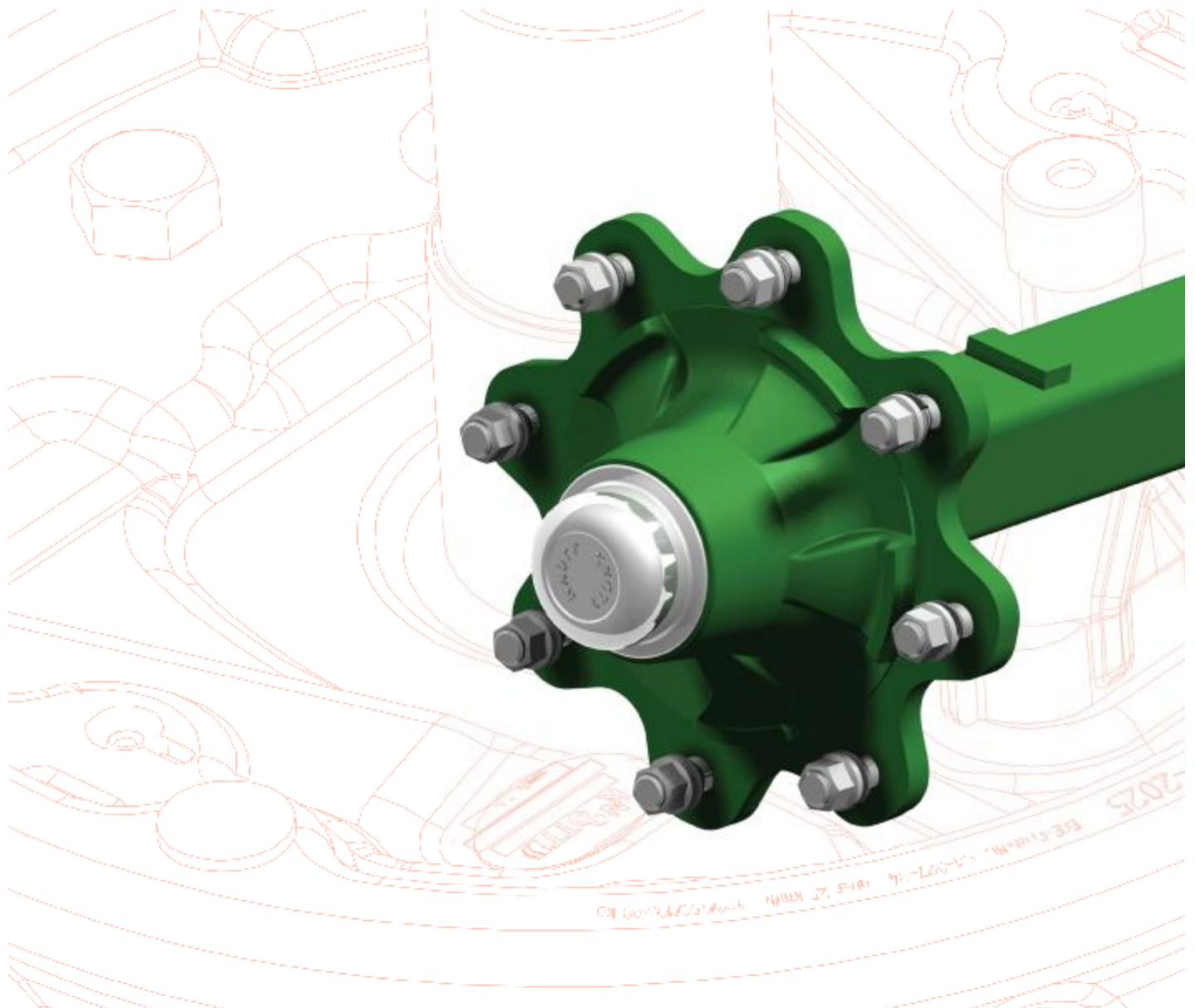
| N° | Pcs | Spare part name |
|----|-----|------------------|
| 1 | 1 | Frame kpl. |
| 2 | 4 | Leaf spring |
| 3 | 2 | Axle cpl. |
| 4 | 4 | Bolt-on element |
| 5 | 8 | U-Bolt |
| 6 | 16 | Washer |
| 7 | 24 | Hexagon lock nut |
| 8 | 4 | Shock absorber |
| 9 | 4 | Hexagon bolt |
| 10 | 8 | Hexagon nut |
| 11 | 4 | Hexagon bolt |



The leaf springs can be overslung (placed over the axle) (1) or underslung (placed under the axle) (2). Either way, the U-bolts fit around the axle and secure the metal plate that rests against the leaf springs.

RUBBER BUFFER 6BB471.001





AGRICULTURAL AXLES

www.autoflex.hu



FOUR ARE BETTER THAN THREE. Safer journeys with the original comfort axle from KNOTT.

Why four are better than three?

Are you already safely on the road with your caravan or trailer? It's worth noting that on many rubber torsion spring axles the suspension load is distributed over just three rubber elements.

We insist using four rubber elements at the heart of our axles;

- for greater resistance against dangerous swaying
- because they surround a larger area of the inner member preventing the axle from "steering"
- for greater stability
- for better suspension characteristics and a significantly more accurate suspension setting

For more comfort and safety on all your journeys.

But all good things can be made better.

The square axle inner tube has concave sides, this guarantees accuracy of assembly, long service life and outstanding suspension characteristics. Our comfort axle adapts to different road conditions like no other; a smooth and comfortable ride whether the trailer or caravan is partially or fully laden - coupled with a large safety factor in case of overload.

Your journeys are now even safer with original KNOTT trailer technology, no matter what type of trailer you have.

0°= unloaded

Not three but four rubber elements surround the inner member of the original KNOTT axle to provide greater towing stability.



15°= 1,0 x nominal load

The inner member gently flexes the rubber thanks to its unique shape, instead of crushing it: for a long service life and significantly more comfortable ride.



30°= 2,0 x nominal load

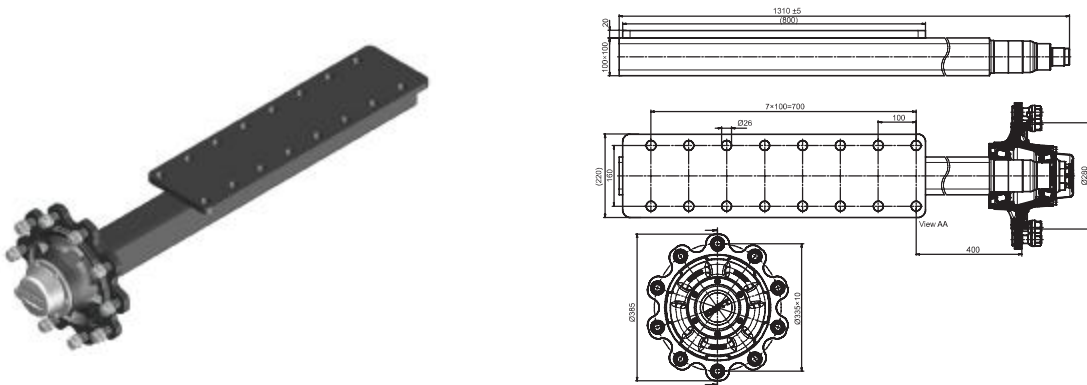
The clever bead in the axle tube prevents the inner member from rotating in the event of overload.





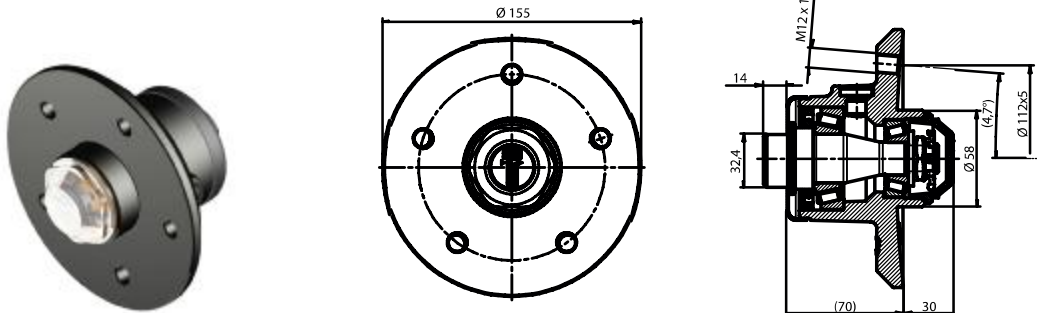
UNBRAKED HALF-AXLE FOR AGRICULTURAL RIGID AXLES FNK 46

| Type | 40 km/h | | | Offset (mm) | PCD (mm) | Center hole (mm) | Art. number |
|--------|---------|------|------|-------------|----------|------------------|-------------|
| | | | | | | | |
| FNK 63 | 825 | 975 | 725 | 0 | Ø 140x5 | 94 | 6BC195.001 |
| FNK 45 | 1350 | 1600 | 1200 | 0 | Ø 205x6 | 160 | 6BB558.001 |
| FNK 62 | 1750 | 2050 | 1500 | 0 | Ø 205x6 | 160 | 6BC194.001 |
| FNK 47 | 2000 | 2500 | 1750 | 0 | Ø 205x6 | 160 | 6B7455.001 |
| FNK 61 | 3250 | 3750 | 3000 | 0 | Ø 205x6 | 160 | 6BC193.001 |
| FNK 44 | 3350 | 3700 | 3000 | 0 | Ø 275x8 | 220 | 6B8230.001 |
| FNK 59 | 3850 | 4200 | 3500 | 0 | Ø 205x6 | 160 | 6BB565.001 |
| FNK 60 | 4000 | 4500 | 3750 | 0 | Ø 275x8 | 220 | 6BE747.001 |
| FNK 46 | 5500 | 6250 | 4750 | 0 | Ø 335x10 | 280 | 6B7445.001 |
| FNK 64 | - | 3500 | - | - | Ø 205x6 | 160 | 6BC227.001 |
| FNK 65 | - | 6000 | - | - | Ø 229x6 | 160 | 6BC228.001 |



UNBRAKED HUB AND STUB FOR AGRICULTURAL AXLES FNK 66

Art. number: 6BB957.001





AGRICULTURAL AXLES

UNBRAKED HUB AND STUB FOR AGRICULTURAL RIGID AXLES

FNK 63

Art. number: 6BC195.001



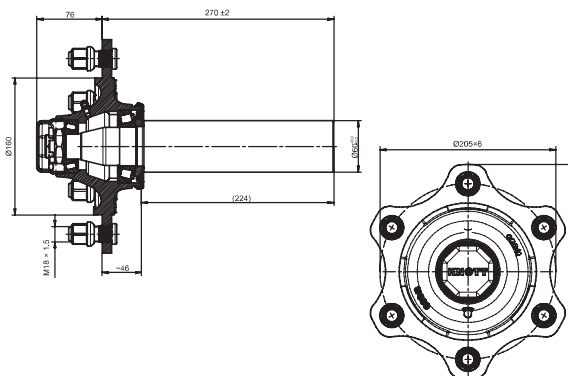
FNK 44

Art. number: 6B8230.001



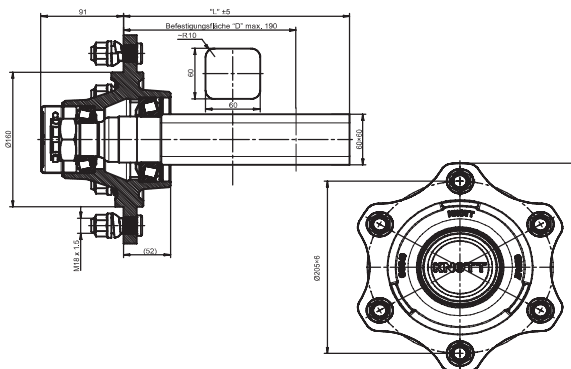
FNK 45

Art. number: 6BB558.001



FNK 47

Art. number: 6BC231.001





FNK 61

Art. number: 6BC193.001



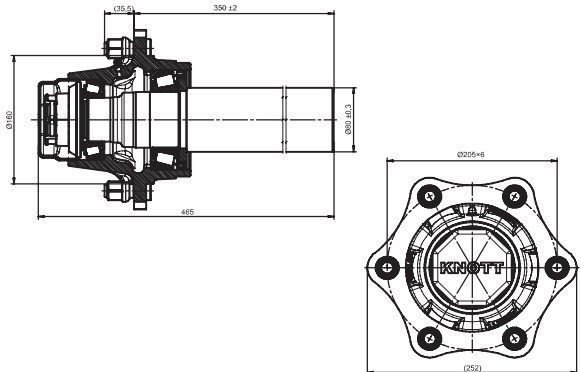
FNK 62

Art. number: 6BC194.001



FNK 59

Art. number: 6BB565.001



FNK 64

Art. number: 6BC227.001



FNK 65

Art. number: 6BC228.001




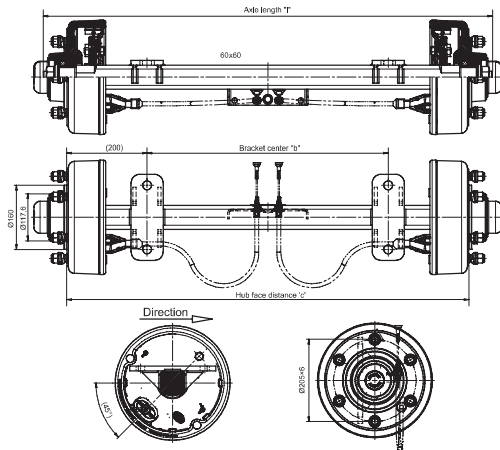


BRAKED AXLE FOR AGRICULTURAL MACHINERY 6AC342.001

| Drawing number | Brake | Brake type | Certification | Automatic reverse control | Center hole |
|----------------|--------|------------|---------------|---------------------------|-------------|
| 6AC342 | 250x40 | 25-2025 | 361-063-20 | backmat | Ø 160 mm |

| Type | Art. number | Brake control | Greasing nipple | PCD |
|--------|-------------|---------------|-----------------|-------|
| VRB 27 | 6AC342.001 | spread lever | none | 205x6 |


| VRB 27 | Speed | Load capacity |
|---|----------|---------------|
|  | 40 km/ h | 2700 kg |



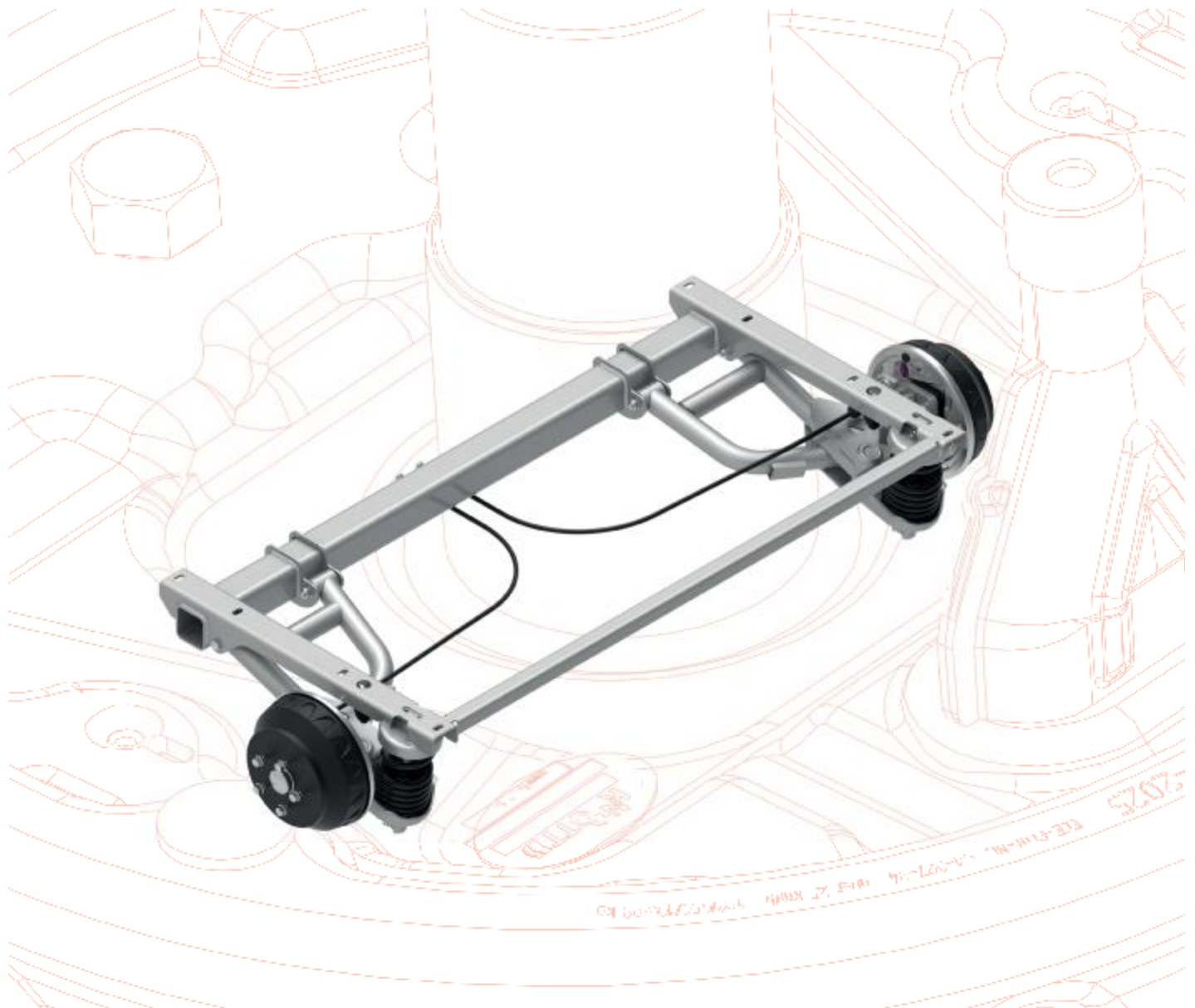
6AA949.001

| Drawing number | Brake | Brake type | Certification | Automatic reverse control | Center hole |
|----------------|--------|------------|---------------|---------------------------|-------------|
| 6AA949 | 300x60 | 30-4306 | 361-049-19 | none | Ø 220 mm |

| Type | Art. number | Brake control | Greasing nipple | PCD |
|--------|-------------|---------------|-----------------|-------|
| VRB 37 | 6AA949.001 | CAM, N | none | 275x8 |

| VRB 37 | Speed | Load capacity |
|---|----------|---------------|
|  | 40 km/ h | 3700 kg |





SPIRAL SPRING AXLES

www.autoflex.hu



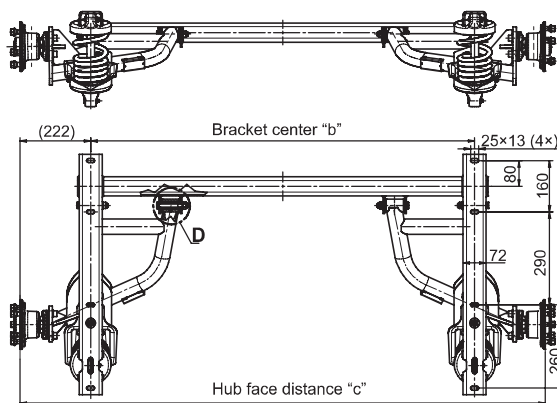
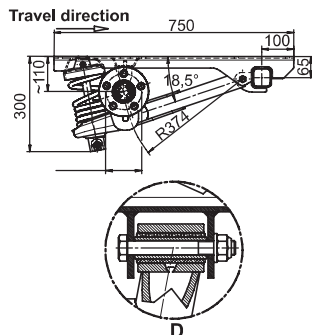


SPIRAL SPRING AXLES

UNBRAKED AXLE WITH SPIRAL SPRING

| Type | Load capacity | c (mm) | b (mm) | PCD (mm) | Offset (mm) | Art. number |
|----------|---------------|--------|--------|-----------|-------------|-------------|
| SGL 13 L | 1350 kg | 1644 | 1200 | Ø 112x5 | 26-35 | 6AB899.001 |
| SGL 13 L | 1350 kg | 1544 | 1100 | Ø 112x5 | 26-35 | 6AB899.002 |
| SGL 13 L | 1350 kg | 1444 | 1000 | Ø 139,7x6 | 26-35 | 6AB899.003 |
| SGL 13 L | 1350 kg | 1544 | 1100 | Ø 139,7x6 | 26-35 | 6AB899.004 |

**For more information please contact our sales person!
 These axles are available according to inquiry.
 More types are available.
 Please ask our sales person for current drawings!**





BRAKED AXLE WITH SPIRAL SPRING

| Type | Load capacity | c (mm) | b (mm) | PCD (mm) | Offset (mm) | Art. number |
|-----------|---------------|--------|--------|----------|-------------|-------------|
| SGB 13 L | 1350 kg | 1644 | 1200 | Ø 112x5 | 26-35 | 6AB302.001 |
| SGB 15 MV | 1500 kg | 2146 | 1670 | Ø 112x5 | 0-45 | 6AC212.001 |
| SGB 18 MV | 1800 kg | 1844 | 1400 | Ø 112x5 | 26-35 | 6AB612.001 |



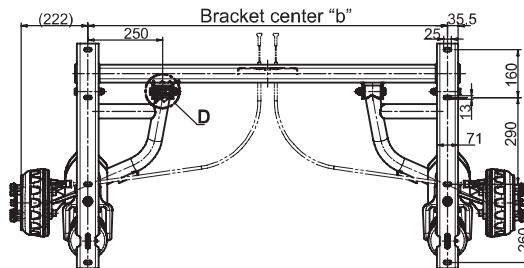
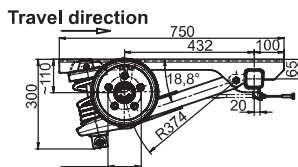
SGB 13



SGB 15



SGB 18

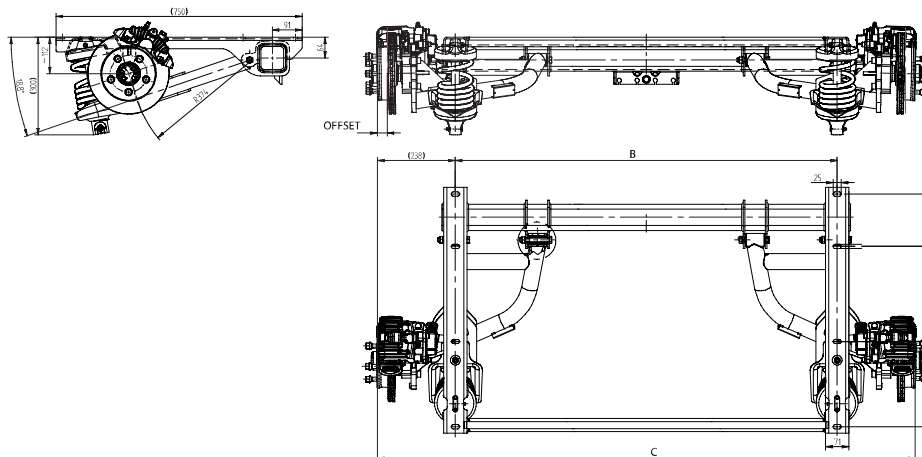




SPIRAL SPRING AXLES

SGB braked axle with disc brake

| Type | Load capacity | c (mm) | b (mm) | PCD (mm) | Offset (mm) | Art. number |
|-----------|---------------|-----------|-----------|-------------|----------------|-------------|
| SGB 18 MV | 1800 kg | 1876 | 1400 | Ø112x5 | 25-35 | 6AE615.001 |

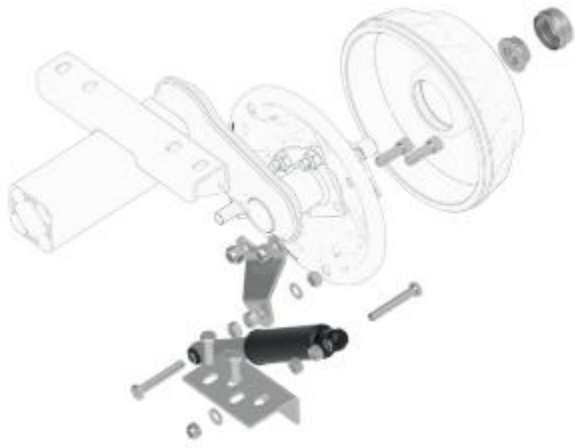




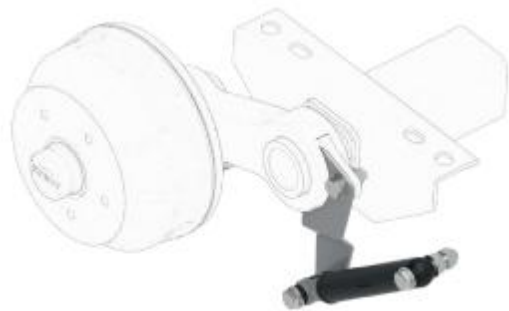
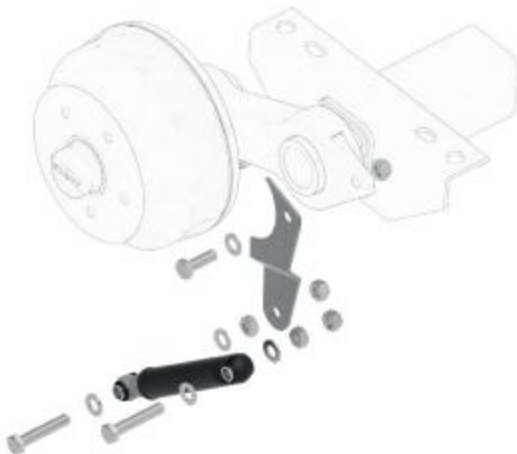
Shock absorber retrofit kit

| Type | Art. number |
|---------------------|-------------|
| for F 200x50 brakes | 6BJ424.001 |
| for F 200x40 brakes | 6BJ423.001 |

Retrofit instruction: SK60019



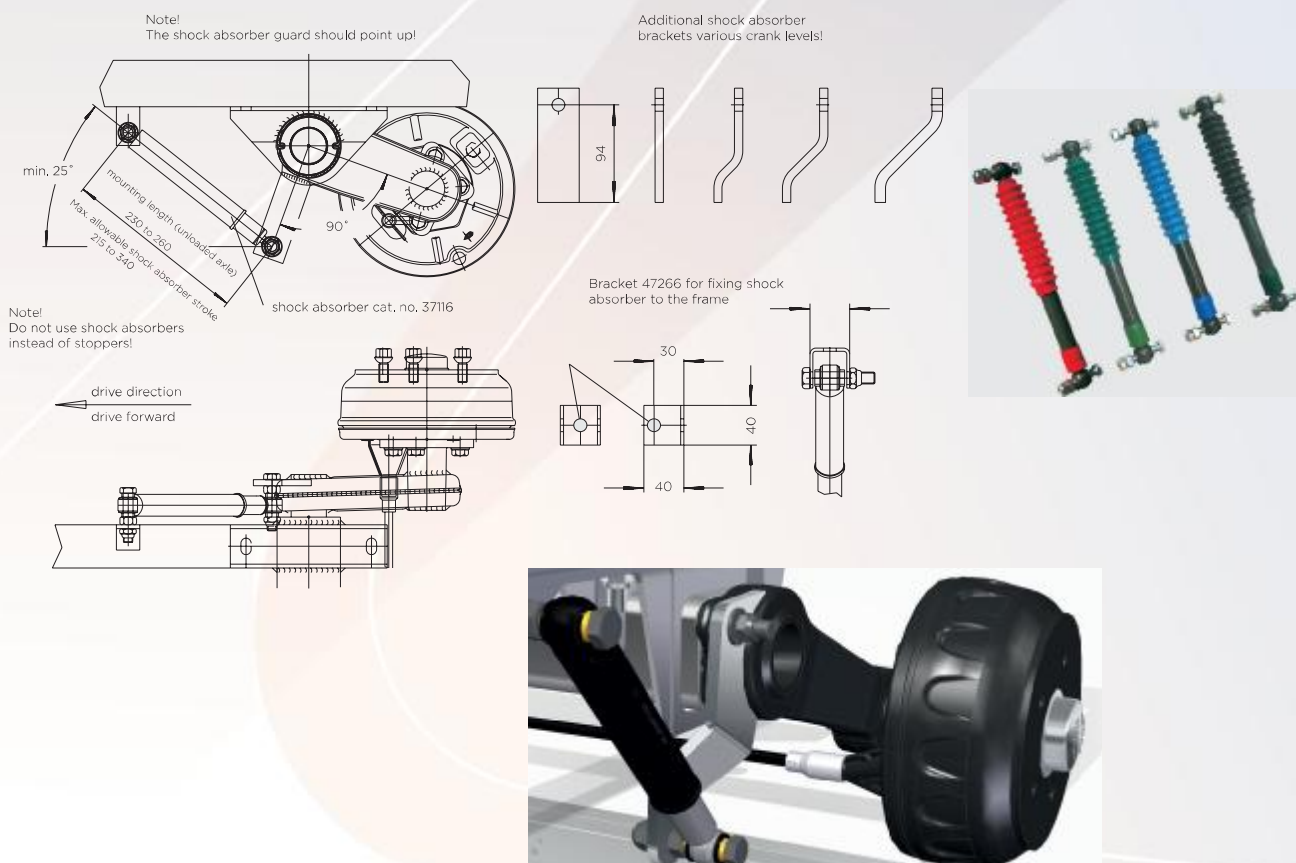
| Type | Art. number |
|-----------|-------------|
| VGB 8-13 | P290037101 |
| VGB 15-18 | P290037901 |



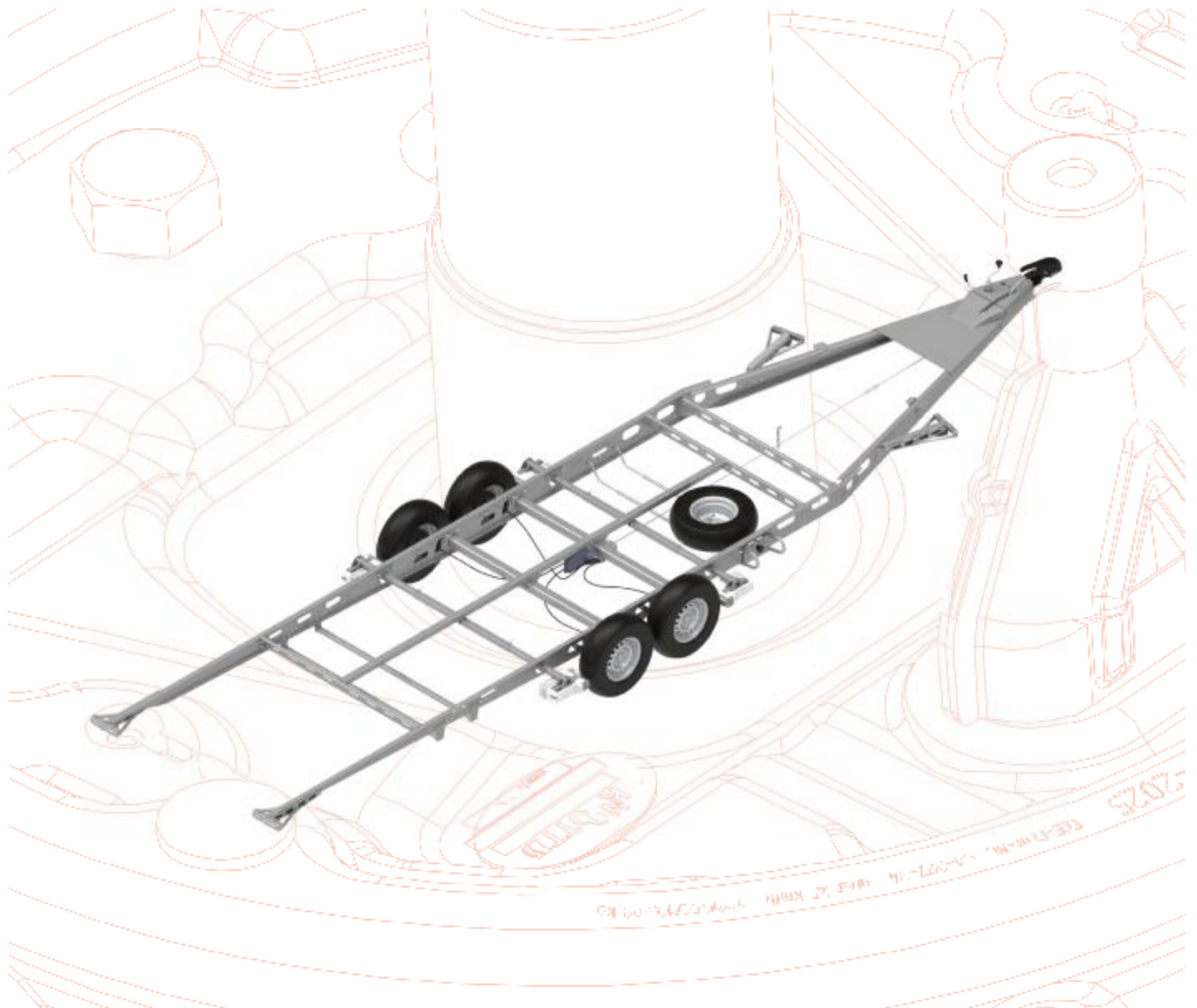
SHOCK ABSORBERS

Shock absorbers mounted on the bracket and frame are designed to improve drive comfort by absorbing vibrations from the suspension system.

Below is the method of mounting to the frame, installation length and maximum allowable stroke of the multi-purpose shock absorber.



- The shock absorbers available in our product offering come multi-purpose and pneumatic versions featuring different rigidity, which translates into different driving characteristics.
- Because of their different parameters, our shock absorbers can meet all sorts of customer requirements.
- For optimum performance, shock absorbers should be installed inclined at approximately 25 degrees to the drive direction.
- Standard Knott axles can be easily provided with a bracket to facilitate the installation of shock absorbers.
- As standard, shock absorbers are mounted in front of the axle; however, we also offer "inverted" shock absorbers, on special orders, to be mounted behind the axle.



CHASSIS

www.autoflex.hu

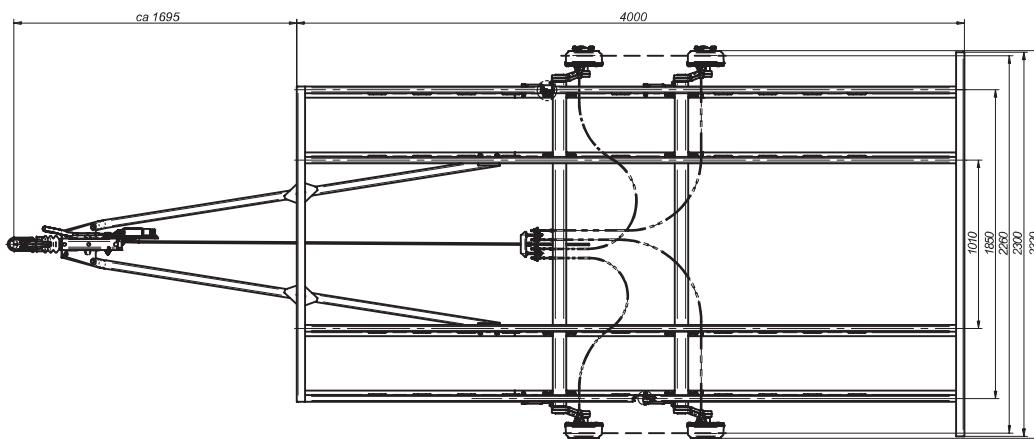
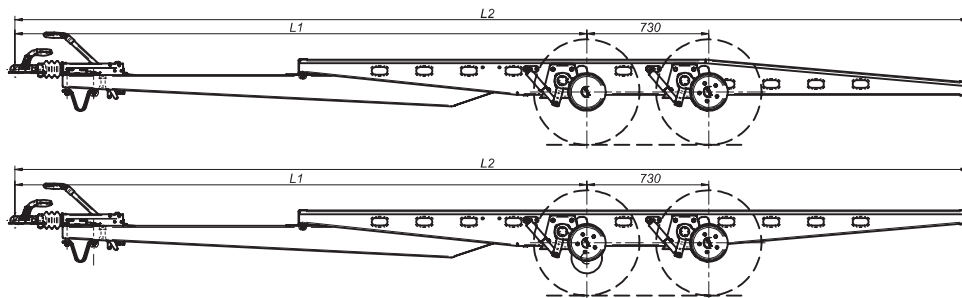




CHASSIS

LIGHT CONSTRUCTIONED SELF-SUPPORTING FRAME

| Type | L (mm) | L1 (mm) | L2 (mm) | Own weight | Vertical load max. | Art. number | Version |
|---------|--------|---------|---------|------------|--------------------|-------------|---------|
| UT 2000 | 4000 | 3415 | 5695 | 295 kg | 2000 kg | 6A6721.001 | bolted |
| UT 2700 | 4000 | 3415 | 5695 | 305 kg | 2700 kg | 6A6722.001 | bolted |
| UT 3500 | 4000 | 2990 | 5270 | 671 kg | 3500 kg | 6B3011.001 | bolted |
| AT 2000 | 4000 | 3415 | 5695 | 295 kg | 2000 kg | 6A6723.001 | bolted |
| AT 2700 | 4000 | 3415 | 5695 | 305 kg | 2700 kg | 6A6724.001 | bolted |
| AT 3500 | 4000 | 2990 | 5270 | 663 kg | 3500 kg | 6B2861.001 | bolted |





CHASSIS FOR UTILITY TRAILERS

Load capacity: up to 2700 kg



Load capacity: up to 3500 kg



CHASSIS FOR CAR TRANSPORTER TRAILERS

Load capacity: up to 3500 kg



- Mountable version
- Lightweight design
- Hot-dip galvanised surface
- Mono and tandem version
- Connectable with optional body
- Easy assembly
- Little storage and carriage requirement
- As demanded mounted with shock-absorber





CHASSIS

CHASSIS FOR CARAVANS

Load capacity: up to 1500 kg



Load capacity: up to 2000 kg



Load capacity: up to 2700 kg





CARAVAN ACCESSORIES

Easy Driver caravan mover

| Type - basic | Art. number | Type - pro | Art. number |
|--------------------------------|-------------|------------------------------|-------------|
| Easy Driver basic 1,8 | 417346.001 | Easy Driver pro 1,8 | 417350.001 |
| Easy Driver basic 2,3 | 417347.001 | Easy Driver pro 2,3 | 417351.001 |
| Easy Driver basic 2,8 - tandem | 417348.001 | Easy Driver pro 2,8 - tandem | 417352.001 |
| Easy Driver basic 3,1 - tandem | 417349.001 | Easy Driver pro 3,1 - tandem | 417353.001 |



Spare wheel holder for caravans

Art. number: 421241.001



Scissor jack set for caravans

Art. number: 424888.001



ETS Plus

| Load capacity | Art. number |
|----------------|-------------|
| 1000 - 1400 kg | 209200.001 |
| 1400 - 1800 kg | 209200.002 |
| 1800 - 2400 kg | 209200.003 |
| 3500 kg | 209200.004 |
| 1600 - 2100 kg | 209200.007 |
| 2100 - 2700 kg | 209200.008 |





CHASSIS

Overrun device cover for KFL 20-27 GFV type

| Type | Art. number |
|------------------------------|-------------|
| only cover | 6BC832.001 |
| with accessories | 6BC832.800 |
| with accessories | 6BC832.900 |
| for ETS LED | 6BJ078.001 |
| for ETS LED with accessories | 6BJ320.001 |

Material:
Luran S778T



Overrun device cover for KFL 14 GF type

| Type | Art. number |
|------------------------------|-------------|
| only cover | 6BJ077.001 |
| with accessories | 6BJ318.800 |
| with accessories | 6BJ318.900 |
| for ETS LED | 6BJ078.001 |
| for ETS LED with accessories | 6BJ320.001 |





A-FRAME COVER

Art. number: 6BL084.001



OVERRUN DEVICE & A-FRAME COVER

Art. number: 6BC832 + 6BL084



TIRE CONTROL

Art. number: 210141



POWERBANK TRAILER

Imagine having a reliable source of power, wherever and whenever you need it. Introducing the revolutionary mobilepower bank trailer, your ultimate solution for power on the go. This 750 kg unbraked light trailer is not just portable, but also packed with impressive power. Inside, it houses four robust batteries, each offering 9.17 kWh of energy storage.

Perfect for road construction projects, it can be used as a light tower, providing illumination at a maximum height of 6 meters. Ensuring your work continues safely, even after dark. Heading to a vacation house where electricity isn't available? No problem. This power bank trailer ensures you have all the comforts of home, no matter how remote your getaway is. Need to charge multiple devices? This trailer has you covered. From smartphones to power tools, it's an essential companion for any situation.

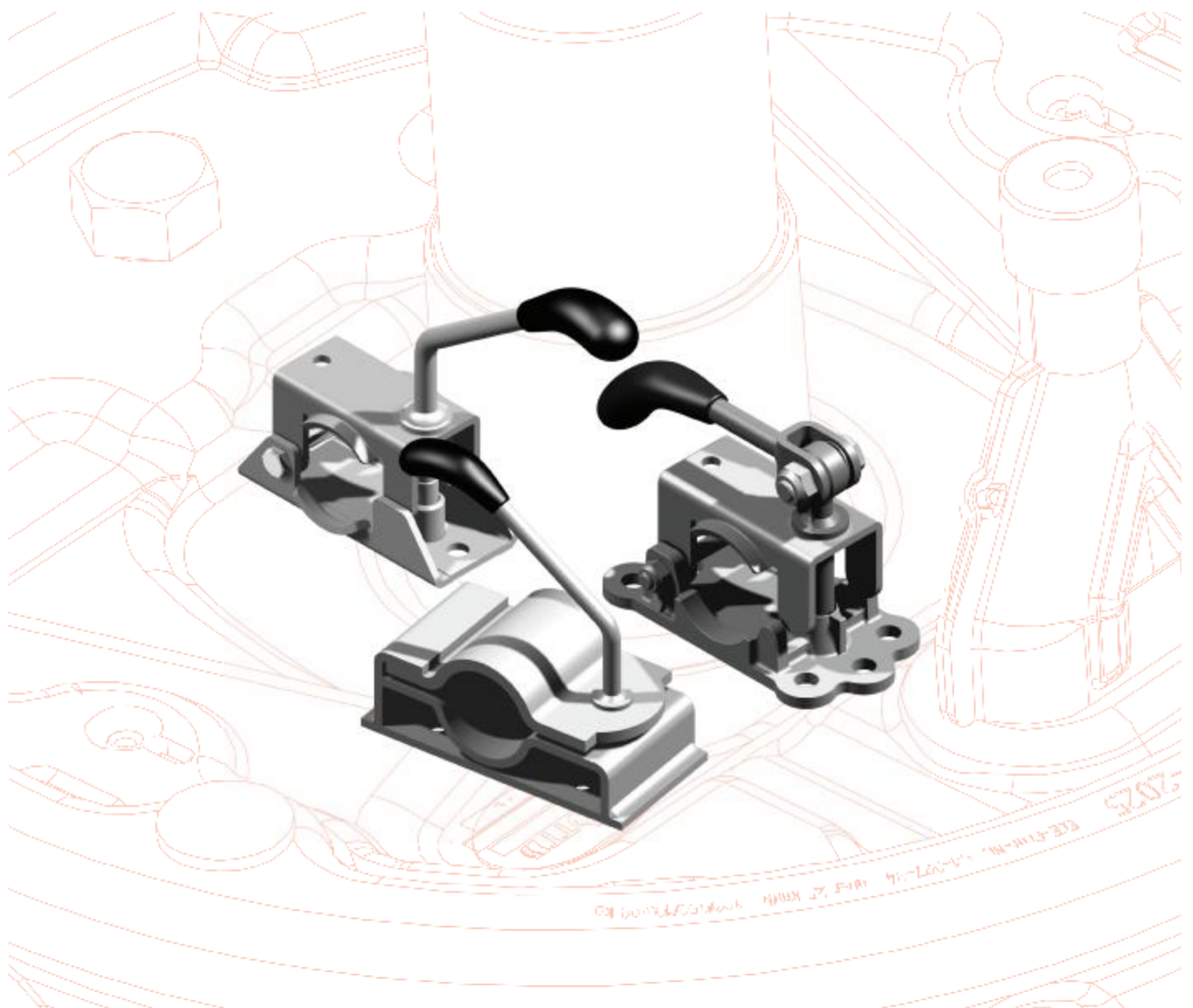


Charging the trailer is simple and versatile. It can be charged from both 110V and 230V outlets. The built-in charger has a capacity of 3.3 kW, allowing the batteries to be fully charged in just 3 hours.

Whether it's for road construction, a peaceful retreat, or charging your essential devices, the mobile power bank trailer is your dependable source of power. Bringing energy independence to wherever you are. Discover the possibilities with the mobile power bank trailer. Contact us today to learn more.

**YOUTUBE
VIDEO**





CLAMP

www.autoflex.hu



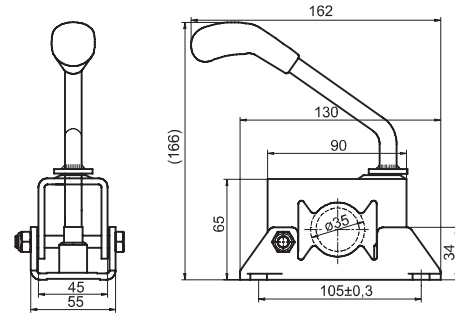


CLAMP

JOCKEY WHEEL CLAMP

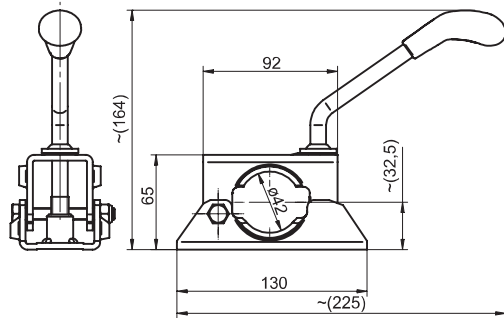
LB 35

| Type | Load capacity (max.) | Art. number |
|-------|----------------------|-------------|
| LB 35 | 75 kg | 6F0036.001 |



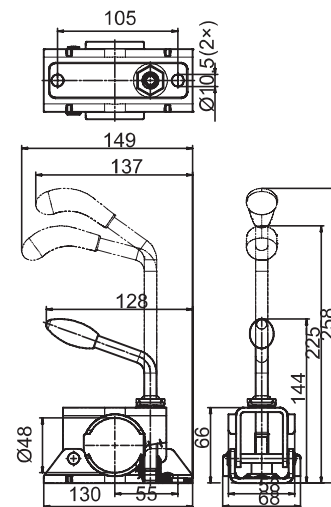
LB 42

| Type | Load capacity (max.) | Art. number |
|-------|----------------------|-------------|
| LB 42 | 125 kg | 6F5151.001 |



LB 48

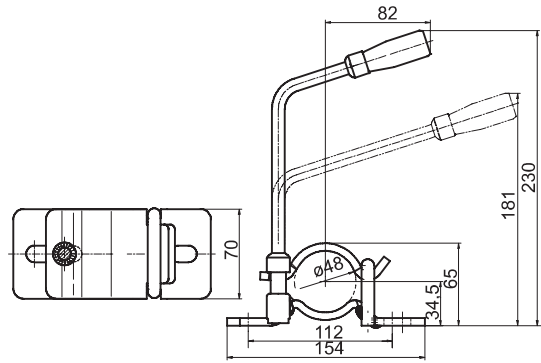
| Type | Load capacity (max.) | Art. number |
|-------|----------------------|-------------|
| LB 48 | 100 kg | 6X1097.001 |
| LB 48 | 100 kg | 6X1097.103 |





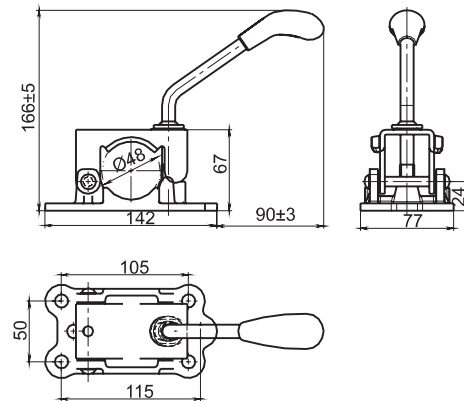
LB 48

| Type | Load capacity (max.) | Art. number |
|-------|----------------------|-------------|
| LB 48 | 200 kg | 6F0081.001 |



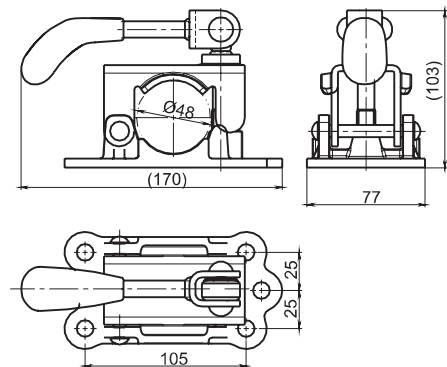
LBG 48

| Type | Load capacity (max.) | Art. number |
|--------|----------------------|-------------|
| LBG 48 | 250 kg | 6F5121.001 |



LBG 48

| Type | Load capacity (max.) | Art. number |
|--------|----------------------|-------------|
| LBG 48 | 200 kg | 6F5013.001 |

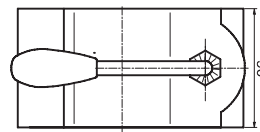
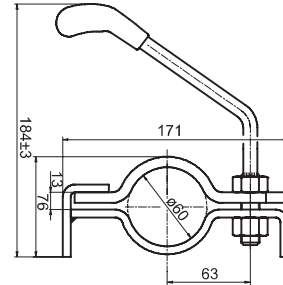




CLAMP

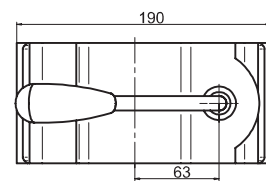
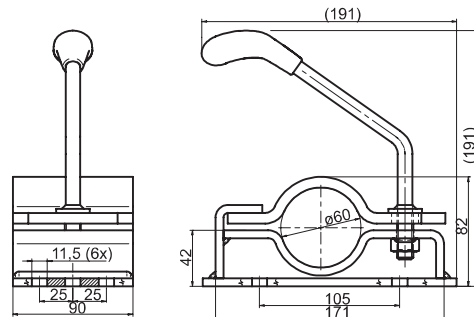
LB 60

| Type | Load capacity (max.) | Art. number |
|-------|----------------------|-------------|
| LB 60 | 280 kg | 6F0109.001 |



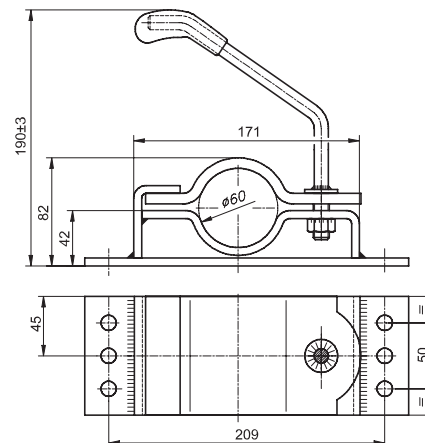
LB 60 T1

| Type | Load capacity (max.) | Art. number |
|----------|----------------------|-------------|
| LB 60 T1 | 280 kg | 6F5047.001 |



LB 60 T2

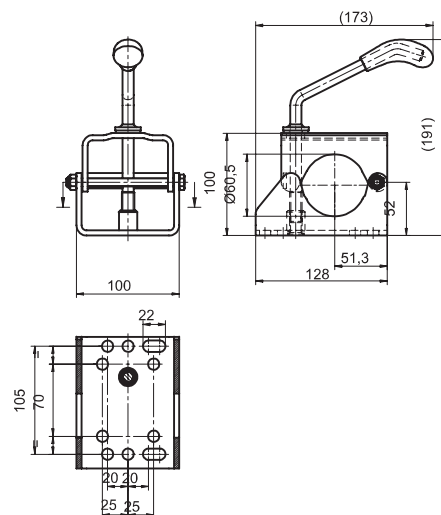
| Type | Load capacity (max.) | Art. number |
|----------|----------------------|-------------|
| LB 60 T2 | 280 kg | 6F0010.001 |





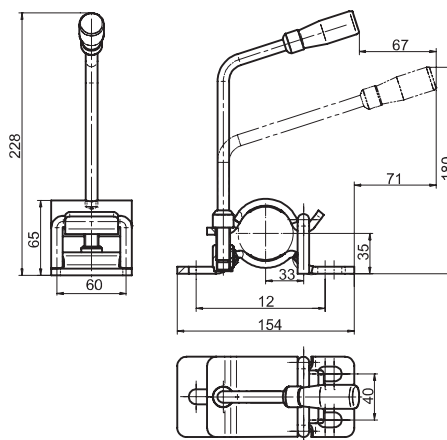
KLE 60

| Type | Load capacity (max.) | Art. number |
|--------|----------------------|-------------|
| KLE 60 | 250 kg | 6F0095.001 |



LBH 48 for corded tube

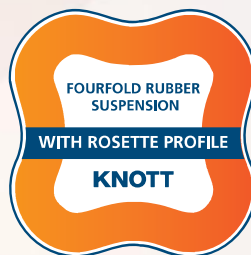
| Type | Load capacity (max.) | Art. number |
|---------|----------------------|-------------|
| LB H 48 | 350 kg | 6F5052.001 |

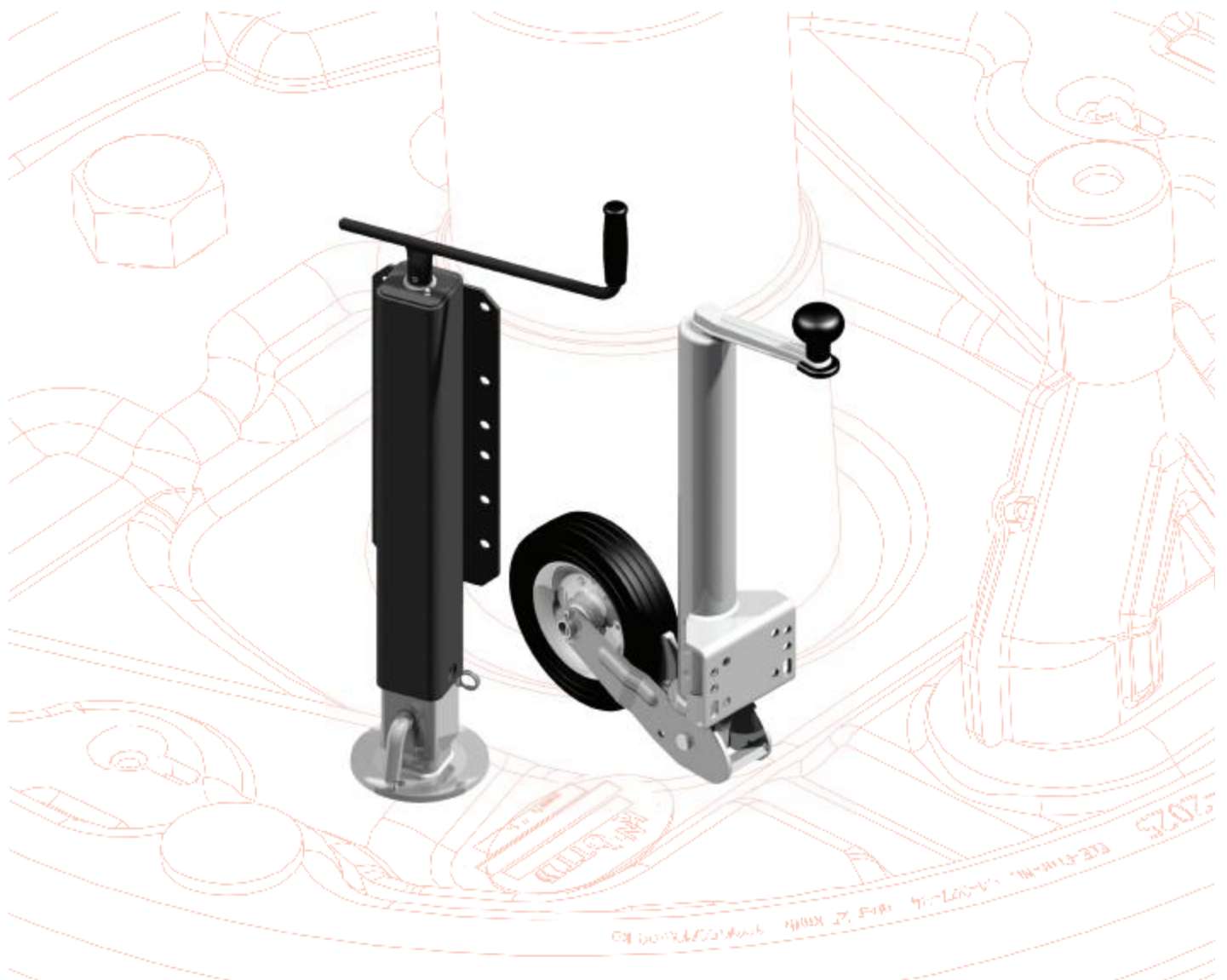


4 COMFORT AXLE PAVES THE WAY FOR YOU

A precision profiled inner member located within four rubber cords that ensures the optimum ride suspension characteristics.

**You transport your load safely, gently and carefree.
So that you are on the move with pleasure instead of burden.**





PROP STAND & JOCKEY WHEEL

www.autoflex.hu





JOCKEY WHEEL AND PROP STAND

The product can be used:

- for stabilizing the trailer nose
- as a stay-bar for trailers
- with jockey wheel to move the trailer easily

Surface treatment:

- hot-dip galvanization
- galvanization

Vertical load capacity:

- 50 kg to 1500 kg

Advantages of the product:

- low maintenance cost
- swing-away option for comfortable and safe use
- the wheel is provided with needle roller or sliding bearing
- steel plate driving level with bearing and a d=5 mm pin
- automatic or fixed jockey wheel
- rotatable up to 90°
- universal crank

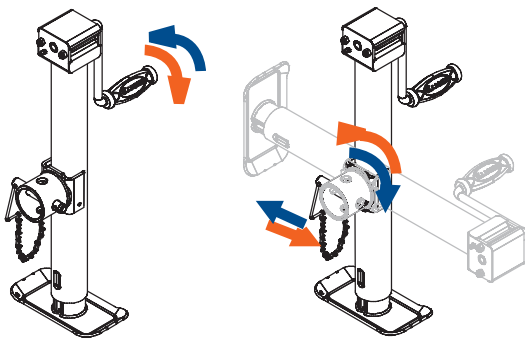
Operation of the swing-away jack

Thanks to the swing-away jack, traveling with jockey wheel and prop stand (jack) is safer.

Before traveling with your trailer put the jack into horizontal position. This way the wheel is not able to touch the ground that prevents fraying. When the vehicle is not moving put the jack into vertical position. In both vertical and horizontal positions, the plunger must be securely positioned in the mating hole of the mounting bracket.

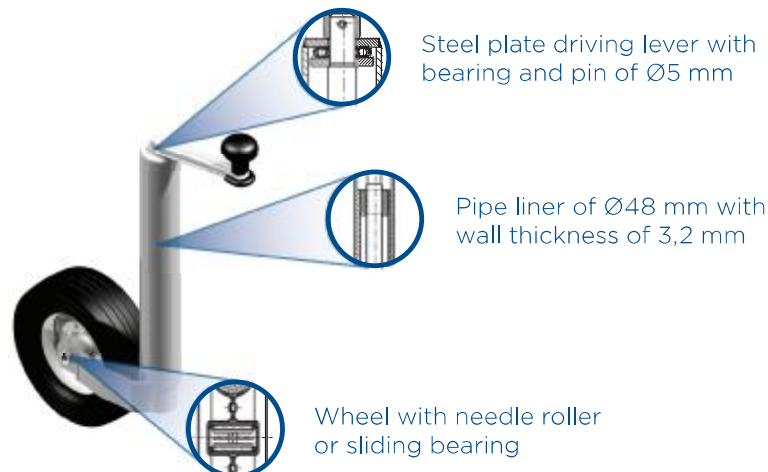
Operating instructions of the swing-away jack:

1. Secure the trailer.
2. Pull the plunger pin (U-bolt) out of the opening.
3. Swivel the jack.
4. Rotate either left or right until the plunger pin snaps properly into the hole of the mounting bracket.



For further information about the Autoflex jockey wheel assembly and operating instructions please ask our contact person.

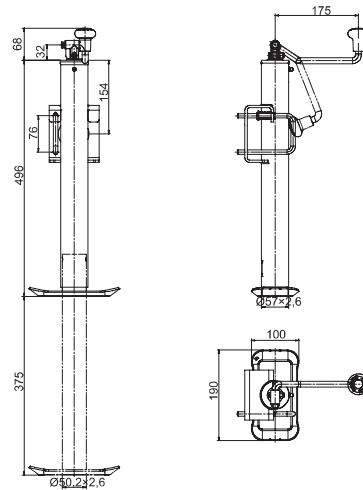
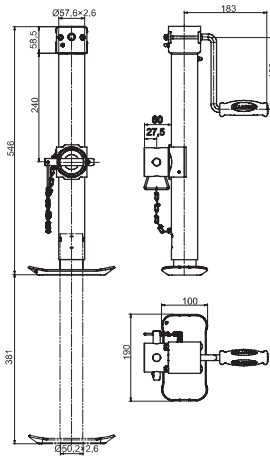
STANDARD JOCKEY WHEELS WITH GREAT ADVANTAGES



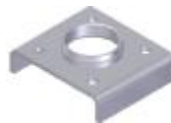


PROP STAND

| N° | Model | Vertical load (max.) | Note | Art. number |
|----|--------|----------------------|--|-------------|
| 1 | TTL 57 | 900 kg | hot-dip galvanized + KTL + powder coated | 6D7917.001 |
| 2 | TTL 57 | 900 kg | hot-dip galvanized + KTL + powder coated | 6D7907.001 |
| 3 | TTL 57 | 900 kg | hot-dip galvanized + KTL + powder coated | 6D7931.001 |
| 4 | TTL 57 | 900 kg | hot-dip galvanized + KTL + powder coated | 6D7975.001 |
| 5 | TTL 48 | 900 kg | hot-dip galvanized + KTL + powder coated | 6D8608.001 |



Mounting tube
Art. number: 6D8080.001



Mounting bracket
Art. number: 6D7986.001

For these prop stands the mounting bracket and the tube must be ordered separately!

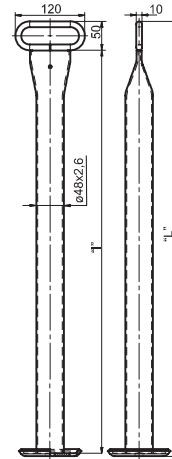




PROP STAND & JOCKEY WHEEL

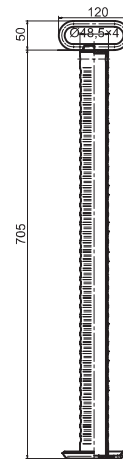
TL 48

| L (mm) | I (mm) | Surface treatment | Art. number |
|--------|--------|--------------------|-------------|
| 590 | 535 | FeZn12 | 6D5749.001 |
| 590 | 535 | hot-dip galvanized | 6D5749.002 |
| 710 | 655 | FeZn12 | 6D5749.003 |
| 710 | 655 | hot-dip galvanized | 6D5749.004 |
| 900 | 845 | FeZn12 | 6D5749.005 |
| 900 | 845 | hot-dip galvanized | 6D5749.006 |
| 550 | 495 | FeZn12 | 6D5749.007 |
| 550 | 495 | hot-dip galvanized | 6D5749.008 |
| 650 | 595 | FeZn12 | 6D5749.009 |
| 650 | 595 | hot-dip galvanized | 6D5749.010 |
| 750 | 695 | FeZn12 | 6D5749.011 |
| 750 | 695 | hot-dip galvanized | 6D5749.012 |
| 850 | 795 | FeZn12 | 6D5749.013 |
| 850 | 795 | hot-dip galvanized | 6D5749.014 |



TL 48 H

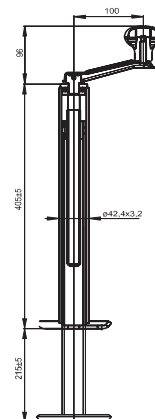
| Model | Vertical load (max.) | Art. number |
|---------|----------------------|-------------|
| TL 48 H | 280 kg | 6D6585.001 |



Note: locking with clamp

TTL 42 Telescopic prop stand

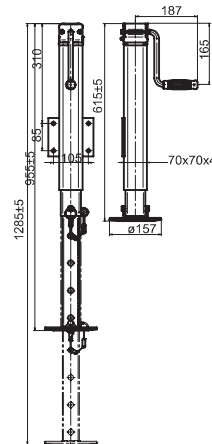
| Model | Vertical load (max.) | Art. number |
|--------|----------------------|-------------|
| TTL 42 | 250 kg | 6D5981.001 |





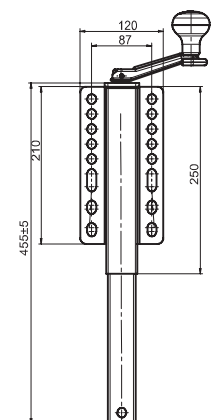
HEAVY DUTY TELESCOPIC PROP STAND TTLS 70

| Model | Vertical load (max.) | Art. number |
|---------|----------------------|-------------|
| TTLS 70 | 1000 kg | 6D6334.001 |



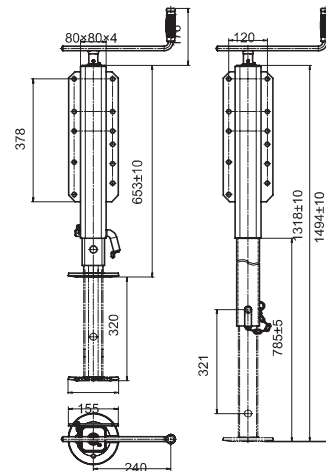
TTL 205x120

| Model | Vertical load (max.) | Art. number |
|-------------|----------------------|-------------|
| TTL 205x120 | 1500 kg | 6D7877.001 |



TTL 80

| Model | Vertical load (max.) | Art. number |
|--------|----------------------|-------------|
| TTL 80 | 1500 kg | 6D6888.001 |



Note: fixation with bolt

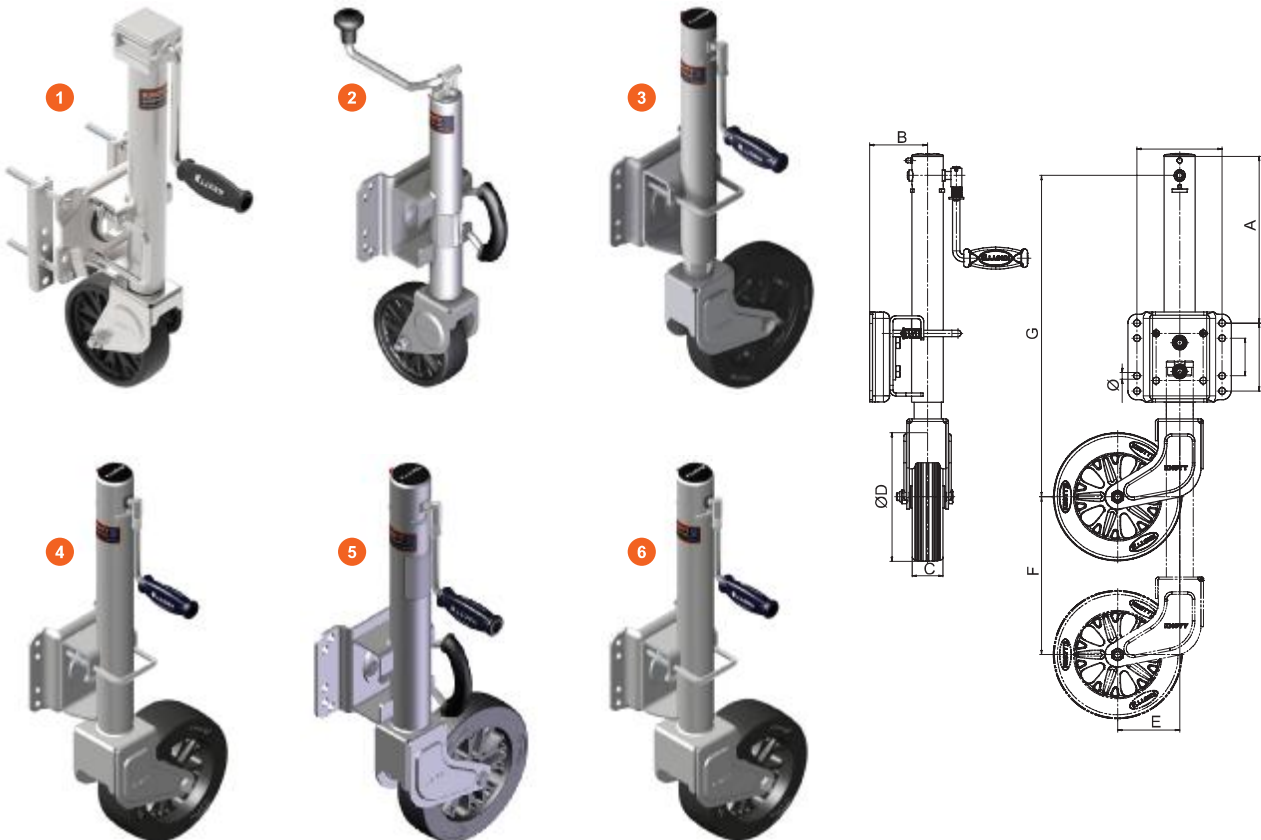




SWING-AWAY SWIVEL JACK

| N° | Model | Load capacity | Lifting height (mm) | Handle | Art. number |
|----|---------------|---------------|---------------------|----------|-------------|
| 1 | TK 48-150/47M | 500 kg | 215 | sidewind | 6D8374.001 |
| 2 | TK 48-150/47M | 500 kg | 211 | top | 6D8224.001 |
| 3 | TK 51-210/50M | 500 kg | 254 | sidewind | 6D9156.001 |
| 4 | TK 57-210/50M | 500 kg | 200 | sidewind | 6D8116.001 |
| 5 | TK 57-210/50M | 500 kg | 255 | sidewind | 6D8168.001 |
| 6 | TK 57-210/75M | 550 kg | 300 | sidewind | 6D7706.001 |

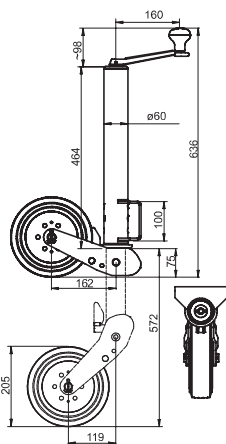
| Size (mm) | 6D8374 | 6D8224 | 6D9156 | 6D8116 | 6D8168 | 6D7706 |
|-----------|--------|--------|--------|--------|--------|--------|
| A | 274 | 166,5 | 192 | 200 | 277,5 | 322 |
| B | 122,5 | 86 | 95 | 91 | 90 | 99 |
| C | 47 | 47 | 50 | 50 | 50 | 75 |
| Ø D | 153 | 153 | 210 | 212 | 212 | 210 |
| E | 52 | 52 | 102 | 102 | 102 | 102 |
| F | 216 | 211 | 254 | 200 | 255 | 300 |
| G | 467 | 447 | 530 | 443 | 506 | 570 |





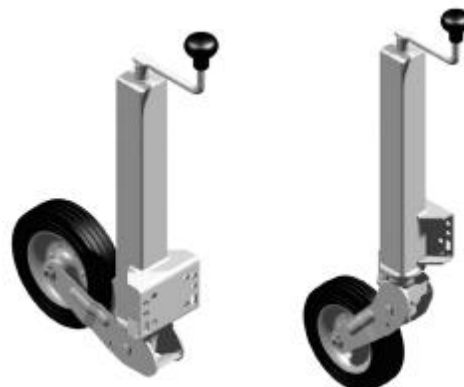
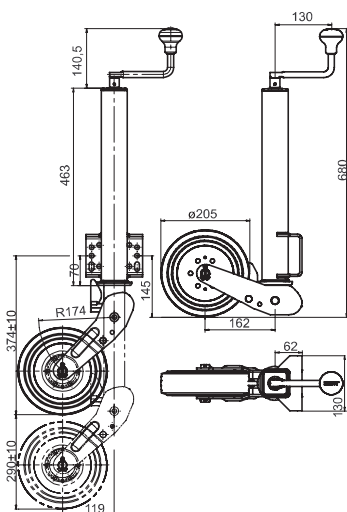
RETRACTABLE JOCKEY WHEEL FOR TRAILERS AND CARAVANS ATK 60-205/50 AC

| Type | Vertical load (max.) | Wheel material | Wheel size | Art. number |
|------------------|----------------------|--|------------|-------------|
| ATK 60-200/60 AC | 150 kg | solid rubber + sheet metal rim + slide bearing | 205x50 | 6X1699.003 |



ATKS 60-205/50 AC

| Type | Vertical load (max.) | Wheel material | Wheel size | Art. number |
|-------------------|----------------------|--|------------|-------------|
| ATKS 60-205/50 AC | 150 kg | solid rubber + sheet metal rim + slide bearing | 205x50 | 6D5338.001 |

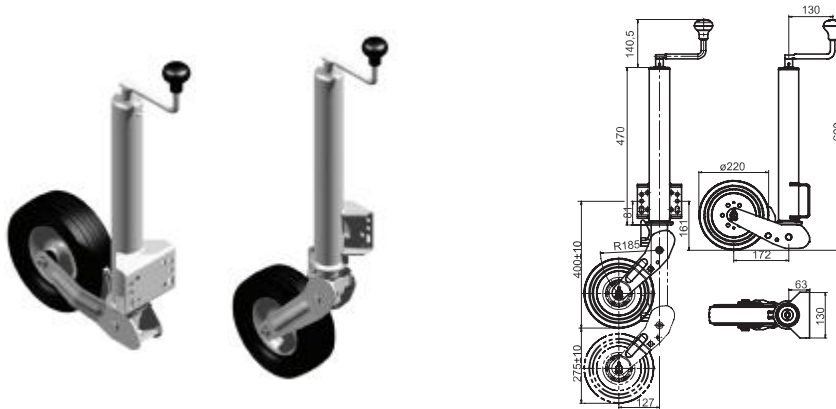




PROP STAND & JOCKEY WHEEL

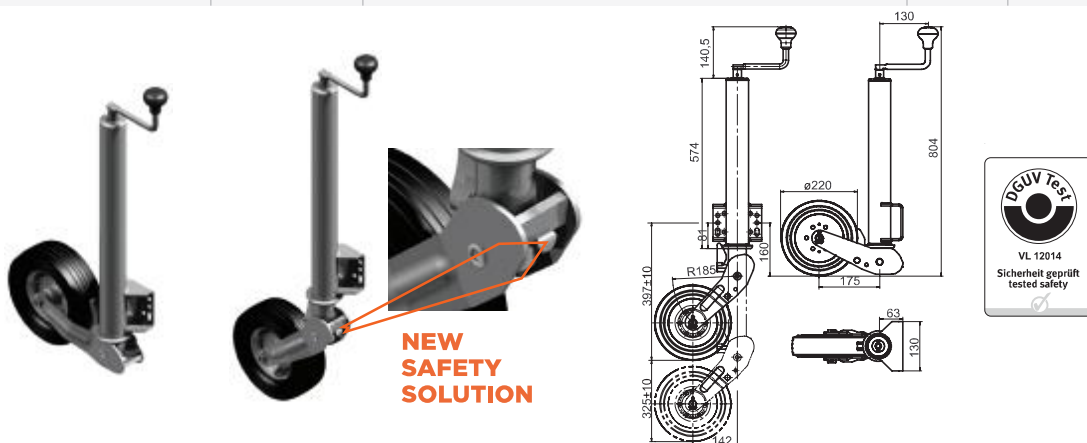
ATK 60-220/70 AC

| Type | Vertical load (max.) | Wheel material | Wheel size | Art. number |
|------------------|----------------------|---|------------|-------------|
| ATK 60-220/70 AC | 150 kg | solid rubber + sheet metal rim + needle bearing | 220x70 | 6D5345.001 |



AUTOMATIC JOCKEY WHEEL WITH SAFETY FUNCTION ATK 60S

| Type | Vertical load (max.) | Wheel material | Wheel size | Art. number |
|-------------------|----------------------|---|------------|-------------|
| ATK 60S-220/70 AC | 250 kg | solid rubber + sheet metal rim + needle bearing | 220x70 | 6D8539.001 |
| ATK 60S-210/75 AC | 500 kg | solid rubber + sheet metal rim + needle bearing | 210x75 | 6D8499.001 |
| ATK 60S-210/75 M | 500 kg | solid rubber + sheet metal rim + needle bearing | 210x75 | 6D7933.001 |



ATK 60S jockey wheel supports any type of drawbar for mono or tandem trailer with max. of 3500 kg load capacity. Through an innovative design this jockey wheel prevents accidental collapse of the swing arm thus avoiding risk of injury. The swing arm can be folded only in unloaded state.





OPERATION - AND MAINTENANCE INSTRUCTIONS ATK 60S SAFETY AUTOMATIC - JOCKEY WHEEL

Connecting the trailer

The jockey wheel must face the rear of the trailer. Lower the drawbar by reeling in the jockey wheel until the ball coupling rests on the vehicle towing ball, until it locks up or is set at hitch height.

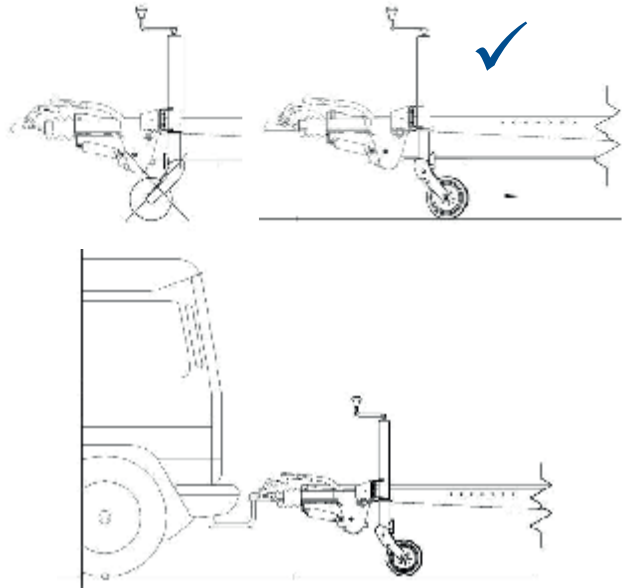
NOTES:

The safety automatic jockey wheel ATK 60S can only be cranked out completely when it is in no-load state, i.e. when in fully coupled condition.

If the folding mechanism is blocked by the incomplete unloading of the drawbar, it must not be cranked down violently.

The wheel must not touch the brake linkage otherwise it could impair the system operation.

- crank up the jockey wheel completely until the wheel locks
- tighten the crank to secure wheel, preventing accidental operation.



Defining the lifting capacity

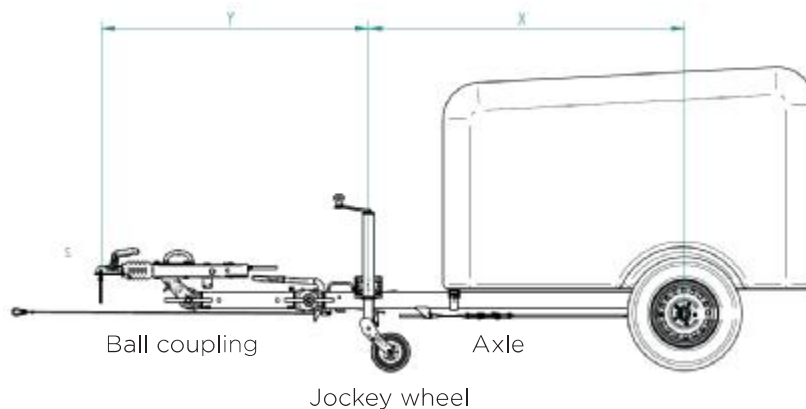
Defining the lifting capacity is sufficient before installing the selected jockey wheel.

The lifting capacity must be sufficient for the application.

The required lifting capacity must be calculated as follows:

$$\text{Lifting capacity} = \frac{(x + y) \times S}{X}$$

- S: load
- x: distance jockey wheel - axle
- y: distance ball coupling - jockey wheel
- S: maximum permitted static load on the coupling point



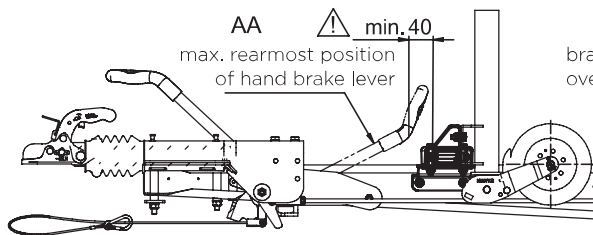


CROSS MEMBER PACKAGE FOR UNIVERSAL JOCKEY WHEEL DRILLING TEMPLATE

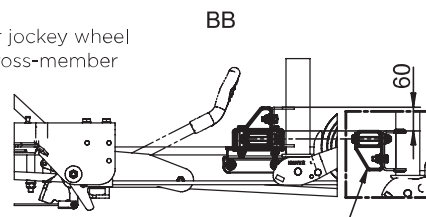
Art. number: 209213.001



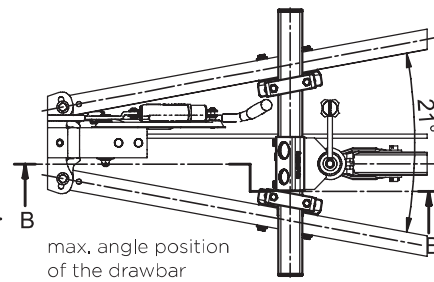
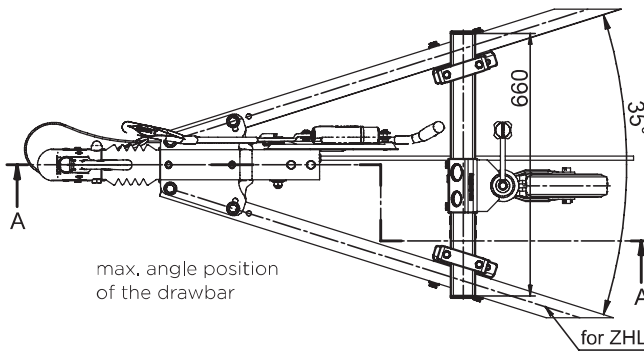
Art. number: 208765.001



bracket for jockey wheel over the cross-member



bracket for jockey wheel optionally also possible under the cross-member



for ZHL 15, 20, 27, 35





TELESCOPIC JOCKEY WHEELS FOR TRAILERS AND CARAVANS

| Type | Vertical load (max.) | Wheel material | Wheel size | Art. number |
|-------------------|----------------------|---|------------|-------------|
| TK 35-200/40 M | 75 kg | solid rubber + plastic rim + slide bearing | 200x40 | 6D5757.002 |
| TK 35-200/40 AC | 75 kg | solid rubber + sheet metal rim + slide bearing | 200x40 | 6D5758.002 |
| TK 42-200/40 M | 100 kg | solid rubber + plastic rim + slide bearing | 200x40 | 6D5802.001 |
| TK 42-200/40 AC | 100 kg | solid rubber + sheet metal rim + slide bearing | 200x40 | 6D5800.001 |
| TK 48-220/70 H AC | 300 kg | solid rubber + sheet metal rim + needle bearing | 220x70 | 6D5949.002 |
| TK 48-220/70 H/AC | 350 kg | solid rubber + sheet metal rim + needle bearing | 220x70 | 6D6146.001 |

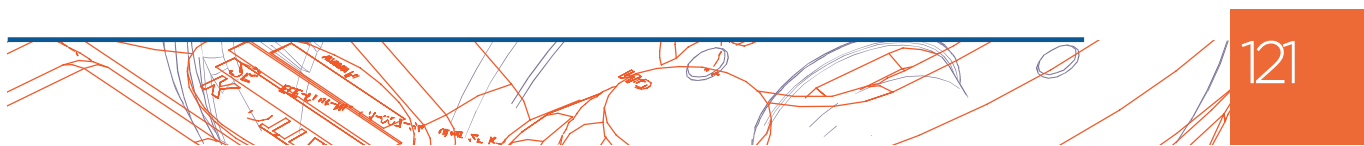
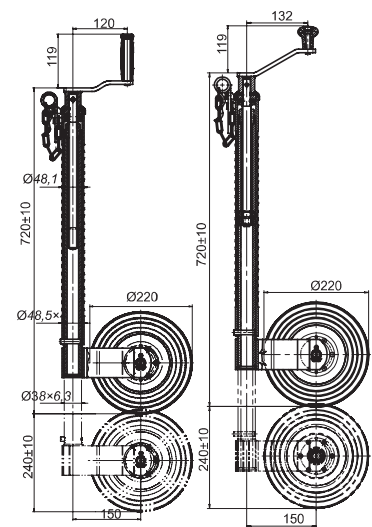
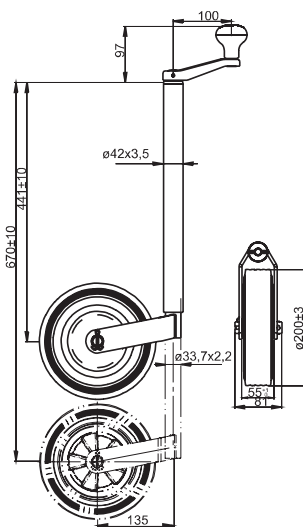
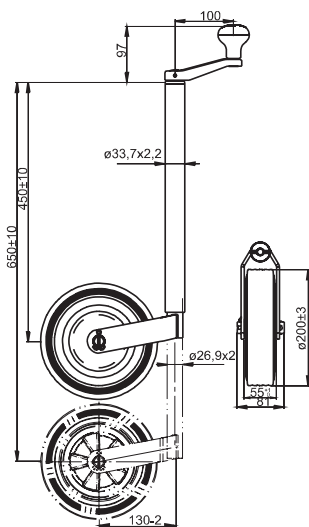
TK 35



TK 42



TK 48





PROP STAND & JOCKEY WHEEL

| Type | Vertical load (max.) | Wheel material | Wheel size | Art. number |
|-----------------|----------------------|--|------------|-------------|
| TK 48-200/50 AC | 150 kg | solid rubber + sheet metal rim + slide bearing | 200x50 | 6D8746.001 |
| TK 48-210/50 M | 150 kg | solid rubber + plastic rim + slide bearing | 210x50 | 6D8819.001 |
| TK 48-200/50 AC | 150 kg | solid rubber + sheet metal rim + slide bearing | 200x50 | 6D8823.001 |

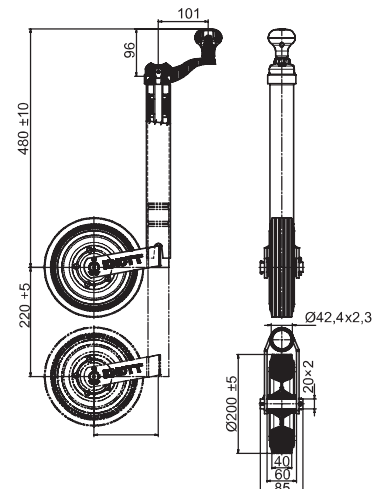
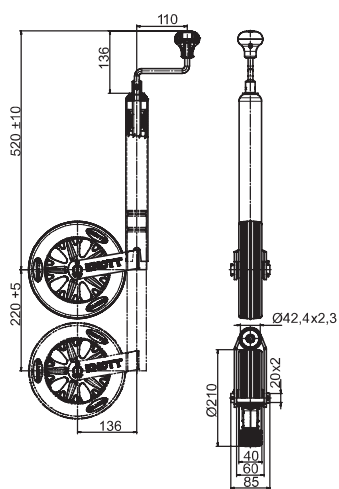
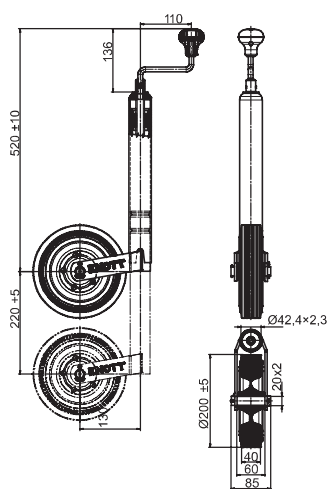
TK 48-200/50 AC



TK 48-210/50 M



TK 48-200/50 AC

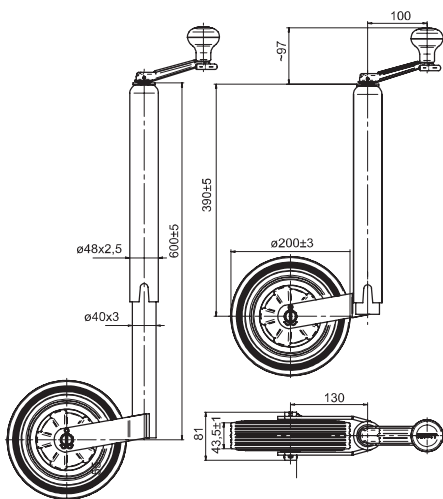


PROP STAND & JOCKEY WHEEL

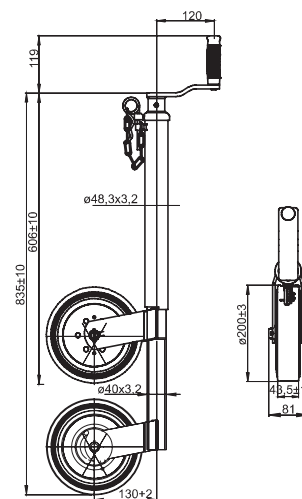


| Type | Vertical load (max.) | Wheel material | Wheel size | Art. number |
|-----------------|----------------------|---|------------|-------------|
| TK 48-200/40 M | 125 kg | solid rubber + plastic rim + slide bearing | 200x40 | 6D6307.001 |
| TK 48-200/40 AC | 125 kg | solid rubber + sheet metal rim + slide bearing | 200x40 | 6D5807.001 |
| TK 48-200/40 AC | 125 kg | solid rubber + sheet metal rim + needle bearing | 200x40 | 6D5915.004 |

TK 48-200/40



TK 48-200/40 AC

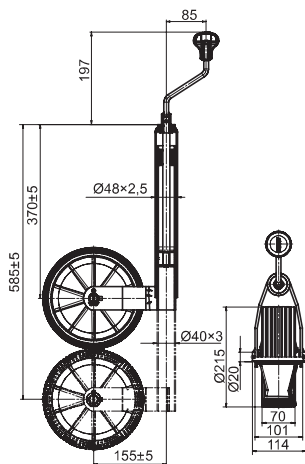




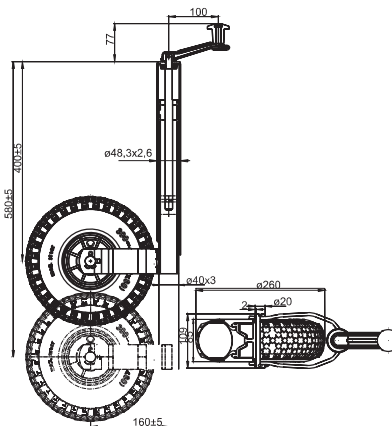
PROP STAND & JOCKEY WHEEL

| Type | Vertical load (max.) | Wheel material | Wheel size | Art. number |
|------------------------|----------------------|--|------------|-------------|
| TK 48-215/70 M | 125 kg | solid rubber + plastic rim + slide bearing | 215x70 | 6D5896.001 |
| TK 48-260/85 M | 125 kg | pneumatic wheel + plastic rim + slide bearing | 260x85 | 6D6368.001 |
| TK 48-260/85 AC | 125 kg | pneumatic wheel + sheet metal rim + needle bearing | 260x85 | 6D5353.001 |
| TK 48-225/65 AC E-Load | 125 kg | solid rubber + sheet metal rim + slide bearing | 225x65 | 424098.001 |

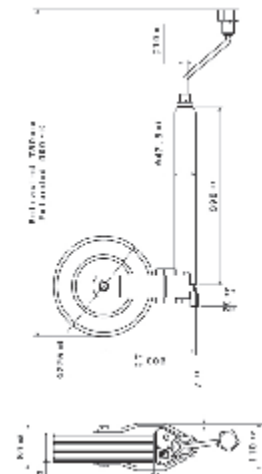
TK 48-215/70 M



TK 48-260/85



TK 48-225/65 AC E-Load



PROP STAND & JOCKEY WHEEL

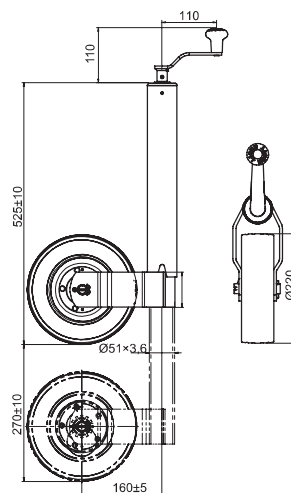
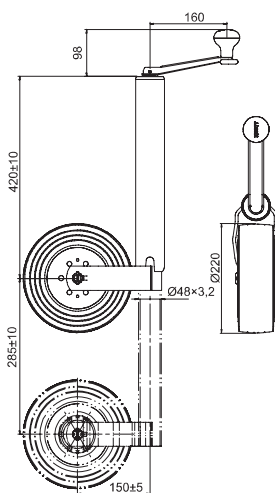


| Type | Vertical load (max.) | Wheel material | Wheel size | Art. number |
|-----------------|----------------------|--|------------|-------------|
| TK 60-220/70 AC | 150 kg | solid rubber + sheet metal rim + slide bearing | 220x70 | 6X1094.001 |
| TK 60-220/65 AC | 250 kg | solid rubber + sheet metal rim + slide bearing | 220x65 | 6X1699.002 |

TK 60-220/70 AC

TK 60-220/65 AC

TK 60-220/70 AC

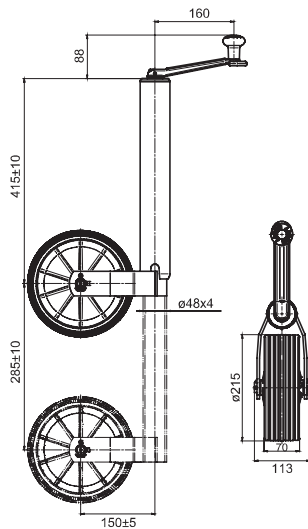




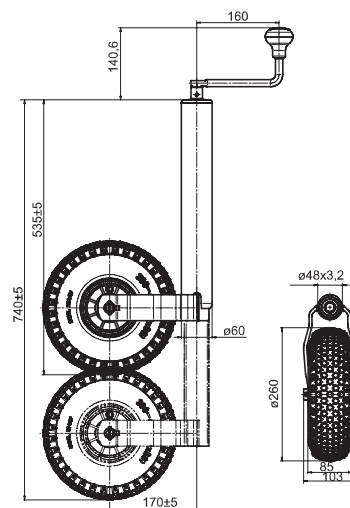
PROP STAND & JOCKEY WHEEL

| Type | Vertical load (max.) | Wheel material | Wheel size | Art. number |
|----------------|----------------------|---|------------|-------------|
| TK 60-215/70 M | 150 kg | solid rubber + plastic rim + slide bearing | 215x70 | 6D6153.001 |
| TK 60-260/85 M | 150 kg | pneumatic wheel + plastic rim + slide bearing | 260x85 | 6D6183.001 |

TK 60-215/70 M



TK 60-260/85 M



PROP STAND & JOCKEY WHEEL



| Type | Vertical load (max.) | Wheel material | Wheel size | Art. number |
|------------------|----------------------|---|------------|-------------|
| TKS 70-220/70 AC | 150 kg | solid rubber + sheet metal rim + needle bearing | 220x70 | 6D5406.001 |
| TK 70-280/65 AC | 500 kg | solid rubber + sheet metal rim + slide bearing | 280x65 | 6D6528.001 |

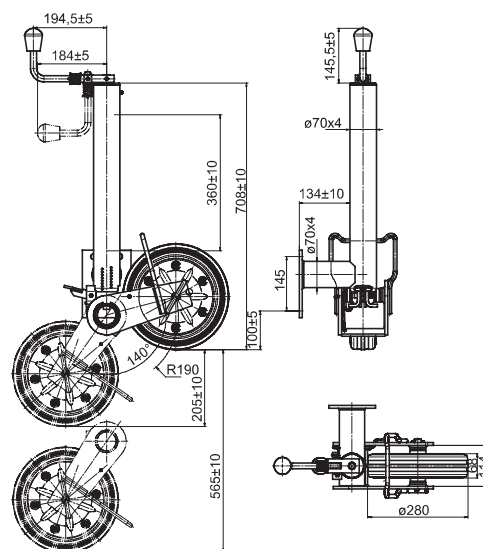
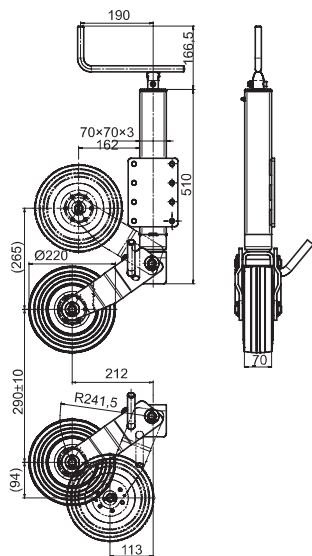
TKS 70-220/70 AC

TK 70-280/65 AC

square



round





PROP STAND & JOCKEY WHEEL

SUPPORT LEG FOR CARAVANS

Support plates for WHF

Art. numbers:
423344.001
424187.001

For information about the hole pattern please ask our sales person.



Surface treatment:

- hot-dip galvanization

Advantages of the product:

- stabilizes the trailer
- unloads the axle
- supports the trailer
- with range of application
- universal crank

The product can be used for:

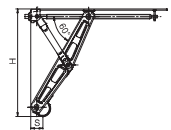
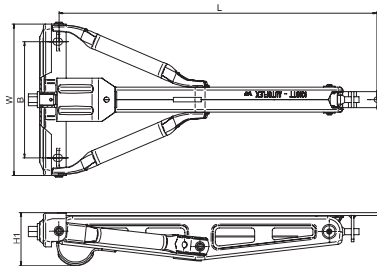
- trailers
- caravans
- horse trailers

Material:

- steel

WHF

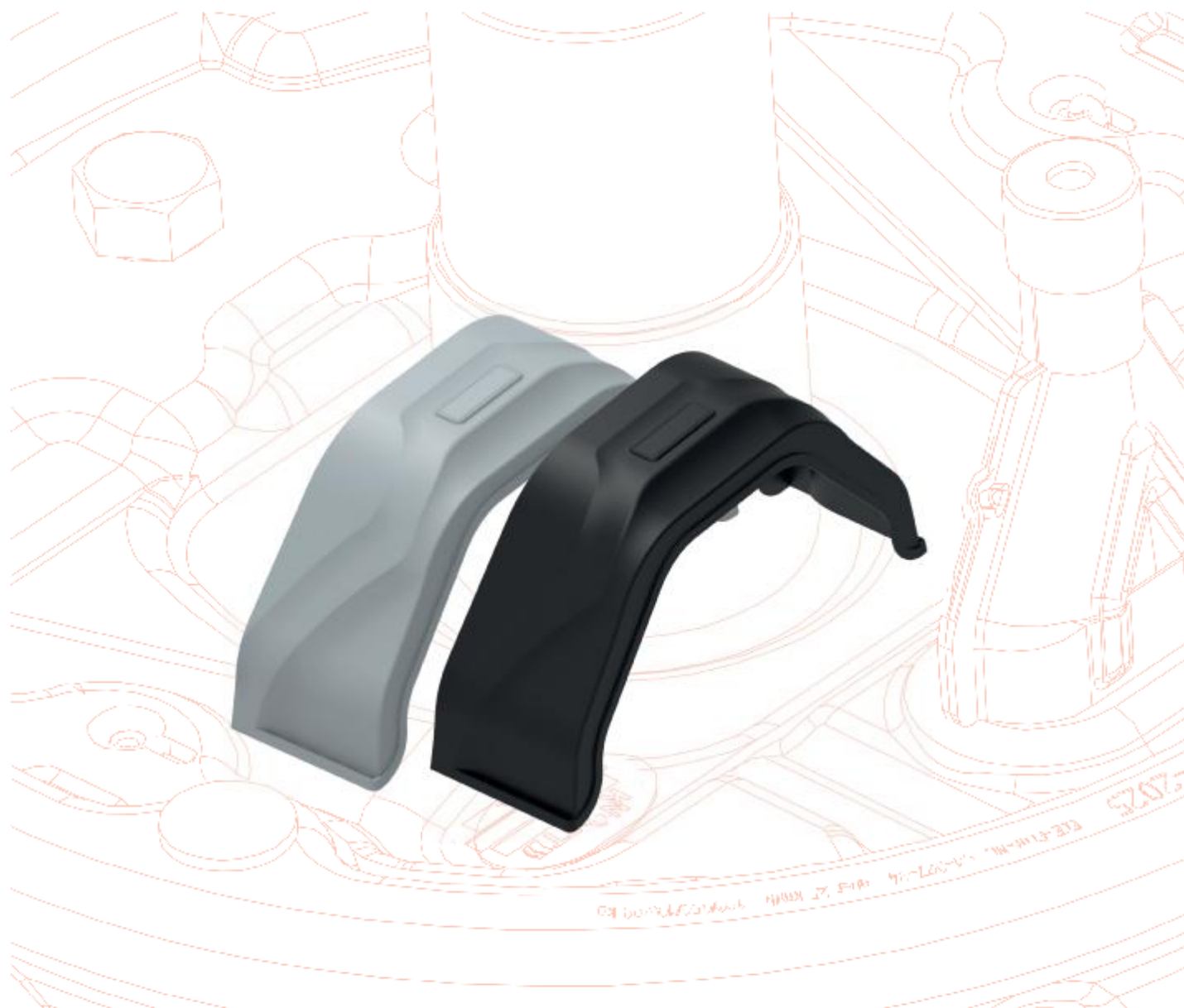
| Type | Vertical load (max.) | L (mm) | W (mm) | B (mm) | H1 (mm) | H (mm) | S (mm) | Art. number |
|-----------------|----------------------|--------|--------|--------|---------|--------|--------|-------------|
| WHF 001 | 900 kg | 568 | 280 | 215 | 97 | 457 | 115 | 6X1197.001 |
| WHF 002 | 1100 kg | 568 | 280 | 215 | 97 | 497 | 53 | 6X1197.002 |
| WHF 003 | 1100 kg | 597 | 280 | 215 | 97 | 497 | 57 | 6X1197.003 |
| WHF 004 | 1100 kg | 595,5 | 280 | 215 | 117 | 517 | 57 | 6X1197.004 |
| WHF 005 | 1100 kg | 568 | 280 | 215 | 97 | 497 | 56 | 6X1197.005 |
| WHF 006 | 1100 kg | 597 | 280 | 215 | 98 | 497 | 57 | 6D9306.001 |
| WHF 007 | 1100 kg | 561,5 | 280 | 215 | 100 | 498 | 50 | 6X1197.010 |
| Leveling system | 1000 kg | 666 | 280 | 218 | 113 | 508 | - | 424908 |



WHF + EXTENDER

| Type | Vertical load (max.) | X (mm) | Art. number |
|---------------------------|----------------------|--------|-------------|
| WHF 007 + 6D9201 extender | 1100 kg | 150 | 6D9203.001 |
| WHF 007 + 6D9201 extender | 1100 kg | 230 | 6D9204.001 |
| WHF 007 + 6D9201 extender | 1100 kg | 270 | 6D9205.001 |
| WHF 007 + 6D9201 extender | 1100 kg | 340 | 6D9206.001 |





MUDGUARD

www.autoflex.hu



TRAILER BODY

Art. number: 6X1048.007

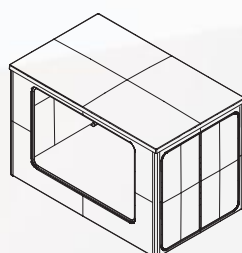
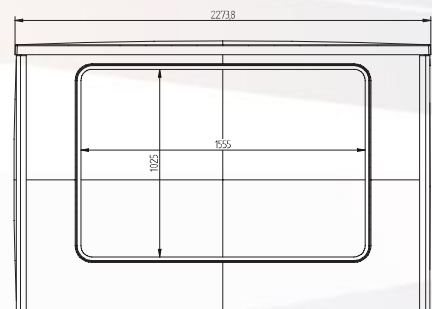
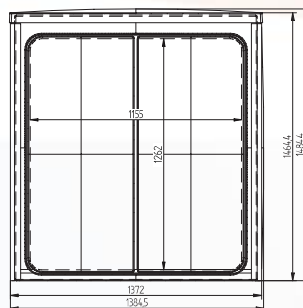
Lightweight, multi-purpose single-axle trailer without brakes.

- Built on a welded, hot-dip galvanized platform base
- Newest coupling head design
- Torsion spring suspension
- Anti-slip impregnated plywood floor
- Stainless steel hardware, door frame and locks
- 2 rear doors
- Support wheel
- 12V electrical system
- 7-pole adapter
- 13" wheel



Height H: 1484 mm
Width B: 1384 mm
Length S: 2273 mm

Own weight: 325 kg
Material: Glass-Fiber
Reinforced Polyester





MUDGUARD

Mounting position of mudguard and wheel



This is the correct mounting position of the wheel and mudguard when the trailer is not loaded. This should provide a clearance of 110–120 mms.



Under 1x or 2x load this clearance will change, but still ensures enough space for the wheel.



1x load

2x load

Please note that you gain a longer lifespan for your trailer, if you don't overload it!

Steel mudguard

- Materials:
 - stainless steel
 - Sendzimir – galvanized steel
- **Weatherproof construction!**
- Profile for sidewall mounting: 12/40
- Radius: 12



Plastic mudguard

- Materials:
 - high quality plastic**
- Profile for sidewall mounting: 6/25; 12/37,5; 12/40



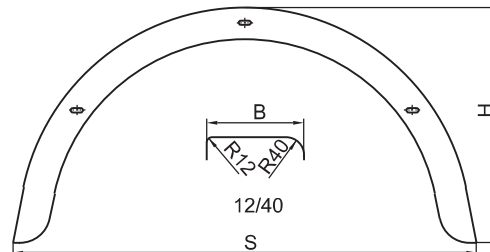


TRAILER MUDGUARDS

Single axle

| Type | Length S (mm) | Height H (mm) | Width B (mm) | Profile | Mounting holes (pcs) | Wheel size max. | Art. number |
|-------------|------------------|------------------|-----------------|---------|-------------------------|--------------------|-------------|
| A206612K | 660 | 345 | 200 | 12/40 | - | 165/80R13 | 6X0573.001 |
| A206612K(F) | 660 | 345 | 200 | 12/40 | 7 | 165/80R13 | 6X0573.014 |
| A207012K | 700 | 390 | 200 | 12/40 | - | 165/80R14 | 406708.001 |
| A207512K | 750 | 415 | 200 | 12/40 | - | 165/80R16 | 6X0573.003 |
| A207512K(F) | 750 | 415 | 200 | 12/40 | 5 | 165/80R16 | 406709.001 |
| A227512K | 750 | 390 | 220 | 12/40 | - | 185/80R15 | 6X0573.004 |
| A227512K(F) | 750 | 390 | 220 | 12/40 | 5 | 185/80R15 | 406710.001 |
| A228012K | 800 | 415 | 220 | 12/40 | - | 185/80R17 | 400349.001 |
| A228612K | 860 | 445 | 220 | 12/40 | - | 185/80R19 | 6X0573.006 |
| A247512K | 750 | 390 | 240 | 12/40 | - | 205/80R14 | 6X0573.007 |
| A247512K(F) | 750 | 390 | 240 | 12/40 | 5 | 205/80R14 | 406713.001 |
| A248012K | 800 | 415 | 240 | 12/40 | - | 205/80R16 | 401532.001 |
| A248012K(F) | 800 | 415 | 240 | 12/40 | 3+4 oval | 205/80R16 | 6X0573.015 |
| A248612K | 860 | 445 | 240 | 12/40 | - | 205/80R18 | 401851.001 |
| A248040K | 800 | 415 | 240 | 40/40 | - | 205/80R16 | 406716.001 |
| A268012K | 800 | 445 | 260 | 12/40 | - | 225/80R14 | 400351.001 |
| A268012K(F) | 800 | 445 | 260 | 12/40 | 7 | 225/80R14 | 401852.001 |
| A268040K | 800 | 415 | 260 | 40/40 | - | 225/80R14 | 400352.001 |

- Mudguards with a profile of 12/40 and 40/40
- Radius 12 is for sidewall-mounting on a trailer
- Radius 40/40 is for mounting on the supports of trailers, like boat trailers
- Material: galvanized steel

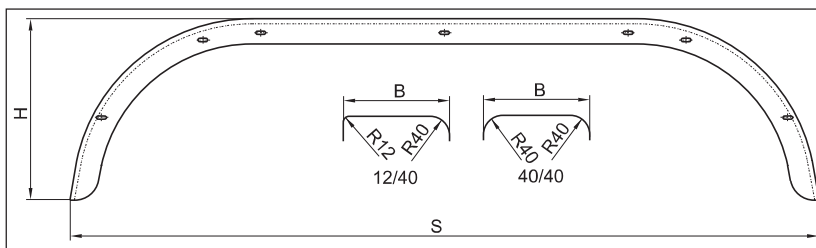




Tandem axle

| Type | Length S (mm) | Height H (mm) | Width B (mm) | Profile | Mounting holes (pcs) | Wheel size max. | Art. number |
|---------------|------------------|------------------|-----------------|---------|-------------------------|--------------------|-------------|
| A2213912KT | 1390 | 375 | 220 | 12/40 | - | 185/80R12 | 406724.001 |
| A2213912KT(F) | 1400 | 350 | 220 | 12/40 | 5 oval | 185/80R12 | 6X0570.014 |
| A2215512KT | 1550 | 375 | 220 | 12/40 | - | 185/80R15 | 413308.001 |
| A2215512KT(F) | 1550 | 375 | 220 | 12/40 | 7 oval | 185/80R15 | 406725.001 |
| A2215540KT | 1550 | 375 | 220 | 40/40 | - | 185/80R15 | 406726.001 |
| A2415012KT | 1500 | 410 | 240 | 12/40 | - | 205/80R13 | 400346.001 |
| A2415012KT(F) | 1500 | 410 | 240 | 12/40 | 7 oval | 205/80R13 | 406727.001 |
| A2415040KT | 1500 | 410 | 240 | 40/40 | - | 205/80R13 | 406728.001 |
| A2615012KT | 1500 | 410 | 260 | 12/40 | - | 225/80R12 | 400347.001 |
| A2615012KT(F) | 1500 | 400 | 260 | 12/40 | 7 oval | 225/80R12 | 6X0570.016 |
| A2615040KT | 1500 | 410 | 260 | 40/40 | - | 225/80R12 | 401616.001 |
| A2014812KT | 1480 | 365 | 200 | 12/40 | - | 165/80R15 | 406818.001 |
| A2415112KT | 1510 | 390 | 240 | 12/40 | - | 205/80R13 | 6X0570.011 |

- Mudguards with a profile of 12/40 and 40/40
- Radius 12 is for sidewall-mounting on a trailer
- Radius 40/40 is for mounting on the supports of trailers, like boat trailers
- Material: galvanized steel

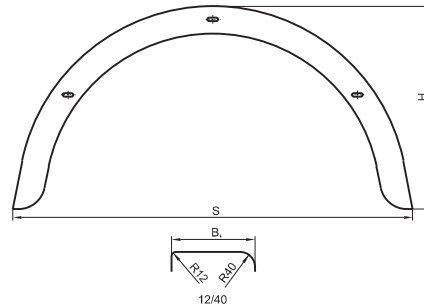




Single axle stainless steel mudguard

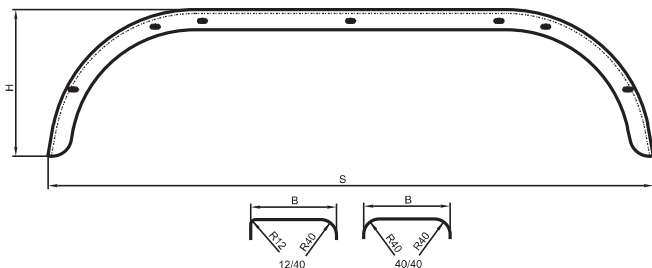
| Type | Length S (mm) | Height H (mm) | Width B (mm) | Profile | Mounting holes (pcs) | Wheel size max. | Art. number |
|----------|------------------|------------------|-----------------|---------|-------------------------|--------------------|-------------|
| 13" | 660 | 345 | 200 | 12/40 | - | 165/80R13 | 6X1485.001 |
| 14" | 750 | 390 | 240 | 12/40 | 3 oval | 205/80R14 | 6X1485.002 |
| A268040K | 800 | 415 | 260 | 40/40 | - | 205/80R16 | 6X1485.003 |
| 10" | 620 | 300 | 160 | 12/40 | - | 125/80R14 | 6X1485.004 |
| 12" | 660 | 340 | 190 | 12/40 | - | 155/80R13 | 6X1485.005 |
| 13" | 735 | 370 | 220 | 12/40 | - | 185/80R14 | 6X1485.006 |
| 14" | 800 | 415 | 245 | 40/40 | - | 205/80R16 | 6X1485.007 |

- Mudguards with a profile of 12/40
- Radius 12 is for sidewall-mounting on a trailer
- Radius 40/40 is for mounting on the supports of trailers, like boat trailers



Double axle stainless steel mudguard

| Type | Length S (mm) | Height H (mm) | Width B (mm) | Profile | Mounting holes (pcs) | Wheel size max. | Art. number |
|------|------------------|------------------|-----------------|---------|-------------------------|--------------------|-------------|
| 14" | 1500 | 410 | 240 | 12/40 | 7 oval | 205/80R13 | 6X1486.001 |
| 14" | 1500 | 410 | 240 | 12/40 | - | 205/80R13 | 6X1486.002 |



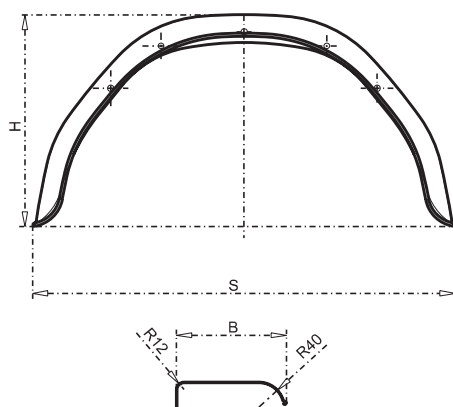
- Double axle mudguards with a profile of 12/40 and 40/40
- Radius 12 is for sidewall-mounting on a trailer
- Radius 40/40 is for mounting on the supports of trailers, like boat trailers





Single axle trailer mudguard (angular)

| Type | Length S (mm) | Height H (mm) | Width B (mm) | Material | Mounting holes (pcs) | Wheel size max. | Art. number |
|-----------------------|------------------|------------------|-----------------|------------------|-------------------------|--------------------|-------------|
| A176712S | 670 | 340 | 170 | galvanized steel | - | 135/80R15 | 406719.001 |
| A176712S (F) | 670 | 340 | 170 | galvanized steel | 5 | 135/80R15 | 6X1031.012 |
| A207612S | 760 | 390 | 200 | galvanized steel | - | 165/80R17 | 402509.001 |
| A207612S (F) | 760 | 360 | 200 | galvanized steel | 7 | 165/80R17 | 6X1031.013 |
| A207612S (F) | 760 | 350 | 200 | galvanized steel | 11 | 165/80R17 | 6X1031.007 |
| A227612S | 760 | 390 | 220 | galvanized steel | - | 185/80R15 | 6X1031.003 |
| A227512S | 750 | 390 | 220 | galvanized steel | - | 185/80R15 | 6X1031.004 |
| A247512S | 750 | 390 | 240 | galvanized steel | - | 205/80R14 | 406723.001 |
| A155512S (F) | 550 | 245 | 150 | galvanized steel | 5 | 120/80R11 | 6X1031.009 |
| ET-70343-A Knott INOX | 680 | 350 | 200 | stainless steel | - | 255/80R12 | 6X1486.006 |
| A227512S INOX | 750 | 390 | 220 | stainless steel | - | 185/80R15 | 6X1486.007 |
| A176712S INOX | 670 | 340 | 170 | stainless steel | - | 135/80R15 | 6X1486.009 |



We can produce our mudguards in any (RAL) colour according to customer requests. Please request the colour of the mudguard when asking an offer.

- Angular mudguards with a profile of 12/40
- Radius 12 is for sidewall-mounting on a trailer

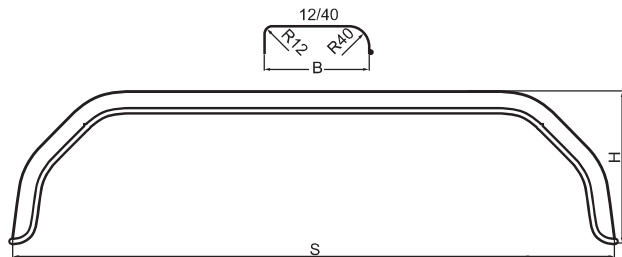




MUDGUARD

Double axle trailer mudguard (angular)

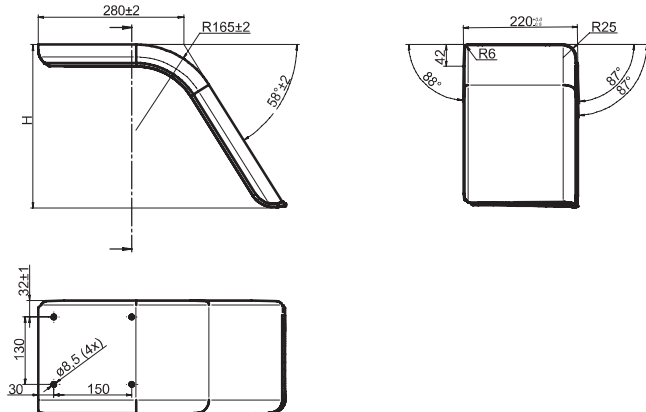
| Type | Length S (mm) | Height H (mm) | Width B (mm) | Material | Mounting holes (pcs) | Wheel size max. | Art. number |
|-----------------|------------------|------------------|-----------------|------------------|-------------------------|--------------------|-------------|
| A2315112ST | 1510 | 380 | 230 | galvanized steel | - | 195/80R14 | 6X0570.012 |
| A2315112ST(F) | 1520 | 400 | 230 | galvanized steel | 9 oval | 195/80R14 | 406731.001 |
| A2315112ST INOX | 1510 | 380 | 230 | stainless steel | - | 195/80R14 | 6X1486.008 |



- Tandem mudguards with a profile of 12/40
- Radius 12 is for sidewall-mounting on a trailer

Trailer mudguard (half)

| Type | Length S (mm) | Height H (mm) | Width B (mm) | Material | Mounting holes (pcs) | Wheel size max. | Art. number |
|--------------|------------------|------------------|-----------------|------------------|-------------------------|--------------------|-------------|
| 5227 Je & Bh | 632 | ~314 | 220 | galvanized steel | 4 | 185/80R15 | 6A5227.001 |
| 5228 Jh & Be | 632 | ~314 | 220 | galvanized steel | 4 | 185/80R15 | 6A5228.001 |
| 5229 Jh & Be | 712 | ~382 | 240 | galvanized steel | 4 | 205/80R14 | 6A5229.001 |
| 5230 Je & Bh | 712 | ~382 | 240 | galvanized steel | 4 | 205/80R14 | 6A5230.001 |



- Trailer mudguards with a profile of 6/25
- Radius 12 is for sidewall-mounting on a trailer
- These mudguards have to be mounted on the bottom plate of the trailer





Plastic mudguard with mudflap

| Type | Length S (mm) | Height H (mm) | Width B (mm) | Side | Art. number with mudflap | Mudflap |
|------------|------------------|------------------|-----------------|------------|-----------------------------|---------|
| 6A6092.002 | 678 | 336 | 180 | right | 6X1792.001 | 6X1790 |
| 6A6092.002 | 678 | 336 | 180 | left | 6X1792.002 | 6X1790 |
| 6X0744.003 | 660 | 320 | 200 | right | 6X1792.003 | 6X1790 |
| 6X0744.003 | 660 | 320 | 200 | left | 6X1792.004 | 6X1790 |
| 6X0744.004 | 760 | 320 | 220 | right | 6X1792.005 | 6X1790 |
| 6X0744.004 | 760 | 320 <td 220 | left | 6X1792.006 | 6X1790 | |
| 6X1506.002 | 1550 | 400 | 240 | right | 6X1792.007 | 6X1790 |
| 6X1506.002 | 1550 | 400 | 240 | left | 6X1792.008 | 6X1790 |





Plastic mudguard with mudflap

| Type | Side | Holes | Mudflap |
|-------------|-------|------------|------------|
| 6BG770R003* | right | - | 6BH020.006 |
| 6BG770L003* | left | - | 6BH020.005 |
| 6BG770R002 | right | - | 6BH020.004 |
| 6BG770L002 | left | - | 6BH020.003 |
| 6BG770R001 | right | - | 6BH020.002 |
| 6BG770L001 | left | - | 6BH020.001 |
| 6BH395R003* | right | 7xD10+2xD8 | 6BH020.006 |
| 6BH395L003* | left | 7xD10+2xD8 | 6BH020.005 |
| 6BH395R002 | right | 7xD10+2xD8 | 6BH020.004 |
| 6BH395L002 | left | 7xD10+2xD8 | 6BH020.003 |
| 6BH395R001 | right | 7xD10+2xD8 | 6BH020.002 |
| 6BH395L001 | left | 7xD10+2xD8 | 6BH020.001 |

* With logo option.



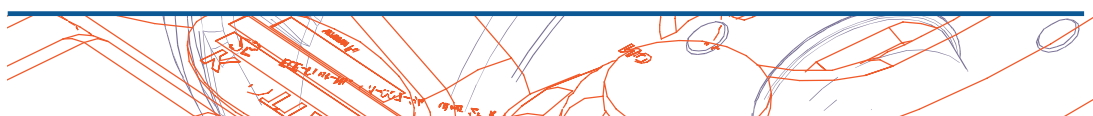
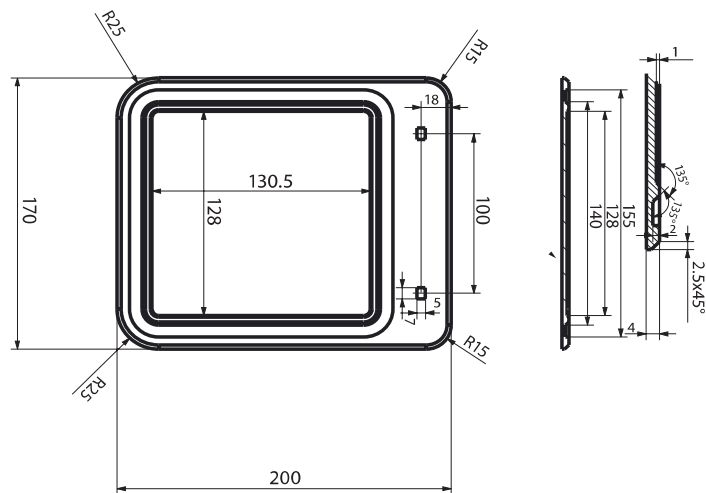
- Provided with mortise
- Reinforced construction
- Colors: black, grey, ruby red, orange, silver, red, blue





Mudflap

Right and left
Black or grey
Art number: **6BH020**





MUDGUARD

Plastic mudguard

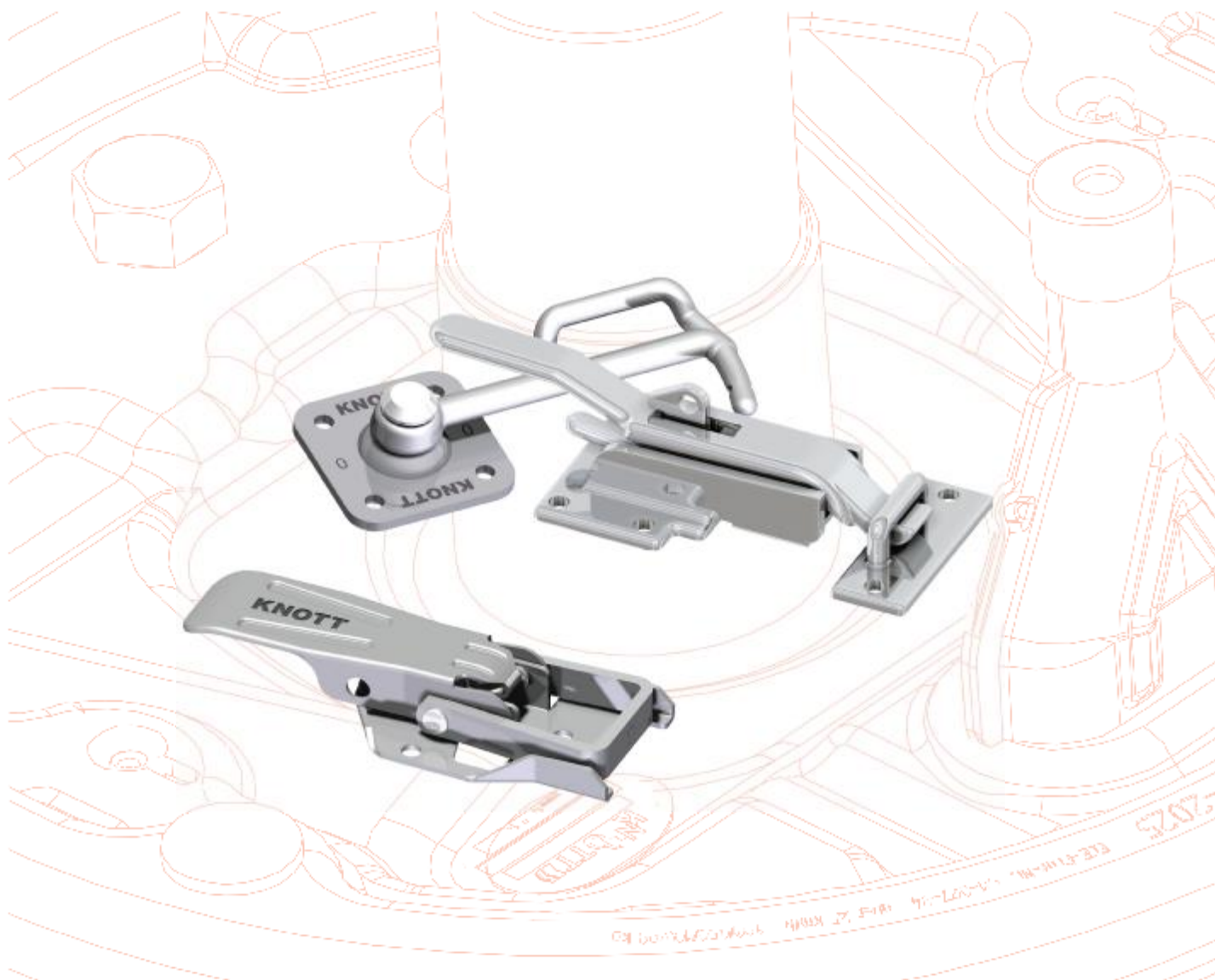
| Type | Length S (mm) | Height H (mm) | Width B (mm) | Profile | Colour | Art. number |
|-----------|---------------|---------------|--------------|---------|--------------|-------------|
| A186812SM | 678 | 336 | 180 | 12/40 | grey RAL7040 | 6A6092.001 |
| A186812SM | 678 | 336 | 180 | 12/40 | black | 6A6092.002 |
| 13" | 660 | 327 | 200 | 10/30 | black | 6X0744.003 |
| 14" | 760 | 327 | 220 | 10/30 | black | 6X0744.004 |
| Tandem | 1550 | 400 | 240 | 10/30 | black | 6X1506.002 |
| 8"-12" | 525 | 150 | 175 | 30/30 | grey | 6A6594.101 |
| 8"-12" | 525 | 150 | 175 | 30/30 | white | 6A6594.201 |



3-steps plastic mudguard

| Type | Length (mm) | Height (mm) | Width (mm) | Colour | Art. number |
|------|-------------|-------------|------------|--------|-------------|
| 13" | 945 | 305 | 235 | grey | 6X1669.007 |
| 14" | 1080 | 330 | 245 | grey | 6X1669.008 |
| 14" | 1080 | 330 | 245 | black | 6X1669.011 |
| 13" | 945 | 305 | 235 | black | 6X1669.010 |





TRAILER ACCESSORIES

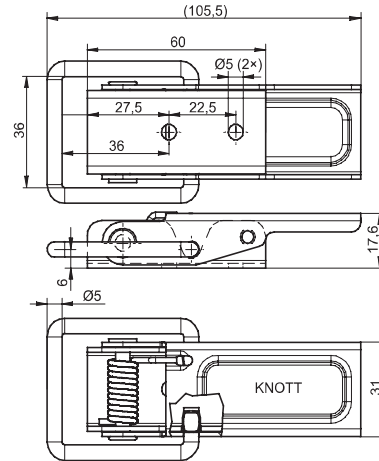
www.autoflex.hu





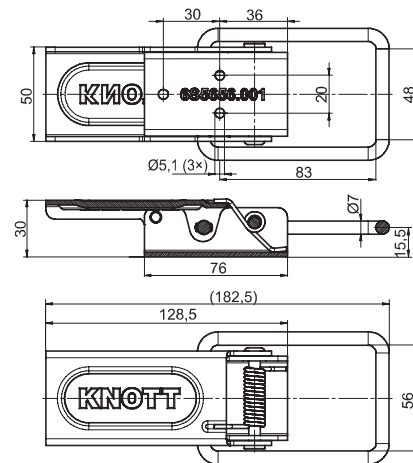
OVERCENTRE LATCH RB 34

With spring and round bracket
Zinc plated
Art. number: **6S5719.001**



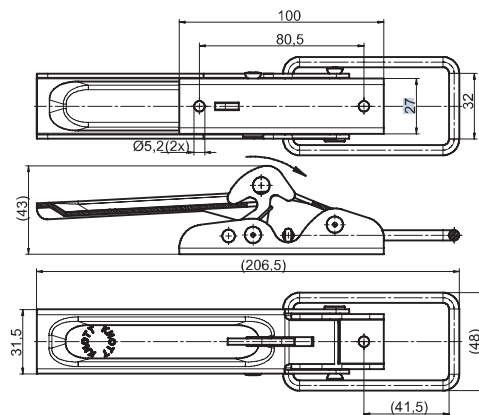
RB 48

With spring and round bracket
Zinc plated
Art. number: **6S5656.001**



SRB 32

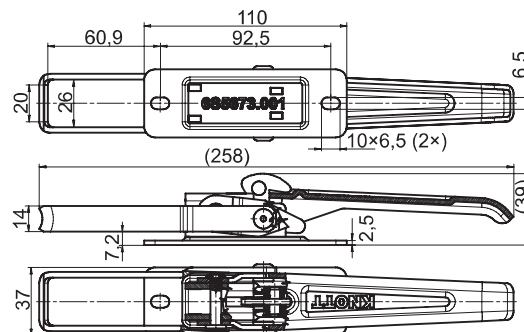
Lockable
With round bracket
Stainless steel
Art. number: **6S5789.001**





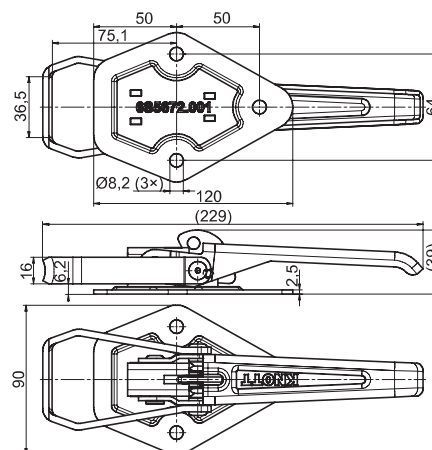
SVB 20

With flat bracket
Lockable
Zinc plated
Art. number: **6S5673.001**



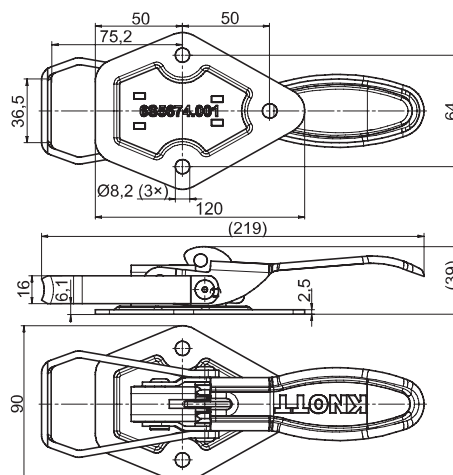
SVBA 36

With flat bracket
Lockable
Zinc plated
Art. number: **6S5672.001**



SVBB 36

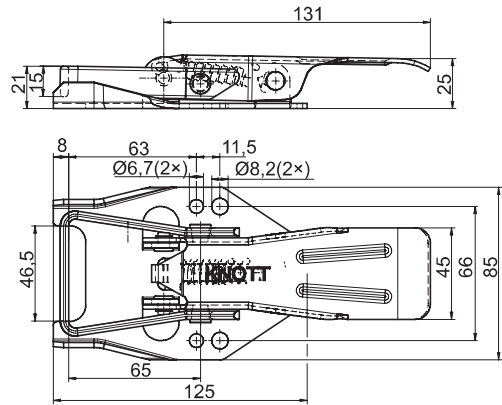
With flat bracket
Lockable
Zinc plated
Art. number: **6S5674.001**





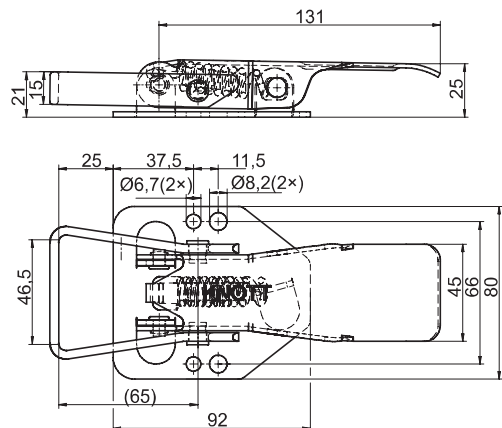
FVBA 46

With spring and flat bracket
Zinc plated
Art. number: **6S5779.001**



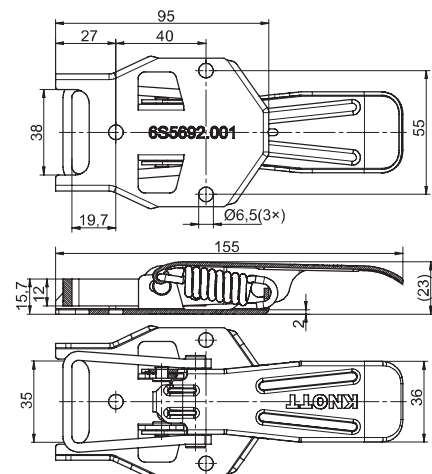
FVBB 46

With spring and flat bracket
Zinc plated
Art. number: **6S5778.001**



FVB 35

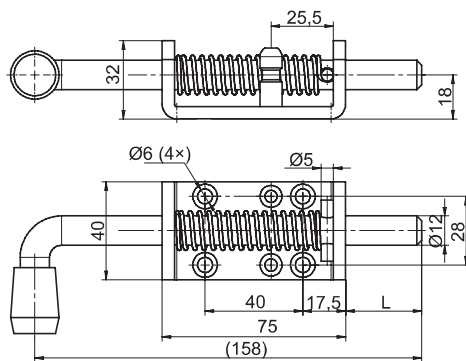
With spring and flat bracket
Zinc plated
Art. number: **6S5692.001**





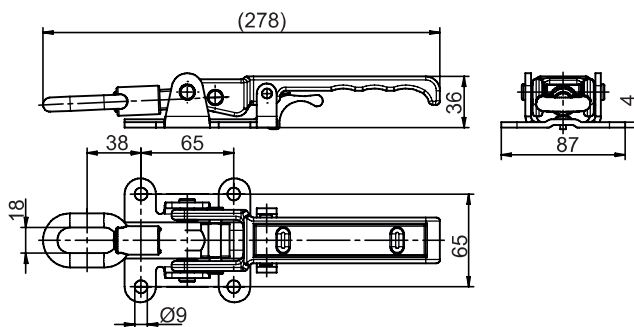
LATCH, HOOK Spring latch

L= 31 mm
With plastic handle
Zinc plated
Art. number: **6S5716.001**



FVS 15 - Adjustable overcentre latch

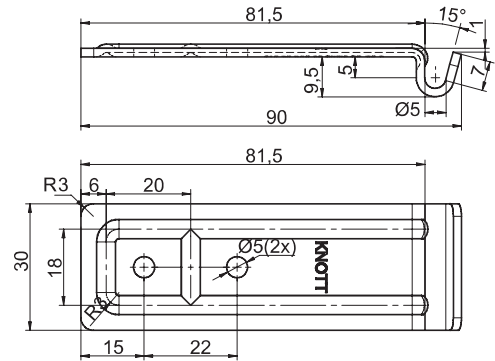
With spring
Zinc plated
Art. number: **6S6288.001**





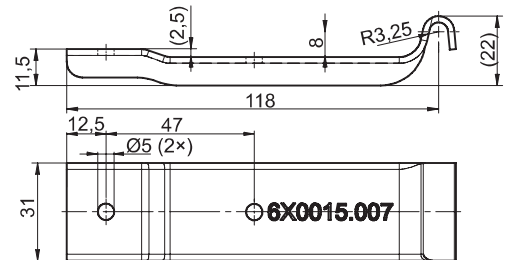
CATCH PLATE A 30

Zinc plated
Art. number: **6S5756.001**



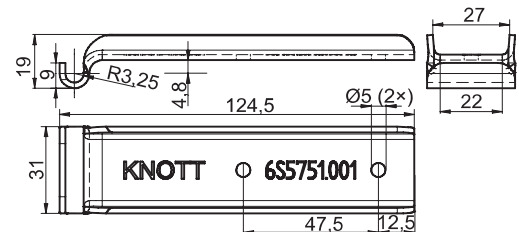
B 30

Cranked
Zinc plated
Art. number: **6X0015.007**



C 30

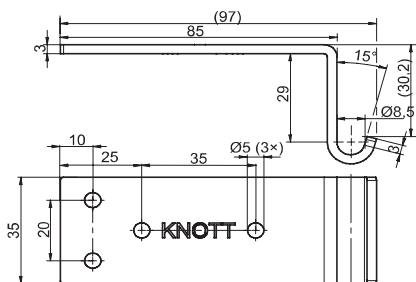
Straight
Zinc plated
Art. number: **6S5751.001**





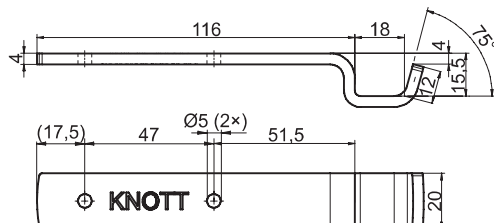
C 35

Right angle
Zinc plated
Art. number: **6S5754.001**



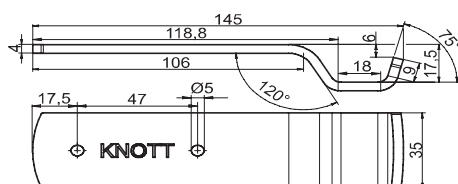
B 20

Zinc plated
Art. number: **6S5753.001**



B 35

Zinc plated
Art. number: **6S5757.001**

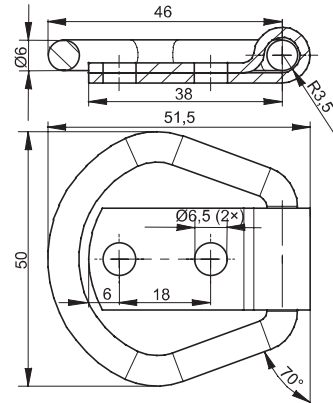




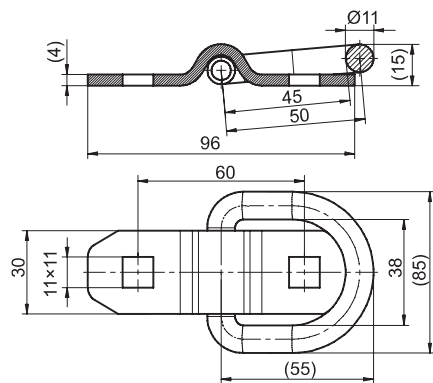
LASHING RINGS

Lashing ring + cleat

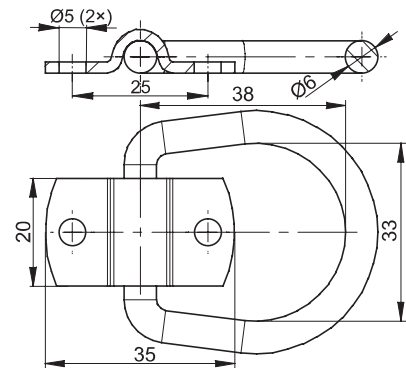
Triangular ring
Zinc plated
250 daN
Art. number: **6S5707.001**



D-ring
Zinc plated
250 daN
Art. number: **6S5780.001**

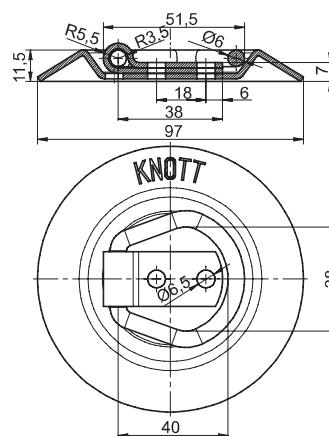


D-ring
Zinc plated
250 daN
Art. number: **6S5702.001**



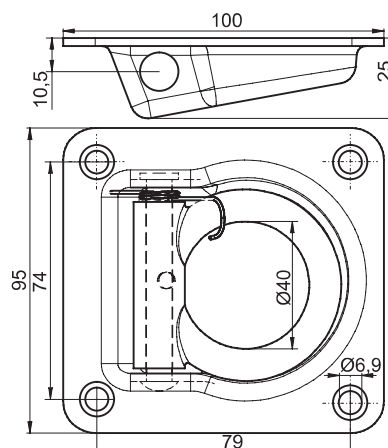


Triangular ring, round base
 Stainless steel
 250 daN
 Art. number: **6S5741.001**

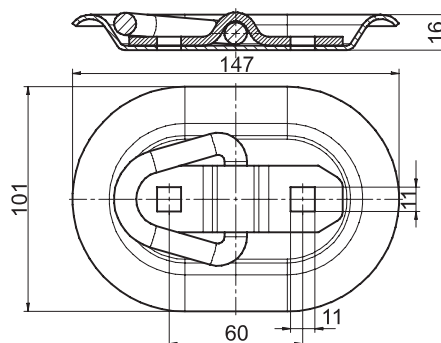


Recessed lashing ring

Sprung eye
 Rectangular base
 Zinc plated
 250 daN
 Art. number: **6S5727.001**



Oval
 Zinc plated
 250 daN
 Art. number: **6S5726.001**

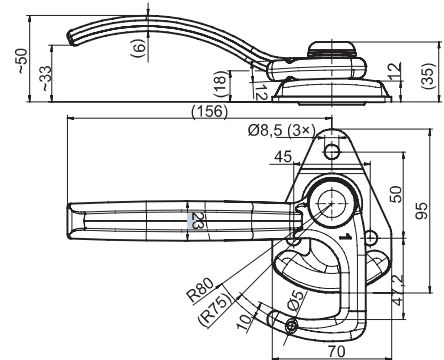




LOCKING DEVICES

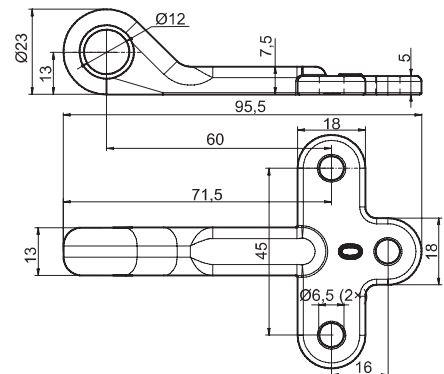
WVH Angle lever lock

Zinc plated
Art. number: **6S5762.001** - left
Art. number: **6S5762.002** - right



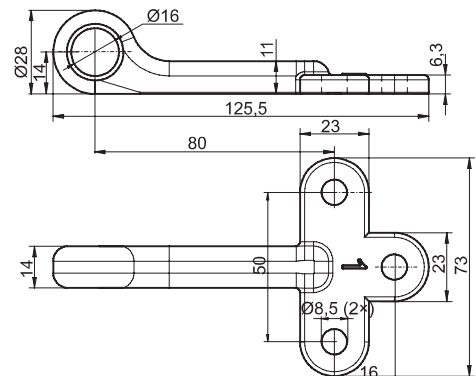
E0 Eyelet

Zinc plated
Art. number: **6S5767.001**



E1 Eyelet

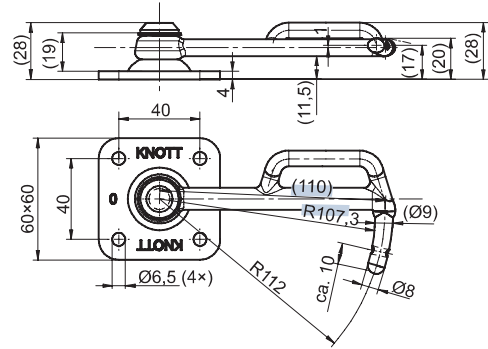
Zinc plated
Art. number: **6S5758.001**





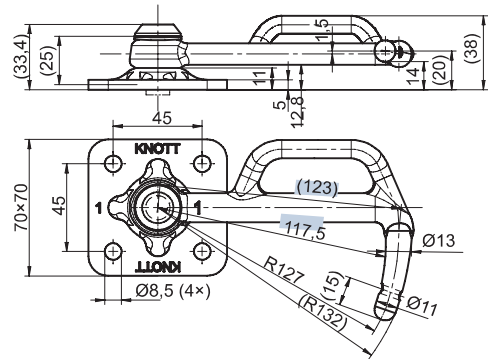
BOW LOCK BVO

Base plate: 60x60 mm
Zinc plated
Art. number: **6S5770.001** - left
Art. number: **6S5770.002** - right



BV1

Base plate: 70x70 mm
Zinc plated
Art. number: **6S5766.001** - left
Art. number: **6S5766.002** - right

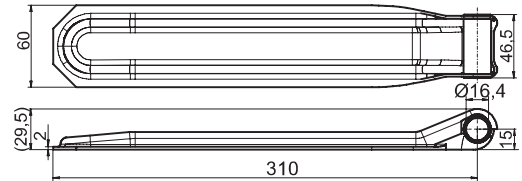




HINGE

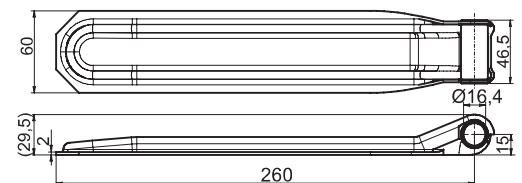
Hinge 310

For $\varnothing 16$ mm pin
Zinc plated
Art. number: **6S5738.001**



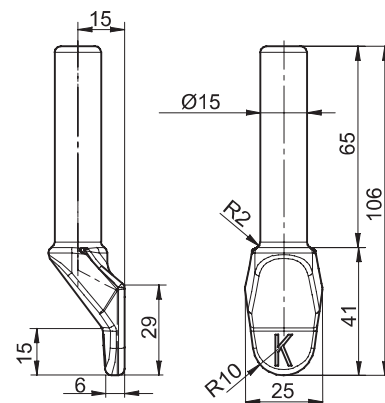
Hinge 260

For $\varnothing 16$ mm pin
Zinc plated
Art. number: **6S5738.002**



Hinge pin

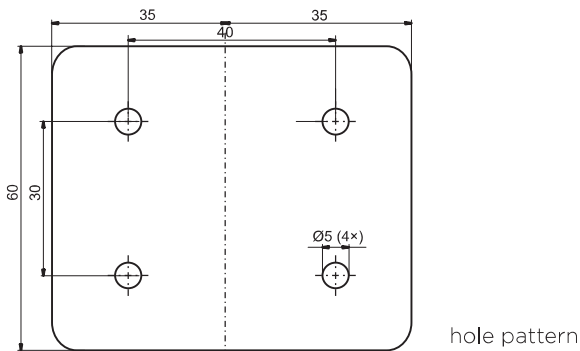
$\varnothing 16$ mm
Uncoated forged steel
Weld on
Art. number: **6S5739.001**





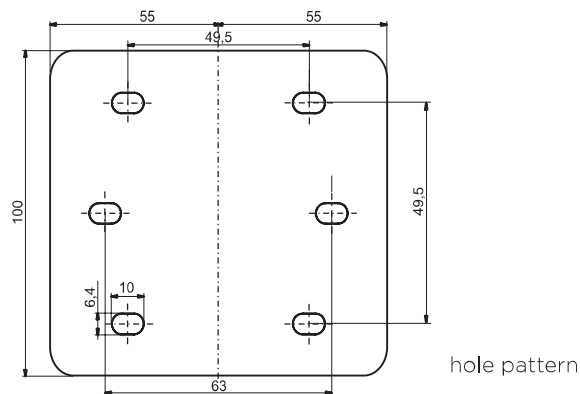
Hinge L=60 mm

For premium trailer bodies
Corrosion resistant
Spring bounding (4x60°)
Art. number: **6X0827.017**



Hinge L=110 mm

For premium trailer bodies
Corrosion resistant
Spring bounding (4x60°)
Art. number: **6X0827.016**



Both types can be fixed in 4 position (60 degrees)
with the bumper buffer within the 240 degree range.





Slip resistant plywood

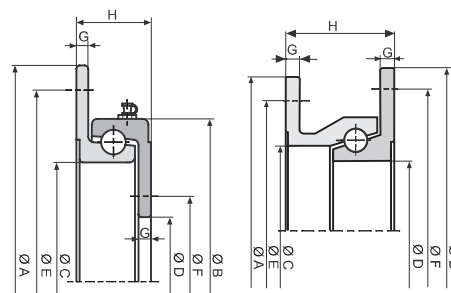
| Art. number | Thickness (mm) | Plate size (mm) | Sign | Packaging pcs/ pallet |
|-------------|----------------|-----------------|------|-----------------------|
| 6X0835.001 | 9 | 1250x2500 | J/NY | 65 |
| 6X0835.002 | 12 | 1250x2500 | J/NY | 50 |
| 6X0835.003 | 15 | 1250x2500 | J/NY | 40 |
| 6X0835.004 | 18 | 1250x2500 | J/NY | 35 |
| 6X0835.005 | 21 | 1250x2500 | J/NY | 30 |
| 6X0835.007 | 9 | 1500x2500 | J/W | 65 |
| 6X0835.008 | 12 | 1250x2500 | J/W | 50 |
| 6X0835.009 | 15 | 1250x2500 | J/W | 40 |
| 6X0835.010 | 18 | 1250x2500 | J/W | 30 |
| 6X0835.021 | 9 | 1500x3000 | J/W | 65 |
| 6X0835.022 | 12 | 1500x3000 | J/W | 50 |
| 6X0835.023 | 15 | 1500x3000 | J/W | 40 |
| 6X0835.024 | 18 | 1500x3000 | J/W | 30 |



- 9-21 mm thickness
- Waterproof glued (AW 100)
- Coated with phenol-pellicle on both sides (120g/ m²)
- Non-skid surfacing in one-side (screen printed)
- Both edge handled
- One side patterned, one side smooth
- Apparent density: 690 kg/ m³

Slewing ring

| N° | Type | A (mm) | B (mm) | C (mm) | D (mm) | E (mm) | F (mm) | G (mm) | H (mm) | Load capacity max. | Art. number |
|----|-------|--------|--------|--------|--------|--------|--------|--------|--------|--------------------|-------------|
| 1 | 400 L | 400 | 400 | 310 | 292 | 375 | 375 | 6 | 55 | 750 kg | 6X1028.005 |
| 2 | 500 L | 500 | 500 | 410 | 392 | 475 | 475 | 6 | 55 | 1000 kg | 6X1028.006 |
| 3 | 650 L | 650 | 650 | 568 | 543 | 625 | 625 | 7 | 65 | 1700 kg | 6X1028.004 |
| 4 | 650 L | 650 | 592 | 542 | 480 | 625 | 510 | 8 | 45 | 1500 kg | 6X1028.007 |
| 5 | 850 N | 850 | 787 | 734 | 665 | 825 | 690 | 8 | 52 | 3500 kg | 6X1028.003 |



For agricultural trailers and internal transportation up to 25 km/ h.





TRAILER WHEELS

Tyres

| Type | Load capacity at 140 km/ h | Art. number |
|------------------|----------------------------|-------------|
| Tyre 155/80 R13 | 437 kg | 6X0352.009 |
| Tyre 165 R13C | 670 kg | 6X0352.010 |
| Tyre 195/50 B10 | 750 kg | 6X0352.015 |
| Tyre 185 R14C | 850 kg | 6X0352.017 |
| Tyre 195/50 R13C | 900 kg | 6X0352.018 |
| Tyre 165/70 R13 | 437 kg | 6X0352.025 |



Rims

| Type | Pitch circle | Load capacity at 140 km/ h | Art. number |
|------------------------------|--------------|----------------------------|-------------|
| Wheel disc 4 Jx13" H2 ET30 | 100x4 | 500 kg | 6X0630.036 |
| Wheel disc 4,5 Jx13" H2 ET30 | 100x4 | 710 kg | 6X0630.037 |
| Wheel disc 4,5 Jx13" H2 ET30 | 112x5 | 710 kg | 6X0630.038 |
| Wheel disc 4,5 Jx13" ET30 | 112x5 | 900 kg | 6X0630.012 |
| Wheel disc 4,5 Jx12" ET30 | 112x5 | 900 kg | 6X0630.014 |
| Wheel disc 5 Jx13" H2 ET30 | 112x5 | 700 kg | 6X0630.006 |
| Wheel disc 5,5 Jx13" H2 | 112x5 | 900 kg | 6X0630.016 |
| Wheel disc 5,5 Jx14" H2 ET30 | 112x5 | 900 kg | 6X0630.035 |
| Wheel disc 6 Jx10" | 112x5 | 750 kg | 6X0630.013 |
| Wheel disc 6 Jx14" H2 ET30 | 112x5 | 900 kg | 6X0630.004 |
| Wheel disc 6 Jx14" H2 ET30 | 205x6 | 1250 kg | 6X0630.007 |



100x4 pitch circle



112x5 pitch circle

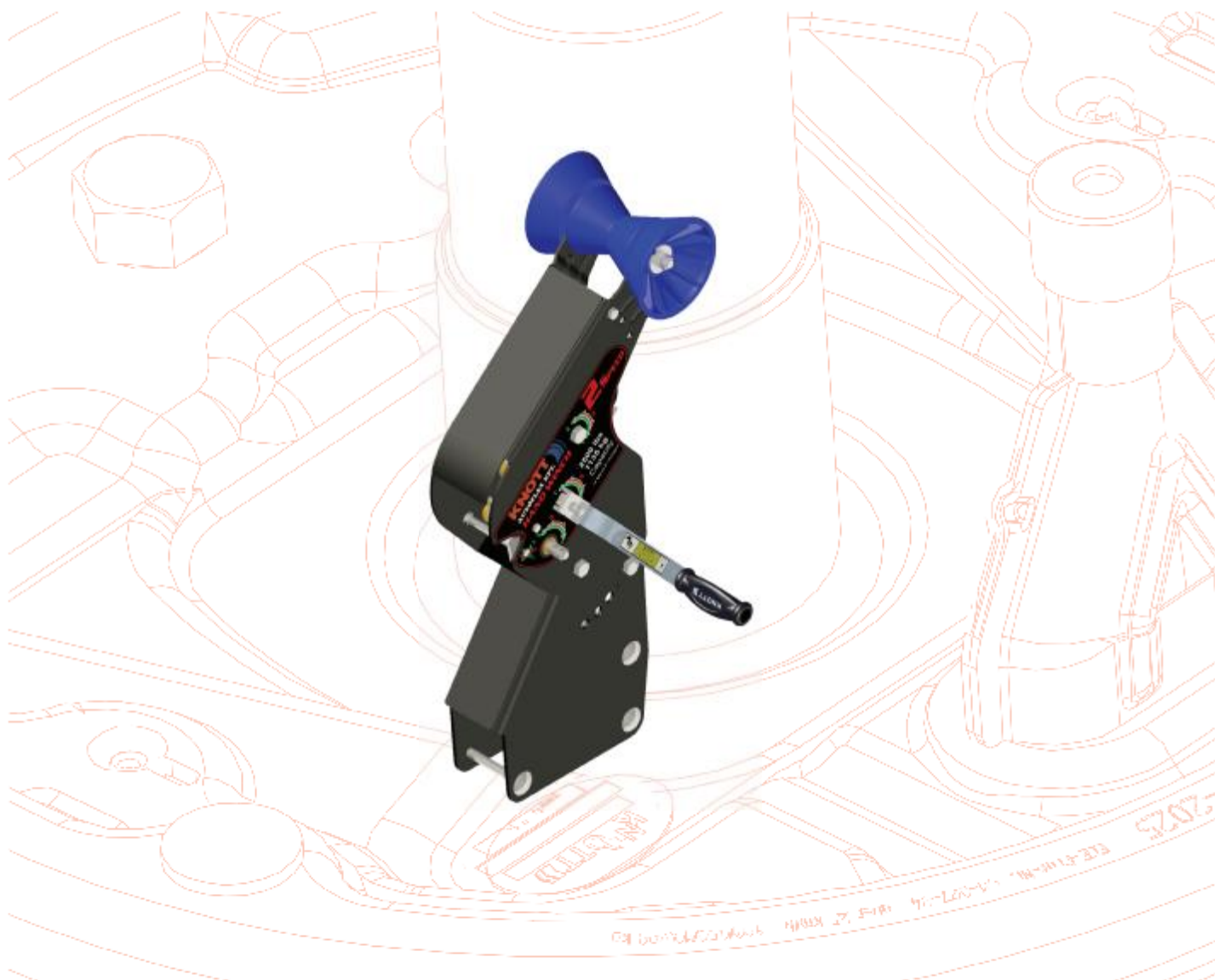




Wheels

| Type | Pitch circle | Load capacity | Towing speed max. (km/ h) | Art. number |
|-----------------|--------------|---------------|---------------------------|-------------|
| 5.00x10 | 100x4 | 437 kg | 140 | 6X0698.023 |
| 4.00-8 ETO | 100x4 | 345 kg | 130 | 6X0698.035 |
| 155/70 R13 | 100x4 | 375 kg | 140 | 6X0698.062 |
| 155 R13C | 100x4 | 615 kg | 140 | 6X0698.063 |
| 165 R13C | 112x5 | 670 kg | 140 | 6X0698.064 |
| 185 R14 ET30 | 112x5 | 900 kg | 140 | 6X0698.065 |
| 195/50 R13C | 112x5 | 900 kg | 140 | 6X0698.066 |
| 155/70 R12C | 112x5 | 900 kg | 140 | 6X0698.067 |
| 155/80 R13 ET30 | 100x4 | 500 kg | 190 | 6X0698.068 |
| 165/70 R13 ET30 | 100x4 | 500 kg | 140 | 6X0698.069 |
| 195/55 R10C | 112x5 | 750 kg | 140 | 6X0698.070 |
| 195 R14 ET30 | 112x5 | 950 kg | 140 | 6X0698.071 |





WINCHES, ROLLERS & PLASTIC PARTS

www.autoflex.hu





WINCHES

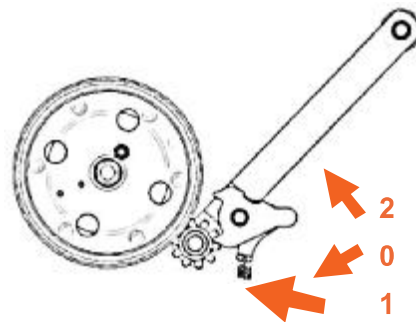
We keep three different types based on their operational functions:

- 1 speed winch
- 2 speed winch
- automatic hand winch

We distribute all types with three equipment variants:

- without wire or strap
- equipped with engaging hook and wire rope
- equipped with engaging hook and strap

As for the one and 2 speed winches, before moving the load, we must check the position of the three-way ratchet gear. To ensure our safety during the process of moving the load in one way or another, the position of the ratchet gear must be only in position 1 or 2.



How to use the automatic brake winch

- **For lifting, pulling: turn the handle clockwise.**
- **Stopping abruptly: the load can be stopped in any position simply by letting go off the handle.**
- **Lowering, cable releasing: turn the handle counterclockwise.**
- **The automatic brake can prevent the handle from kicking back.**

The brake function will only be activated by a minimum load of 25 kgs.

Adjustable height winch stand

Includes 900 kg or 1150 kg load capacity winch.

Advantages:

- adjustable height (from 15° to 41°)
- easy to mount on the boat trailer
- strong construction
- new design



For further information about the assembly and the operating instructions of the winches please ask our contact person.

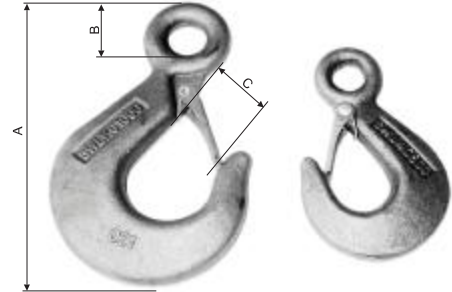




ACCESSORIES

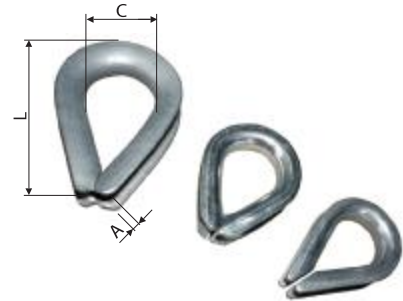
Hook with eye

| Load capacity | AxBxC (mm) | Art. number |
|---------------|------------|-------------|
| 250 kg | 64x12x18 | 6X0018.001 |
| 500 kg | 85x16x24 | 6X0018.002 |
| 1000 kg | 116x20x33 | 6X0018.003 |



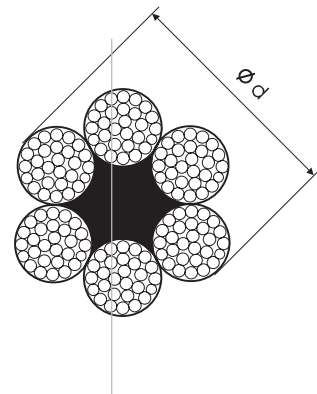
Wire thimble - galvanized

| AxBxC (mm) | Art. number |
|------------|-------------|
| 5x14x23 | 6X6899.002 |
| 6x16x25 | 6X6899.003 |
| 8x20x32 | 6X6899.005 |



Wire-cable

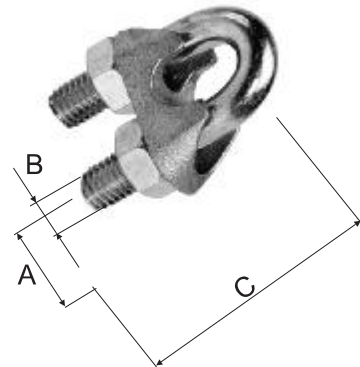
| Breaking load | Safe working load | Size (Ø) | Art. number |
|---------------|-------------------|----------|-------------|
| 914 kg | 183 kg | 4 mm | 6X0549.006 |
| 1420 kg | 284 kg | 5 mm | 6X0549.002 |
| 2050 kg | 410 kg | 6 mm | 6X0549.004 |
| 3600 kg | 730 kg | 8 mm | 6X0549.005 |



Wire-cable clip

| Cable Ø | AxBxC (mm) | Art. number |
|---------|------------|-------------|
| 5 mm | 11xM5x24 | 6X0741.002 |
| 6,5 mm | 13xM5x28 | 6X0741.003 |
| 8 mm | 15xM6x34 | 6X0741.004 |
| 10 mm | 20xM8x42 | 6X0741.005 |

For more sizes please contact our sales person!





WINCHES

WINCHES - WITHOUT BRAKE



| Capacity | Reversible ratchet | Speed | Gear ratio | Cover | Towing element with hook | Colour | Art. number |
|----------|--------------------|---------|------------|---------|-----------------------------|----------------------|--|
| 450 kg | yes | 1 speed | 4, 1:1 | plastic | none wire-cable strap | red | 6X0017.504 6X0017.505 6X0017.506 |
| 900 kg | yes | 2 speed | 4:1, 8:1 | plastic | none wire-cable strap | red red yellow | 6X0017.507 6X0017.508 6X0017.409 |
| 1150 kg | yes | 2 speed | 4:1, 8:1 | plastic | none wire-cable strap | yellow | 6X0017.410 6X0017.411 6X0017.512 |



| Capacity | Reversible ratchet | Speed | Gear ratio | Cover | Towing element with hook | Colour | Art. number |
|----------|--------------------|---------|------------|---------|-----------------------------|--------|--|
| 450 kg | yes | 1 speed | 4, 1:1 | plastic | none wire-cable strap | blue | 6X0017.204 6X0017.205 6X0017.206 |
| 900 kg | yes | 2 speed | 4:1, 8:1 | plastic | none wire-cable strap | blue | 6X0017.207 6X0017.208 6X0017.209 |
| 1150 kg | yes | 2 speed | 4:1, 8:1 | plastic | none wire-cable strap | blue | 6X0017.210 6X0017.211 6X0017.212 |



| Capacity | Reversible ratchet | Speed | Gear ratio | Cover | Towing element with hook | Colour | Art. number |
|----------|--------------------|---------|------------|---------|-----------------------------|--------|--|
| 450 kg | yes | 1 speed | 4, 1:1 | plastic | none wire-cable strap | black | 6X0017.304 6X0017.305 6X0017.306 |
| 900 kg | yes | 2 speed | 4:1, 8:1 | plastic | none wire-cable strap | black | 6X0017.307 6X0017.308 6X0017.309 |
| 1150 kg | yes | 2 speed | 4:1, 8:1 | plastic | none wire-cable strap | black | 6X0017.310 6X0017.311 6X0017.312 |



WINCHES



| Capacity | Speed | Gear ratio | Cover | Towing element with hook | Colour | Remark | Art. number |
|----------|---------|------------|-----------------------------|--------------------------|--------|---|-------------|
| 414 kg | 1 speed | 3, 1:1 | E-coating + powder painting | strap | silver | - handle can be fitted both side - delivered with 4,6m strap | 6S6169.002 |
| 414 kg | 1 speed | 3, 1:1 | E-coating + powder painting | strap | silver | - handle can be fitted both side - delivered with 7,6m strap | 6S6244.002 |





WINCHES

WINCH STANDS - WITHOUT BRAKE

| Capacity | Speed | Gear ratio | Cover | Towing element | Colour | Remark | Art. number |
|----------|---------|------------|-----------------------------|----------------|------------------------------|--|-------------|
| 950 kg | 1 speed | 5:1 | E-coating + powder painting | none | cover: black roller: blue | - suitable for strap - suitable for 70x70 sq.tube | 6S6367.001 |
| 950 kg | 1 speed | 5:1 | hot-dip galvanized | none | roller: blue | - suitable for strap - suitable for 70x70 sq.tube | 6S6367.002 |
| 1150 kg | 2 speed | 4:1, 8:1 | E-coating + powder painting | none | cover: black roller: blue | - suitable for strap - suitable for 80x80 sq.tube | 6S5810.001 |
| 1150 kg | 2 speed | 4:1, 8:1 | hot-dip galvanized | none | roller: yellow | - suitable for strap - suitable for 80x80 sq.tube | 6S5810.005 |



Available roller colours: yellow, blue and black
Please ask for article numbers.





WINCHES - WITH BRAKE

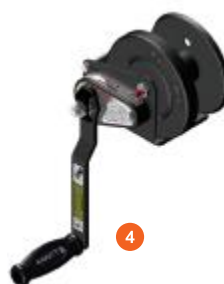
| N° | Capacity | Speed | Gear ratio | Cover | Towing element | Colour | Remark | Art. number |
|----|----------|---------|------------|-----------------------------|----------------|--------|---|-------------|
| 1 | 680 kg | 1 speed | 4,5:1 | E-coating + powder painting | none | black | - automatic brake - only for wire-cable - 2 handles | 6S6316001 |
| 2 | 680 kg | 1 speed | 4,5:1 | E-coating + powder painting | none | black | - automatic brake - only for strap - 2 handles | 6S6433.001 |
| 3 | 680 kg | 1 speed | 4,5:1 | E-coating + powder painting | none | black | - automatic brake - only for strap | 6S6426.002 |
| 4 | 680 kg | 1 speed | 4,5:1 | E-coating + powder painting | none | black | - automatic brake - only for wire-cable | 6S6431.002 |
| 5 | 1800 kg | 1 speed | 19:1 | E-coating + powder painting | none | black | - automatic brake - suitable for strap and wire-cable - 2 handles | 6S6521.001 |



2



3



4



5

Strap with hook

| Capacity | Size | Art. number |
|----------|---------------------|-------------|
| 450 kg | 1mm x 50mm x 7m | 6X1407.001 |
| 900 kg | 1mm x 50mm x 10m | 6X1407.002 |
| 1150 kg | 1,2mm x 50mm x 10m | 6X1407.003 |
| 675 kg | 1mm x 48mm x 6m | 6X1407.004 |
| 1150 kg | 1,2mm x 50mm x 6m | 6X1407.005 |
| 1575 kg | 1,2mm x 65mm x 6,5m | 6X1407.006 |



Wire-cable with hook

| Capacity | Size | Art. number |
|----------|----------------|-------------|
| 450 kg | ∅ 4mm x 10m | 6X1522.001 |
| 900 kg | ∅ 5mm x 10m | 6X1522.002 |
| 1150 kg | ∅ 5,3mm x 10m | 6X1522.003 |
| 675 kg | ∅ 4,76mm x 10m | 6X1522.004 |
| 1150 kg | ∅ 6,35mm x 10m | 6X1522.005 |
| 1575 kg | ∅ 7,14mm x 10m | 6X1522.006 |





PLASTIC PARTS AND ROLLERS

Advantages of soft PVC 83 +/-3 shore A material

- corrosion resistant rollers with good physical attribute
- insoluble in water, alcohol and saturated hydrocarbons
- non-flammable, wear resistant
- keeps its shape at high temperatures
- it is resilient to surface cracking
- resistant to UV radiation



This material provides a clear, transparent product that has a more superior design than the similar rollers.

It is available in three different colors:

- yellow
- blue
- black

Roller holders

We provide also roller holders for our rollers if needed.

Please contact our sales person about the available sizes.





ROLLER ASSEMBLY Winch post



Art. number: **6B7840.001**



Art. number: **6B4946.001**

Bow roller assembly



Art. number: **6B4950.002**



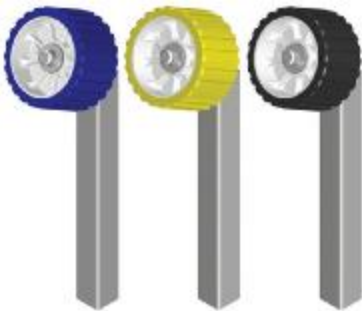
Art. number: **6B4776.004**



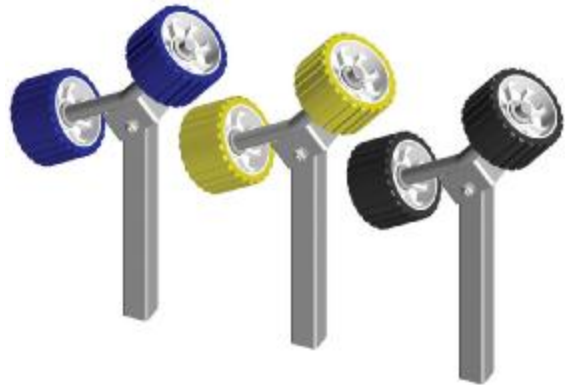
Art. number: **6B4783.002**

Roller material: PVC

Wobble roller assembly with bracket



Drawing number: **6B9685**



Drawing number: **6B9682**





Adjustable roller system

| Colour | Axle (pcs) | Art. number |
|--------|------------|-------------|
| yellow | 2 | 6B3510.003 |
| blue | 2 | 6B3510.103 |
| black | 2 | 6B3510.203 |
| yellow | 3 | 6B3510.002 |
| blue | 3 | 6B3510.102 |
| black | 3 | 6B3510.202 |
| yellow | 4 | 6B3510.001 |
| blue | 4 | 6B3510.101 |
| black | 4 | 6B3510.201 |



Optional roller colours: yellow, blue, black
Different models: 4, 6 or 8 rollers
Roller material: PVC

Bended axle with rollers

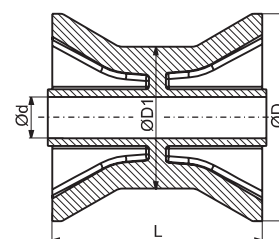
| Colour | Axle (pcs) | Art. number |
|--------|------------|-------------|
| yellow | 1 | 6B3508.001 |
| blue | 1 | 6B3508.101 |
| black | 1 | 6B3508.201 |





Bow rollers 3"

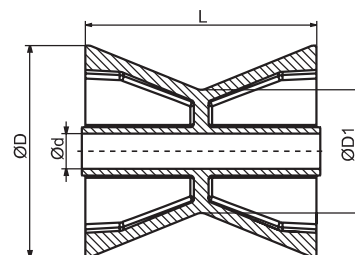
| Model | Size (mm) | Colour | Art. number |
|---------------|------------------------|--------|-------------|
| Bow roller 3" | D=73 D1=49 d=14,5 L=72 | yellow | 6X1064.012 |
| Bow roller 3" | D=73 D1=49 d=14,5 L=72 | blue | 6X1064.013 |
| Bow roller 3" | D=73 D1=49 d=14,5 L=72 | black | 6X1064.029 |



Material: PVC Sha 93

Bow rollers 3,5"-4"

| Model | Size (mm) | Colour | Art. number |
|-----------------|--------------------------|--------|-------------|
| Bow roller 3,5" | D=89 D1=71,5 d=14,3 L=97 | blue | 6X1643.001 |
| Bow roller 3,5" | D=89 D1=71,5 d=14,3 L=97 | yellow | 6X1643.002 |
| Bow roller 3,5" | D=89 D1=71,5 d=14,3 L=97 | black | 6X1643.003 |
| Bow roller 4" | D=87 D1=50 d=14,5 L=95 | blue | 6X1064.014 |
| Bow roller 4" | D=87 D1=50 d=14,5 L=95 | yellow | 6X1065.002 |
| Bow roller 4" | D=87 D1=50 d=14,5 L=95 | black | 6X1064.030 |

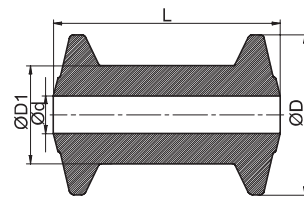




Keel rollers 4"

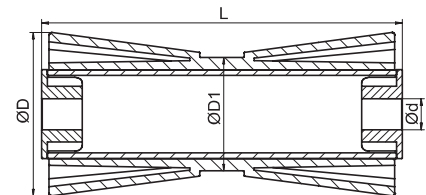
| Model | Size (mm) | Colour | Art. number |
|----------------|------------------------|--------|-------------|
| Keel roller 4" | D=68,5 D1=42 d=16 L=98 | blue | 6X1064.028 |
| Keel roller 4" | D=68,5 D1=42 d=16 L=98 | yellow | 6X1064.035 |
| Keel roller 4" | D=68,5 D1=42 d=16 L=98 | black | 6X1064.034 |

Material: PVC ShA 93



Keel rollers 5"-12"

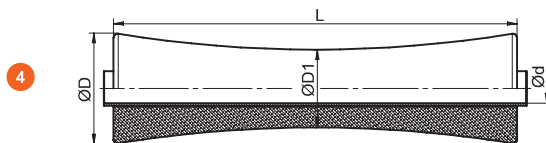
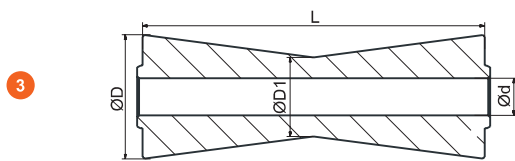
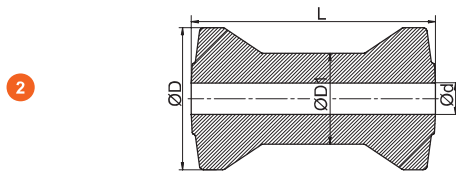
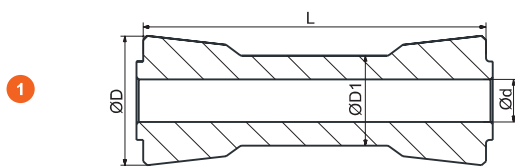
| Model | Size (mm) | Colour | Art. number |
|-----------------|-------------------------|--------|-------------|
| Keel roller 5" | D=79 D1=58,5 d=17 L=133 | blue | 6X1064.036 |
| Keel roller 5" | D=79 D1=58,5 d=17 L=133 | yellow | 6X1064.038 |
| Keel roller 5" | D=79 D1=58,5 d=17 L=133 | black | 6X1064.039 |
| Keel roller 8" | D=90 D1=61 d=17 L=194 | blue | 6X1064.018 |
| Keel roller 8" | D=90 D1=61 d=17 L=194 | yellow | 6X1064.004 |
| Keel roller 8" | D=90 D1=61 d=17 L=194 | black | 6X1064.031 |
| Keel roller 10" | D=93 D1=61 d=17 L=259 | blue | 6X1064.019 |
| Keel roller 10" | D=93 D1=61 d=17 L=259 | yellow | 6X1064.005 |
| Keel roller 10" | D=93 D1=61 d=17 L=259 | black | 6X1064.032 |
| Keel roller 12" | D=96 D1=62 d=17 L=305 | blue | 6X1064.020 |
| Keel roller 12" | D=96 D1=62 d=17 L=305 | yellow | 6X1064.006 |
| Keel roller 12" | D=96 D1=62 d=17 L=305 | black | 6X1064.033 |





Keel rollers

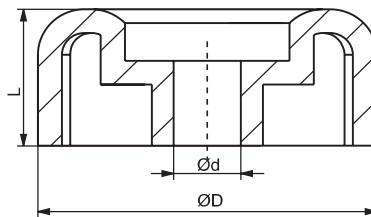
| N° | Model | Size (mm) | Colour | Material | Art. number |
|----|------------------|-------------------------|--------|------------|-------------|
| 1 | Keel roller 6" | D=58 D1=40,5 d=19 L=154 | black | PVC ShA 95 | 6X1064.040 |
| 2 | Keel roller 7" | D=121 D1=70 d=17 L=197 | blue | PVC ShA 95 | 6X1064.026 |
| 3 | Keel roller 7,5" | D=68 D1=43 d=21 L=188 | black | PA6 GF30 | 6X1064.043 |
| 4 | Keel roller 12" | D=80 D1=56 d=21 L=290 | black | PVC ShA 95 | 6X1064.037 |



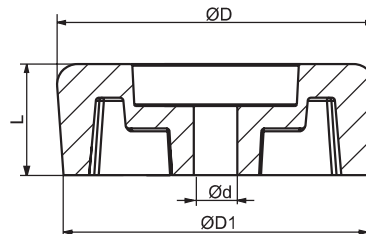


End caps & end bells

| Model | Size (mm) | Colour | Art. number |
|------------|--------------------|--------|-------------|
| End cap 3" | D=72,5 d=14,3 L=30 | blue | 6X1067.010 |
| End cap 3" | D=72,5 d=14,3 L=30 | yellow | 6X1067.001 |
| End cap 3" | D=72,5 d=14,3 L=30 | black | 6X1067.025 |
| End cap 4" | D=88 d=14,3 L=35 | blue | 6X1067.009 |
| End cap 4" | D=88 d=14,3 L=35 | yellow | 6X1067.008 |
| End cap 4" | D=88 d=14,3 L=35 | black | 6X1067.024 |

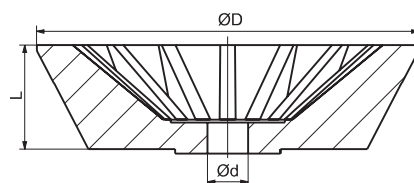


| Model | Size (mm) | Colour | Art. number |
|--------------|------------------------|--------|-------------|
| End cap 3,5" | D=94 D1=91,5 d=13 L=33 | blue | 6X1067.028 |
| End cap 3,5" | D=94 D1=91,5 d=13 L=33 | yellow | 6X1067.029 |
| End cap 3,5" | D=94 D1=91,5 d=13 L=33 | black | 6X1067.030 |



Material: PVC ShA 93

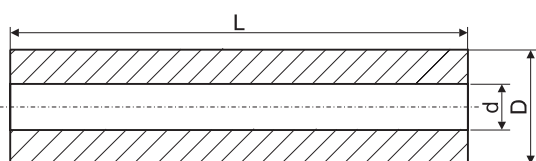
| Model | Size (mm) | Colour | Art. number |
|-------------|-----------------|--------|-------------|
| End bell 3" | D=120 d=14 L=39 | blue | 6X1066.003 |
| End bell 3" | D=120 d=14 L=39 | yellow | 6X1066.001 |
| End bell 3" | D=120 d=14 L=39 | black | 6X1066.005 |
| End bell 4" | D=130 d=14 L=40 | blue | 6X1066.004 |
| End bell 4" | D=130 d=14 L=40 | yellow | 6X1066.002 |
| End bell 4" | D=130 d=14 L=40 | black | 6X1066.006 |





Side guide rollers 2,5"x8 3/4"

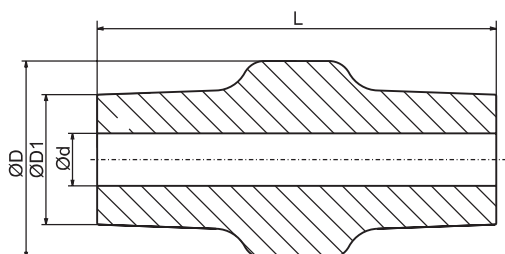
| Size (mm) | Colour | Art. number |
|-----------------|--------|-------------|
| D=63 d=19 L=220 | blue | 6X1065.026 |
| D=63 d=19 L=220 | yellow | 6X1065.025 |
| D=63 d=19 L=220 | black | 6X1065.024 |



Material: PVC ShA 93

Side guide rollers ROTO

| Size (mm) | Colour | Art. number |
|------------------------|--------|-------------|
| D=87 D1= 58 d=23 L=177 | blue | 6X1067.036 |
| D=87 D1= 58 d=23 L=177 | yellow | 6X1067.035 |
| D=87 D1= 58 d=23 L=177 | black | 6X1067.037 |

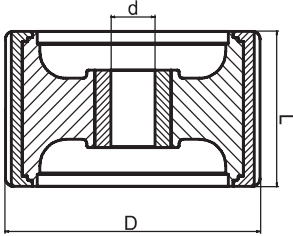




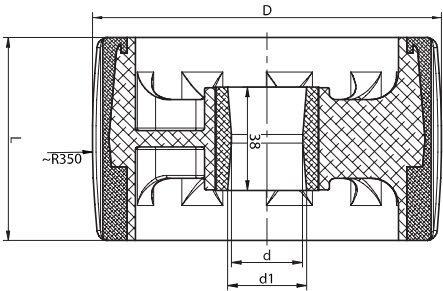
ROLLERS & PLASTIC PARTS

Wobble rollers 5"

| Size (mm) | Colour | Art. number |
|-----------------------|--------|-------------|
| D=128 d=26 d1=29 L=75 | white | 6X1067.099 |
| D=128 d=20,5 L=75 | yellow | 6X1067.022 |
| D=128 d=20,5 L=75 | black | 6X1067.014 |
| D=128 d=22 L=75 | blue | 6X1067.021 |
| D=128 d=22 L=75 | yellow | 6X1067.023 |
| D=128 d=22 L=75 | black | 6X1067.027 |
| D=128 d=26 L=75 | blue | 6X1067.015 |
| D=128 d=26 L=75 | yellow | 6X1067.011 |
| D=128 d=26 L=75 | black | 6X1067.026 |

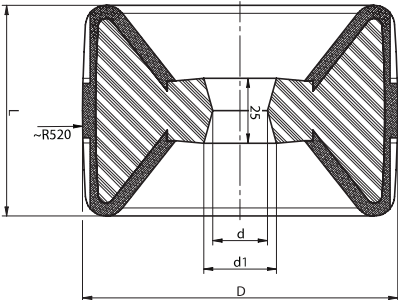


Material: PVC ShA 93



Wobble rollers

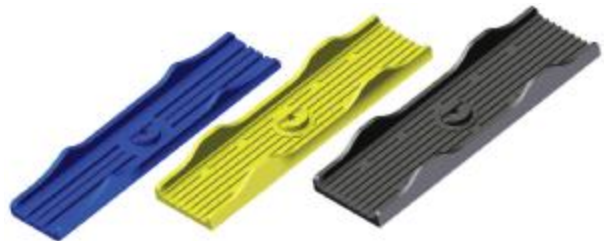
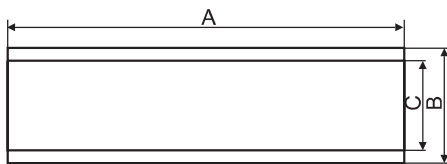
| Size (mm) | Colour | Art. number |
|-----------------------|--------|-------------|
| D=121 d=21 d1=28 L=81 | black | 6S6029.001 |
| D=121 d=21 d1=28 L=81 | grey | 6S6029.002 |





Keel pad

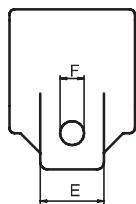
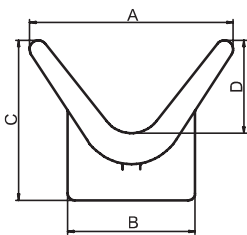
| Model | Size (mm) | Colour | Art. number |
|-------------------|-----------------|--------|-------------|
| Keel pad 2"x12" | A=300 B=67 C=54 | blue | 6X1065.028 |
| Keel pad 2"x12" | A=300 B=67 C=54 | yellow | 6X1065.029 |
| Keel pad 2"x12" | A=300 B=67 C=54 | black | 6X1065.030 |
| Keel pad 2,5"x12" | A=300 B=75 C=64 | blue | 6X1065.012 |
| Keel pad 2,5"x12" | A=300 B=75 C=64 | yellow | 6X1065.011 |
| Keel pad 2,5"x12" | A=300 B=75 C=64 | black | 6X1065.023 |
| Keel pad 3"x12" | A=300 B=92 C=80 | blue | 6X1065.010 |
| Keel pad 3"x12" | A=300 B=92 C=80 | yellow | 6X1065.009 |
| Keel pad 3"x12" | A=300 B=92 C=80 | black | 6X1065.022 |



Material: PVC ShA 93

V bow stop

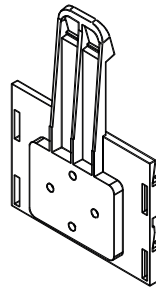
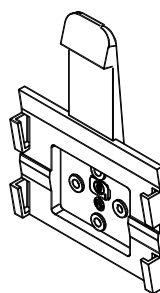
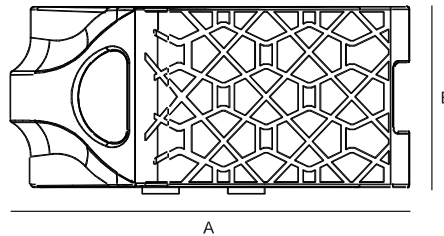
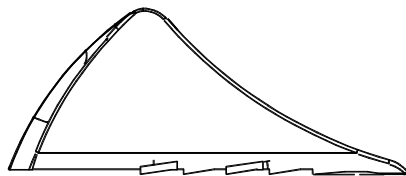
| Size (mm) | Colour | Art. number |
|----------------------------------|--------|-------------|
| A=115 B=72 C=90 D=52,5 E=36 F=13 | blue | 6X1065.016 |
| A=115 B=72 C=90 D=52,5 E=36 F=13 | yellow | 6X1065.018 |
| A=115 B=72 C=90 D=52,5 E=36 F=13 | black | 6X1065.017 |





Plastic chock and bracket

| Type | Length A (mm) | Height H (mm) | Width B (mm) | Colour | Load capacity | Art. number | Material |
|---------|------------------|------------------|-----------------|--------|----------------|-------------|----------|
| Chock | 237 | 101 | 110 | black | 800 kg/ wheel | 6BH886.001 | PP |
| Bracket | 179 | 20,5 | 125 | black | - | 6BH887.001 | PP |
| Chock | 237 | 101 | 110 | white | 800 kg/ wheel | 6BH886.002 | PP |
| Bracket | 179 | 20,5 | 125 | white | - | 6BH887.002 | PP |
| Chock | 237 | 101 | 110 | black | 1000 kg/ wheel | 6BJ653.001 | PA |
| Bracket | 179 | 20,5 | 125 | black | - | 6BJ654.001 | PA |
| Chock | 237 | 101 | 110 | white | 1000 kg/ wheel | 6BJ653.002 | PA |
| Bracket | 179 | 20,5 | 125 | white | - | 6BJ654.002 | PA |



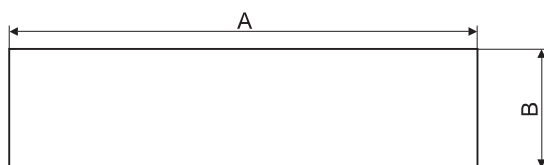


Channel glide bunk cover

| Length A (mm) | Height H (mm) | Width B (mm) | Colour | Art. number |
|------------------|------------------|-----------------|-----------|-------------|
| 2000 | 43 | 98 | grey | 6S60132000 |
| 2200 | 43 | 98 | grey | 6S60132200 |
| 3000 | 43 | 98 | grey | 6S60133000 |
| 2000 | 43 | 148 | grey | 6S60142000 |
| 2200 | 43 | 148 | grey | 6S60142200 |
| 3000 | 43 | 148 | grey | 6S60143000 |
| 2000 | 43 | 98 | blue | 6S66582000 |
| 2200 | 43 | 98 | blue | 6S66582200 |
| 3000 | 43 | 98 | blue | 6S66583000 |
| 2000 | 43 | 148 | blue | 6S66592000 |
| 2200 | 43 | 148 | blue | 6S66592200 |
| 3000 | 43 | 148 | blue | 6S66593000 |
| 2000 | 43 | 98 | rubin red | 6S68472000 |
| 2200 | 43 | 98 | rubin red | 6S68472200 |
| 3000 | 43 | 98 | rubin red | 6S68473000 |



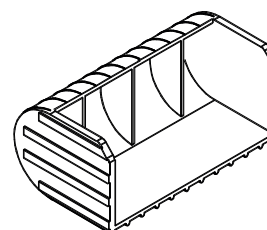
Material: PP



Our plastic bunk covers attach over bunks and lets your boat slide on and off the trailer with ease.

Bunk cover end

| Height H (mm) | Width B (mm) | Colour | Art. number |
|------------------|-----------------|-----------------|-------------|
| 43 | 98 | blue | 6S6372.001 |
| 43 | 98 | grey | 6S6372.002 |
| 43 | 98 | ruby red | 6S6372.003 |
| 43 | 98 | anthracite grey | 6S6372.004 |
| 43 | 148 | blue | 6S6373.001 |
| 43 | 148 | grey | 6S6373.002 |
| 43 | 148 | ruby red | 6S6373.003 |
| 43 | 148 | anthracite grey | 6S6373.004 |





PLASTIC PARTS

SPARE PARTS FOR HORSE TRAILERS

When the sun heats up the interior of the trailer, the air flows through the sunroof window. The wind creates a vacuum, the roof window suction effect is created, thus the warm air can flow out through the roof window of the trailer. The sunroof can be opened by pushing it upwards. Our sunroof has a lifetime guarantee, except the glass.

| N° | Type | Cutting size (mm) | Window material | Art. number |
|----|--------------|-------------------|-----------------|-------------|
| 1 | SUN Lux | 710x345 / R60 | plastic | 6X0638.006 |
| 2 | Zenit | 763x397 / R60 | plastic | 6X0638.010 |
| 3 | LA 4LK003_00 | 480x330 / R40 | plastic | 6X1729.002 |
| 4 | BA 4BK001_00 | 790x590 / R100 | plastic | 6X0638.008 |
| 5 | BA 4BK003_00 | 790x590 / R100 | glass | 6X0638.004 |
| 6 | BA 4BK002_00 | 914x537 / R100 | plastic | 6X0638.011 |
| 7 | BA 4BK008_00 | 790x590 / R100 | metal | 6X0638.015 |

Frame material: plastic



1



2



3



4 6



5

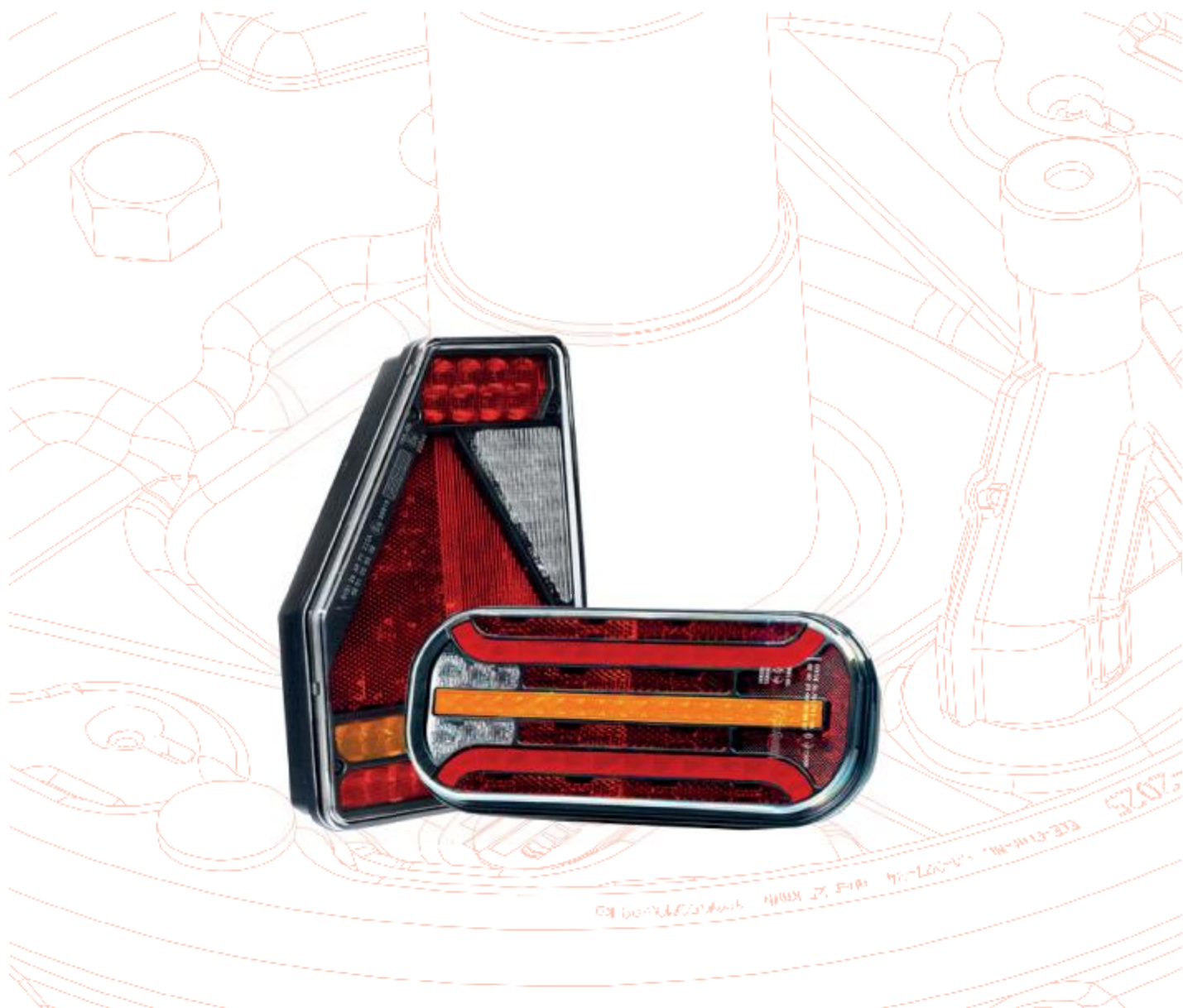


7

Separation bar, welded

Hot-dip galvanized
Available in different sizes
Art. number: **6B7058.001**





LIGHTING

www.autoflex.hu



BOSAL COMFORT PRO II & III

2 new bicycle carriers in different designs from two up to three bicycles. With a maximum load of 60 kg, the bicycle carriers are also suitable for transporting up to two e-bicycles. They can easily be mounted on the towbar using a fast tensioner.

Sturdy frame holders securely fix the bicycles and additionally protect them from theft.

The optionally available ride-on ramp makes it easy to load the bicycles, which is particularly convenient for e-bicycles and pedelecs.

Both models are equipped with wide wheel rails and stoppers which are very suitable for wide bicycle tires. Even wider wheel stoppers are available for fatbikes.

All systems are delivered assembled and a storage bag for space-saving storage in the trunk, garage or basement is also available separately.

- **For up to 2 or 3 bicycles**
- **Comfortable, practical and helpful**

Bosal Comfort Pro II

Art. number: 6C8116.001



Bosal Comfort Pro III

Art. number: 6C8117.001





REAR 3-FUNCTION LED LIGHT

Universal LED rear lamp:

- has a low power consumption
- European E9 homologation
- the lamp is homologated to be mounted horizontally and vertically as well
- ElectroMagnetic Compatibility - EMC certificate
- shock-resistant - PC lampshade
- reverse polarity protection system

Lamp functions:

- rear position light
- stop light
- indicator

Technical specification:

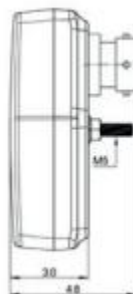
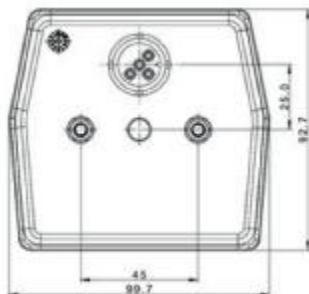
- supply voltage: 12-15V DC
- operating temperature: -40°C to +55°C
- lamp is resistant to any weather conditions
- lamp is fully airtight IP68

Power consumption:

- rear position light + license plate light: 12V = 0,1A
- version without number plate light: 12V = 0,05A
- stop light: 12V = 0,2A
- indicator: 12V = 0,2A

FT-222 LED

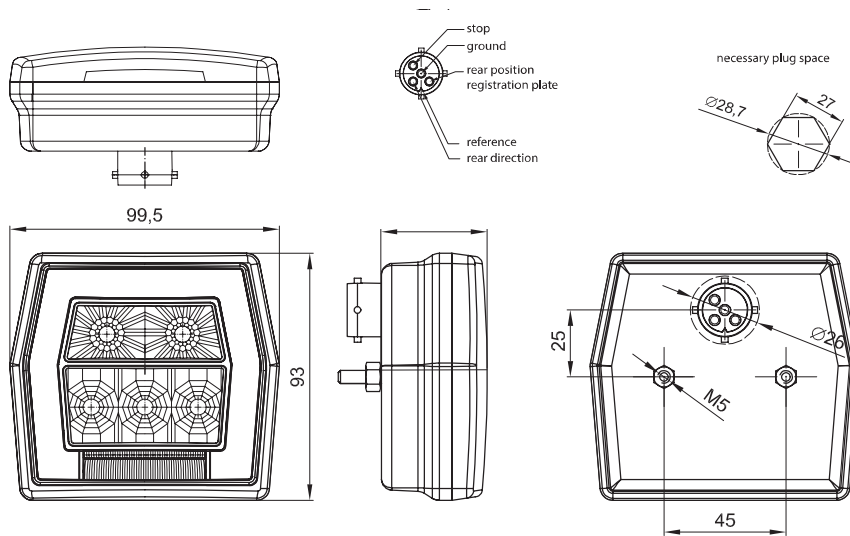
| Description | Functions | Foreign key | Art. number |
|--|---|----------------------|-------------|
| Universal LED rear lamp 12V, 3-functional 5PIN bayonet connector | stop/ position/ indicator | FT-222 LED bayonet | 6X1354,322 |
| Universal LED rear lamp 12V, 4-functional 5PIN bayonet connector | stop/ position/ indicator with numberplate lamp | FT-222 T LED bayonet | 6X1354,332 |





FT-121 LED

| Description | Functions | Foreign key | Art. number |
|---|---------------------------|--------------|-------------|
| Universal LED rear lamp 12-36V, 3-functional, colorless lampshade, yellow indicator, 5PIN bayonet connector | stop/ position/ indicator | FT-121 LED B | 6X1354,199 |





REAR 7-FUNCTION LED LIGHT

The 7-function universal LED light:

- has a low power consumption
- European homologation E9
- Electro Magnetic Compatibility (EMC) homologation
- shock-resistant - PC lampshade
- reverse polarity protection system

Lamp functions:

- rear running light
- license plate light
- stop light
- indicator
- fog light
- reflector
- reverse light

Technical specification:

- supply voltage: 12-36V DC
- operating temperature: -40°C to +55°C
- resistant to any weather condition
- fully airtight

Power consumption:

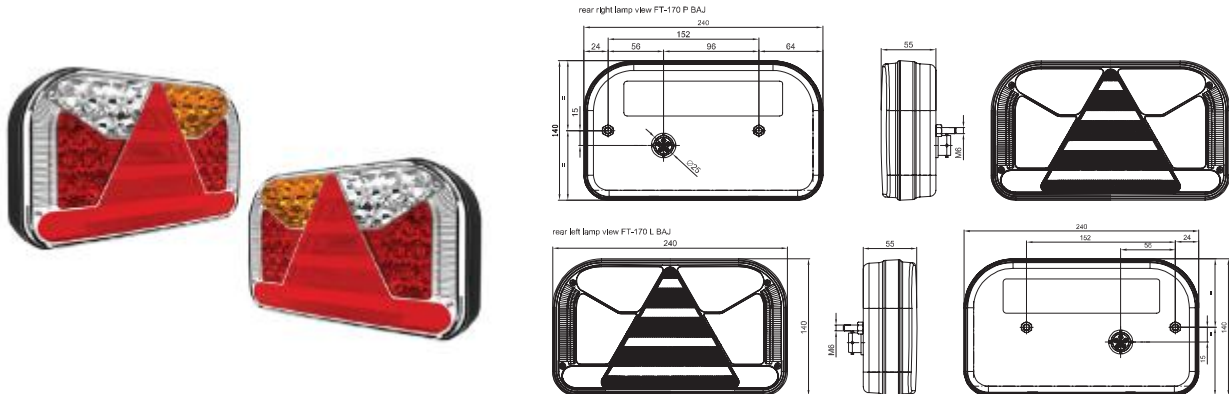
- rear running light + license plate light: 12V/ 24V = 0,25A/ 0,2A
- stop light: 12V/ 24V = 0,08A/ 0,08A
- indicator: 12V/ 24V = 0,12A/ 0,12A
- reverse light: 12V/ 24V = 0,2A/ 0,1A
- fog light: 12V/ 24V = 0,15A/ 0,08A

Power consumption/ estimated power:

- rear running light + license plate light: 12/ 24V = 3W/ 5W
- stop light: 12V/ 24V = 1W/ 2W
- indicator: 12V/ 24V = 1,5W/ 3W
- reverse light: 12/ 24V = 2,5W/ 2,5W
- fog light: 12V/ 24V = 2W/ 2W

FT-170 LED

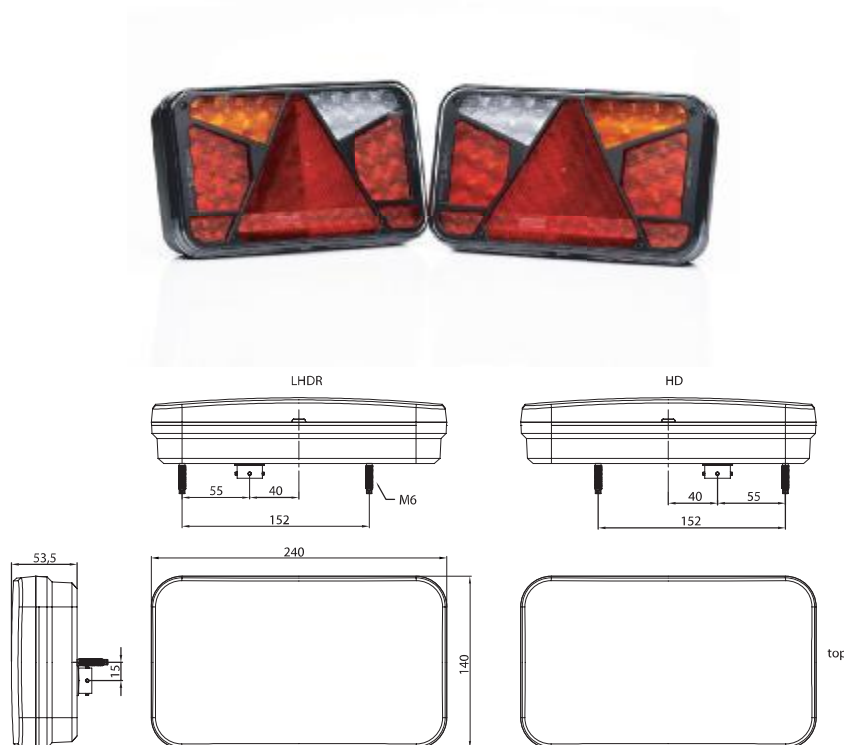
| Description | Functions | Foreign key | Art. number |
|---|--|-----------------|-------------|
| Universal rear LED light 12-36V, 7-function, left side plate light, 6PIN bayonet connector | - rear running light - license plate light - stop light - indicator | FT-170 L TB LED | 6X1354.230 |
| Universal rear LED light 12-36V, 7-function, right side plate light, 6PIN bayonet connector | - fog light - reflector - reverse light | FT-170 L TB LED | 6X1354.231 |





FT-370 LED

| Description | Functions | Foreign key | Art. number |
|--|---|--|-------------|
| Universal rear lamp LED 12-36V, left with reflective triangle, 6PIN bayonet connector | stop/ position/ fog/ indicator/ reverse | FT-370 L NT LED bayonet 6PIN | 6X1354.327 |
| Universal rear lamp LED 12-36V, right with reflective triangle, 6PIN bayonet connector | stop/ position/ fog/ indicator/ reverse | FT-370 P NT LED bayonet 6PIN | 6X1354.319 |
| Universal rear lamp LED 12V, left with reflective triangle, p PIN bayonet connector with LED control system | stop/ position/ fog/ indicator/ reverse | FT-370 L NT LED O bayonet 6PIN 12V | 6X1354.330 |
| Universal rear lamp LED 12V, right with reflective triangle, p PIN bayonet connector with LED control system | stop/ position/ fog/ indicator/ reverse | FT-370 P NT LED O bayonet 6PIN 12V | 6X1354.331 |





REAR MULTIFUNCTION LIGHT FT-270 LED

| Description | Functions | Foreign key | Art. number |
|--|--------------------------------------|---------------------------------------|-------------|
| Universal LED rear lamp, left with LED reflector triangle 12V, 5-functional, without number plate light, 1m wire loom | stop/ position/ fog/ indicator | FT-270 L TB LED PM bayonet 5PIN | 6X1354.258 |
| Universal LED rear lamp, left with LED reflector triangle 12V, 5-functional, without number plate light, 5PIN bayonet connector | stop/ position/ fog/ indicator | FT-270 P TB LED COF bayonet 5PIN | 6X1354.259 |
| Universal LED rear lamp, right with LED reflector triangle 12V, 5-functional, without number plate light, 1m wire loom | stop/ position/ indicator/ reversing | FT-270 L NT LED PM bayonet 5PIN | 6X1354.325 |
| Universal LED rear lamp, right with LED reflector triangle 12V, 5-functional, without number plate light, 5PIN bayonet connector | stop/ position/ indicator/ reversing | FT-270 P NT LED PM bayonet 5PIN | 6X1354.326 |
| Universal LED left rear lamp with reflective triangle 12V, 6-functional, with side number plate light, 5PIN bayonet connector with LED system control | stop/ position/ fog/ indicator | FT-270 P TB LED O COF bayonet 5PIN | 6X1354.335 |
| Universal LED right rear lamp with reflective triangle 12V, 6-functional, with side number plate light, 5PIN bayonet connector with LED system control | stop/ position/ indicator/ reversing | FT-270 L TB LED O PM bayonet 5PIN | 6X1354.336 |

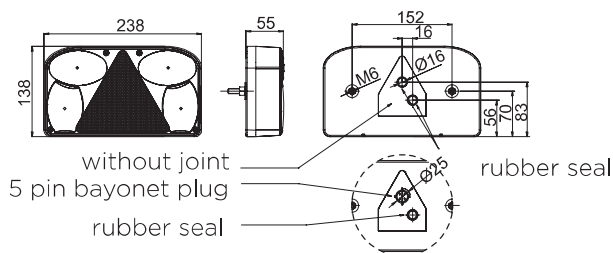




REAR LIGHT WITH REFLECTING TRIANGLE

FT-088

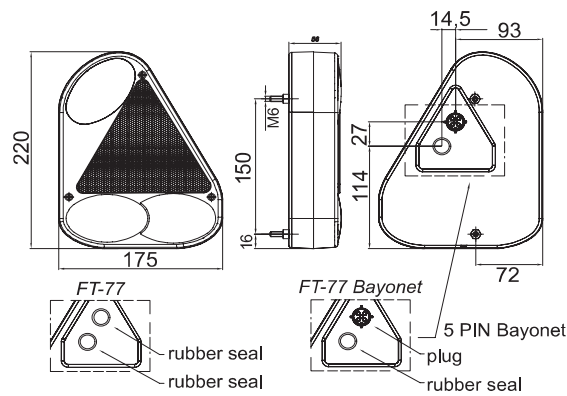
| Description | Functions | Foreign key | Art. number |
|---|---|---------------|-------------|
| Left rear lamp with fog light and 5PIN bayonet connector | stop light, indicator, rear running light, license plate light, fog light, retro reflector, cables and bulbs assembled | FT-088 LPM B | 6X1354.014 |
| Right rare lamp with reverse light and 5PIN bayonet connector | stop light, indicator, rear running light, license plate light, reverse light, retro reflector, cables and bulbs assembled | FT-088 PCOF B | 6X1354.015 |
| Left rear lamp with reverse light and bayonet connector | stop light, indicator, rear running light, license plate light, reverse light, retro reflector, cables and bulbs are assembled, 5PIN bayonet plug | FT-088 LCOF B | 6X1354.025 |
| Right rare lamp with fog light and 5PIN bayonet connector | stop light, indicator, rear running light, license plate light, fog light, retro reflector, cables and bulbs assembled | FT-088 PPM B | 6X1354.026 |
| Left lamp with fog light and license plate light | stop light, indicator, rear running light, license plate light, fog light, retro reflector, mass cable assembled, bulbs not included | FT-088 LPM | 6X1354.037 |
| Right rare lamp with reverse light and license plate light | stop light, indicator, rear running light, license plate light, reverse light, retro reflector, mass cable assembled, bulbs not included | FT-088 PCOF | 6X1354.038 |
| Left rear lamp with reverse light and license plate light | stop light, indicator, rear running light, license plate light, reverse light, retro reflector, mass cable assembled, bulbs not included | FT-088 LCOF | 6X1354.039 |
| Right rare lamp with fog light and license plate light | stop light, indicator, rear running light, license plate light, fog light, retro reflector, mass cable assembled, bulbs not included | FT-088 PPM | 6X1354.040 |





FT-077

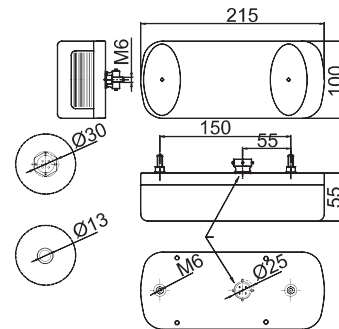
| Description | Functions | Foreign key | Art. number |
|--|--|--------------|-------------|
| Left lamp with a fog light | stop/ indicator/ rear running/ license plate/ fog/ retro/ mass cable assembled/ bulbs not included | FT-077 LPM | 6X1354.051 |
| Right lamp with a fog light | stop/ indicator/ rear running/ license plate/ fog/ retro/ mass cable assembled/ bulbs not included | FT-077 PPM | 6X1354.052 |
| Left lamp with a fog light & 5PIN bayonet connector | stop/ indicator/ rear running/ license plate/ fog/ retro/ cables and bulbs assembled | FT-077 LPM B | 6X1354.115 |
| Right lamp with a fog light & 5PIN bayonet connector | stop/ indicator/ rear running/ license plate/ fog/ retro/ cables and bulbs assembled | FT-077 PPM B | 6X1354.054 |





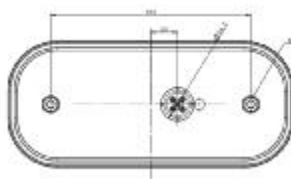
TRAILER REAR LIGHT MD-036

| Description | Functions | Foreign key | Art. number |
|---|--|-------------|-------------|
| Left rear lamp with a fog light, license plate light, 5PIN bayonet connector and bulb | stop/ indicator/ rear running/ license plate/ fog/ retro/ cables and bulbs assembled | MD-036 LB B | 6X1354.062 |
| Right rare lamp with white lampshade, 5PIN bayonet connector and bulb | stop/ indicator/ rear running/ license plate/ fog/ retro/ cables and bulbs assembled | MD-036 PB B | 6X1354.063 |



FT-230 LED

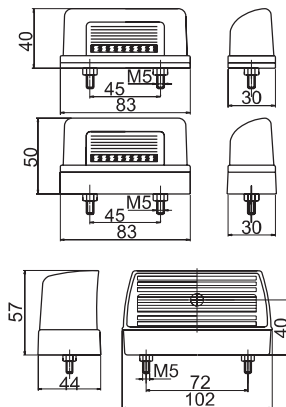
| Description | Functions | Foreign key | Art. number |
|--|--|--------------------------------|-------------|
| Universal LED rear lamp 12-36V, 6-functional, 5PIN bayonet connector | stop/ position/ indicator/ reversing/ number plate light/ reflector/ dynamic indicator | FT-230 COF LED DI bayonet 5PIN | 6X1354.323 |
| Universal LED rear lamp 12-36V, 6-functional, 5PIN bayonet connector | stop/ position/ indicator/ reversing/ number plate light/ reflector/ dynamic indicator | FT-230 PM LED DI bayonet 5PIN | 6X1354.324 |





License plate light

| Description | Functions | Foreign key | Art. number |
|------------------------|---|--------------------|-------------|
| License plate LED lamp | license plate LED lamp with a cable | FT-016 LED | 6X1354.093 |
| License plate LED lamp | license plate LED lamp with a cable and a QS075 connector | FT-016 LED QS075 | 6X1354.340 |
| License plate LED lamp | license plate LED lamp with a cable and a QS075 connector | FT-016/1 LED QS075 | 6X1534.181 |



UNIVERSAL POSITION LIGHT

| Description | Functions | Foreign key | Art. number |
|--------------------------|---|---------------------|-------------|
| White LED clearance lamp | white LED clearance lamp with a reflector and a cable | FT-001 B LED | 6X1354.237 |
| White LED clearance lamp | white LED clearance lamp with a reflector, an angle holder | FT-001 BI LED | 6X1354.290 |
| White LED clearance lamp | white LED clearance lamp with a reflector, an angle holder, a cable and a QS075 connector | FT-001 BI LED QS075 | 6X1354.341 |





Clearance LED light

| Description | Functions | Foreign key | Art. number |
|-------------------------------|--|-------------|-------------|
| End outline marking LED light | marking/ clearance light/ retro reflector (white+red) | FT-009 D | 6X1354.046 |
| End outline marking LED light | marking/ clearance light/ retro reflector (white+red) | FT-009 F | 6X1354.047 |

The 2-functional LED clearance lamp is fulfilling highest quality standards.

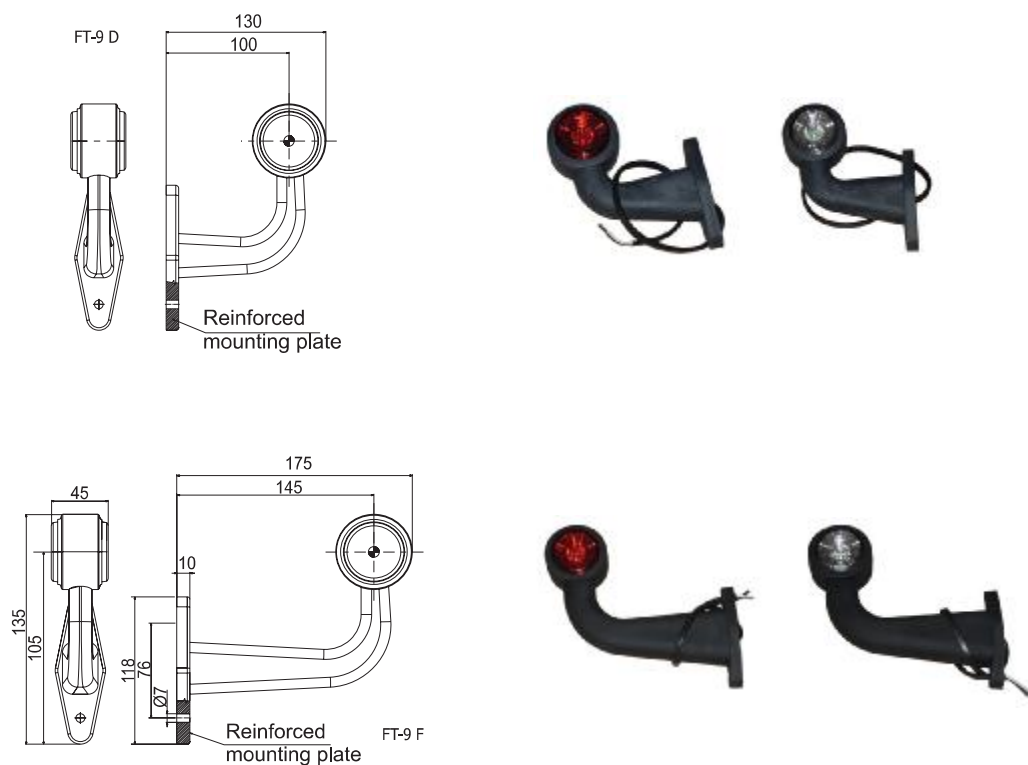
- mounted with rubber bracket integrated flat cable 2x0,75 mm²
- voltage supply: 12-36V DC
- optional polarity connection

Extremely small power consumption:

- 12V circuit: 12V (0,04A) = 0,5W
- 24V circuit: 24V (0,04A) = 1W

Working temperature:

- -40°C to +55°C





UNIVERSAL POSITION LED LIGHT

| Description | Functions | Foreign key | Art. number |
|-----------------------------------|---|-------------|-------------|
| Universal position LED light | marking/ clearance light, white | MD-013 B+K | 6X1354.044 |
| Universal side marking LED light | marking/ clearance light, yellow | MD-013 Z+K | 6X1354.045 |
| Universal position LED light | marking/ clearance light, white | FT-019 B | 6X1354.087 |
| Universal side marking LED light | marking/ clearance light, yellow | FT-019 Z | 6X1354.088 |
| Universal rear position LED light | marking/ clearance light, red | FT-019 C | 6X1354.089 |
| Universal position LED light | marking/ clearance light, holding bracket, white | FT-019 B+K | 6X1354.090 |
| Universal side marking LED light | marking/ clearance light, holding bracket, yellow | FT-019 Z+K | 6X1354.091 |
| Universal rear position LED light | marking/ clearance light, holding bracket, red | FT-019 C+K | 6X1354.092 |

Universal side marking amber LED light with reflector is fullfilling highest quality standards.

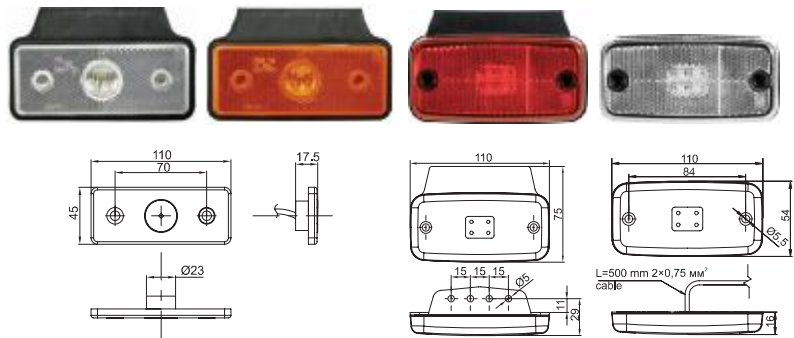
- holding bracket
- integrated cable 2x0,75 mm²
- voltage range 12-30V DC
- non-polarized

Extreme small power consumption:

- 12V circuit 12V (0,04A) = 0,5W
- 24V circuit 24V (0,04A) = 1W

Working temperature:

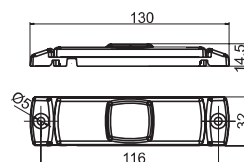
- -40°C to +100°C



| Description | Functions | Foreign key | Art. number |
|-----------------------------------|----------------------------------|-------------|-------------|
| Universal position LED light | marking/ clearance light, white | FT-027 B | 6X1354.096 |
| Universal side marking LED light | marking/ clearance light, yellow | FT-027 Z | 6X1354.097 |
| Universal rear position LED light | marking/ clearance light, red | FT-027 C | 6X1354.098 |



| Description | Functions | Foreign key | Art. number |
|-----------------------------------|----------------------------------|-------------|-------------|
| Universal position LED light | marking/ clearance light, white | FT-017 B | 6X1354.011 |
| Universal side marking LED light | marking/ clearance light, yellow | FT-017 Z | 6X1354.094 |
| Universal rear position LED light | marking/ clearance light, red | FT-017 C | 6X1354.095 |

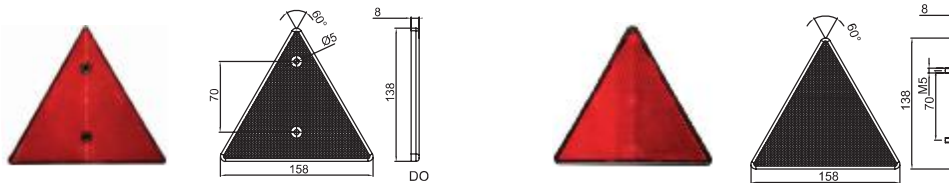




REFLECTING DEVICES

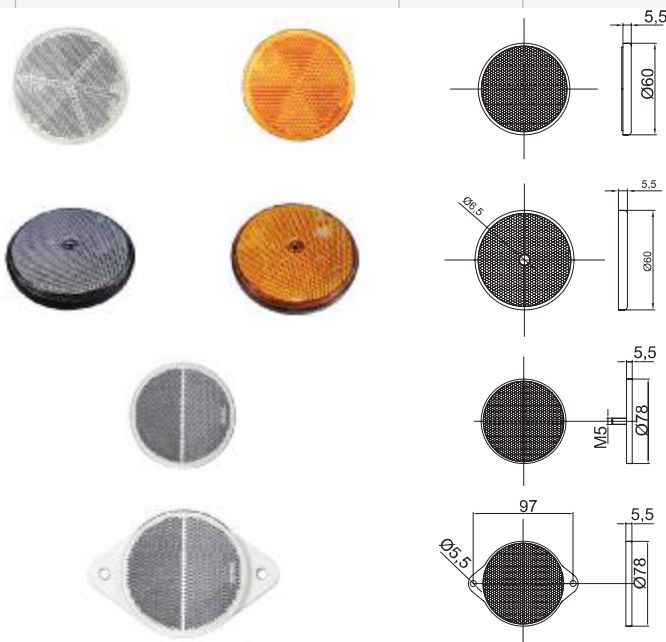
Triangular reflector

| Description | Functions | Foreign key | Art. number |
|----------------------------|-----------------------|-------------|-------------|
| Triangular retro reflector | screw mounting, red | DOB-031 | 6X1354.005 |
| Triangular retro reflector | with fixing bolt, red | DOB-030 A | 6X1354.045 |



Round reflector

| Description | Functions | Size | Foreign key | Art. number |
|-----------------------|--------------------------------|--------|-------------|-------------|
| Front retro reflector | round with fixing bolt, white | Ø 80mm | DOB-039 AB | 6X1354.060 |
| Side retro reflector | round with fixing bolt, yellow | Ø 80mm | DOB-039 AZ | 6X1354.061 |
| Rear retro reflector | round, screw mounted, red | Ø 80mm | DOB-039 C | 6X1354.072 |
| Front retro reflector | round, screw mounted, white | Ø 80mm | DOB-039 B | 6X1354.027 |
| Side retro reflector | round, screw mounted, yellow | Ø 80mm | DOB-039 Z | 6X1354.028 |
| Front retro reflector | round, self-adhesive, white | Ø 60mm | DOB-032 B | 6X1354.029 |
| Side retro reflector | round, self-adhesive, yellow | Ø 60mm | DOB-032 Z | 6X1354.030 |
| Front retro reflector | round, screw mounted, white | Ø 60mm | DOB-033 B | 6X1354.023 |
| Side retro reflector | round, screw mounted, yellow | Ø 60mm | DOB-033 Z | 6X1354.032 |





Rectangular reflector

| Description | Functions | Foreign key | Art. number |
|-----------------------|------------------------------------|-------------|-------------|
| Front retro reflector | rectangular, self-adhesive, white | DOB-035 B | 6X1354.008 |
| Side retro reflector | rectangular, self-adhesive, yellow | DOB-035 Z | 6X1354.009 |
| Side retro reflector | rectangular, screw mounted, yellow | DOB-034 Z | 6X1354.058 |
| Front retro reflector | rectangular, screw mounted, white | DOB-034 B | 6X1354.059 |



ACCESSORIES

Plug, socket and holder

| N° | Type | Rated load | Material | Art. number |
|----|-------------------|------------|--------------------|-------------|
| 1 | 7PIN plug | 12V /24V | plastic housing | 6X1766.002 |
| 2 | 7PIN socket | 12V /24V | plastic housing | 6X1766.003 |
| 3 | socket boot | - | solid rubber | 6X1766.004 |
| 4 | 13-7 adapter | 12V /24V | plastic housing | 6X1766.005 |
| 5 | 13PIN socket | 12V /24V | plastic housing | 6X1766.006 |
| 6 | 13PIN plug | 12V /24V | plastic housing | 6X1766.007 |
| 7 | 7-13 adapter | 12V /24V | plastic housing | 6X1766.008 |
| 8 | plug holder | - | FeZn | 6B0891.001 |
| 9 | plug holder | - | stainless steel | 6X1395.003 |
| 10 | 7PIN plug holder | - | spring-steel, FeZn | 6E5098.001 |
| 11 | 13PIN plug holder | - | spring-steel, FeZn | 6E5324.001 |





5-Pole bayonet

| Type | Foreign key | Art. number |
|--|-------------|-------------|
| Bayonet plug for light on the right side | WTY P | 6X1354.064 |
| Bayonet plug for light on the left side | WTY L | 6X1354.065 |



Mounted cable set

| Type | Length | Foreign key | Art. number |
|---|--------------|--------------|-------------|
| 7PIN main cable, fog light on the left side | 4m | IA-040-000 | 6X1354.016 |
| 7PIN main cable, fog light on the left side | 5m | IA-050-000 | 6X1354.017 |
| 7PIN main cable, fog light on the left side | 7m | IA-070-000 | 6X1354.019 |
| 7PIN main cable, fog light on the left side, extensions: L2 | 5m /L2: 3,1m | IIIA-050-031 | 6X1354.066 |
| 7PIN main cable, fog light on the left side, extensions: L2 | 7m /L2: 5,5m | IIIA-070-055 | 6X1354.067 |
| 7PIN main cable, fog light on the left side, extensions: L2 | 8m /L2: 6m | IIIA-080-060 | 6X1354.068 |
| 7PIN main cable, fog light on the left side | 9m | IIIA-090-000 | 6X1354.069 |
| 7PIN main cable, fog light on the left side, extensions: L2 | 7m /L2: 0,2m | IIIA-070-020 | 6X1354.070 |
| 7PIN main cable, fog light on the left side, extensions: L2 | 8m /L2: 0,2m | IIIA-080-020 | 6X1354.071 |

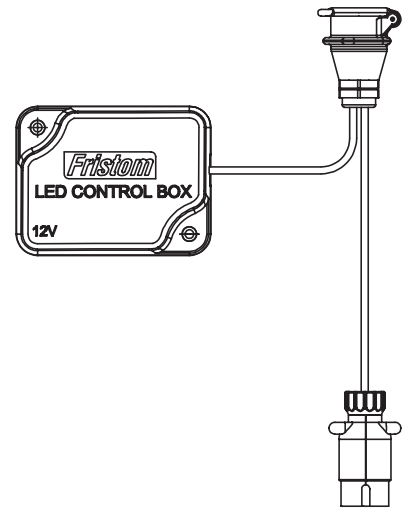




LED CONTROL BOX

The LED control box grants the original trailer light indicator-control system's correct operation for trailers provided with Frisom LED lighting equipment while keeping the LED lighting's most important advantage: energy saving.

| Function | Art. number |
|------------|-------------|
| 7PIN/ 12V | 6X1354.216 |
| 13PIN/ 12V | 6X1354.242 |



Tester for 7PIN plug and socket connection

The tester on one side has the 7PIN plug for the trailer and on the other side the 7PIN socket for the car. The tester quickly indicates if the wiring of the car or the trailer is not working correctly.

Trailer (caravan or bicycle carrier) connection testing:

1. Put the plug in the connection of the tester.
2. Press the yellow button on the side of the tester.
3. If the wiring is right, all the LEDs light up.

LED functions:

1. indicator on the left (yellow)
2. foglight or 12V (blue)
3. mass (white)
4. indicator on the right (green)*
5. rearlight on the right (brown)
6. brake light (red)
7. rearlight on the left (black)

| Description | Function | Art. number |
|-------------------------|-----------|-------------|
| Trailer lighting tester | 7PIN/ 12V | 502207 |

Car /camper connection testing:

1. Plug the tester in the car's socket.
2. Press the yellow button on the side of the tester.
3. If the wiring is working correctly, all the LEDs light up.

***If a LED doesn't light up, the corresponding wire is defective. If all the LEDs light up, the defect is at the vehicle.**





LIGHTING

| Problem | Trailer | Car (when pressing the yellow button) |
|---|---|--|
| Some LEDs do not light up | Wire damaged or bulb defective. Bad contact. | Wire damaged or bulb defective. Bad contact. |
| None of the LEDs light up | Mass wire damaged or all bulbs defective. Check the battery. | Mass wire damaged or all bulbs defective. Check the battery. |
| One or more LEDs are weak or twinkle | Wire damaged or the socket is dirty. | Wire damaged or the socket is dirty. |
| All the LEDs are weak or twinkle | Mass wire damaged. Check the battery. | Mass wire damaged. Check the battery. |
| The lights of the trailer do not light up but the LEDs do | Short circuit in the trailer wiring. The fuses will break. | |





Important notes





NOTES

